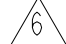
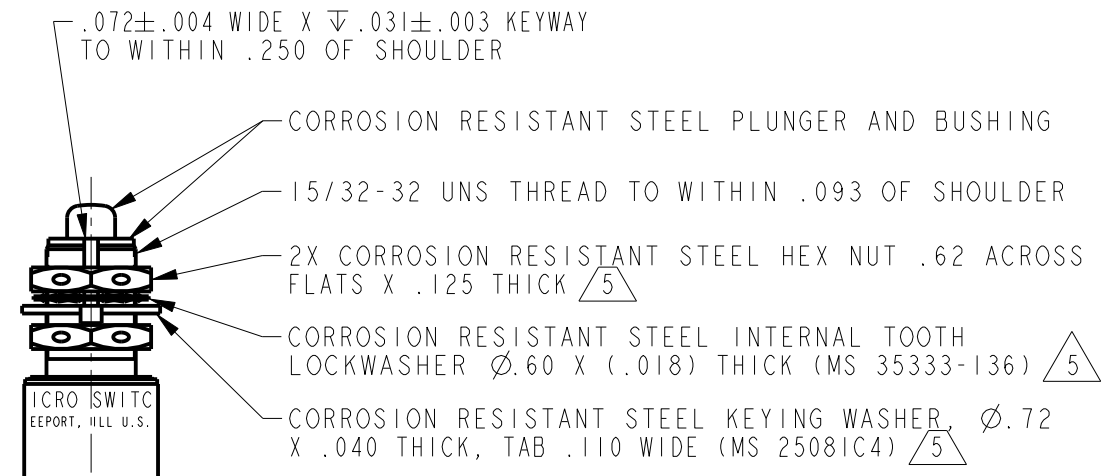
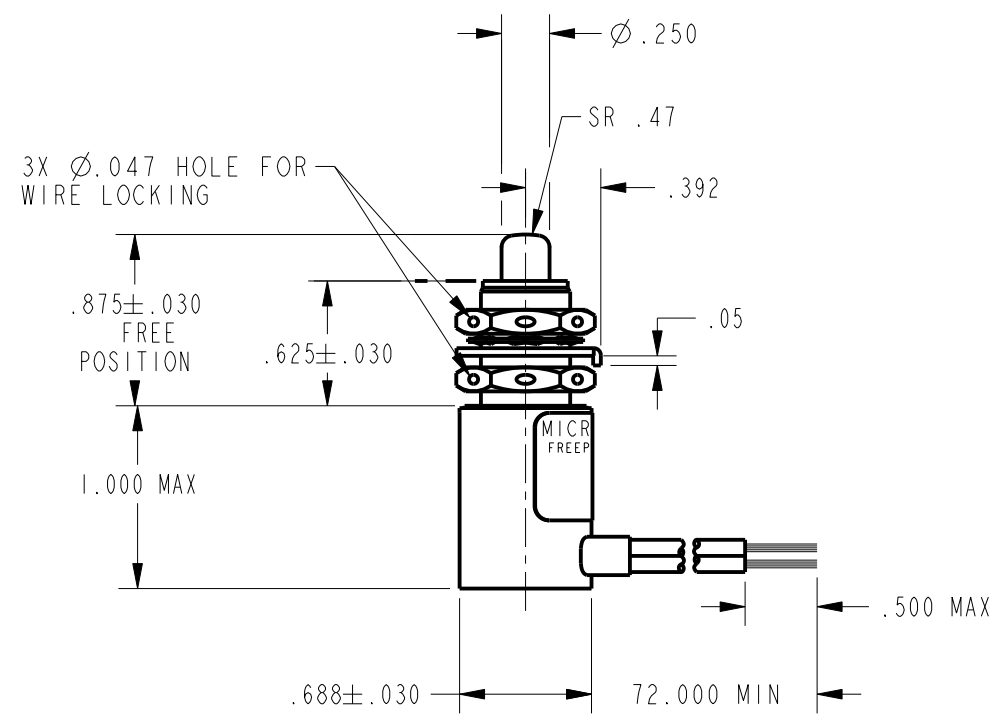
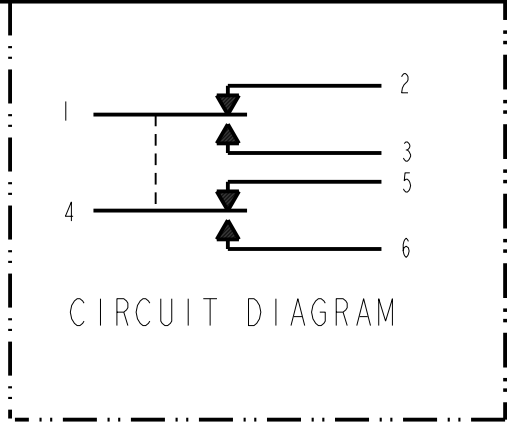
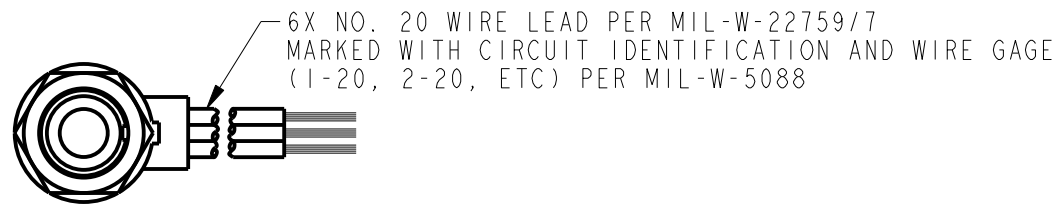


HONEYWELL PART NUMBER
602EN69-6
FAA PMA 

REV	DOCUMENT	CHANGED BY	CHECK
15	0006861	AS 02AUG04	AK



- NOTES
- 1 - CORROSION RESISTANT STEEL ENCLOSURE
 - 2 - CIRCUIT DIAGRAM, CATALOG LISTING, DATE CODE, FED MFG CODE AND FAA-PMA ARE SHOWN ON NAMEPLATE
 - 3 - SWITCH SEALED PER MIL-PRF-8805 SYMBOL 4
 - 4 - COINCIDENCE OF OPERATING AND RELEASING POINTS: .010 OF PLUNGER TRAVEL
 - (5) HARDWARE MAY BE PACKAGED UNASSEMBLED PER MIL-PRF-8805
 - (6) FOR MANUFACTURING DETAIL SEE ASSEMBLY DRAWING 602EN69-6 FOR FAA-PMA

CHARACTERISTICS
OPERATING FORCE ----- 6-12 LB
FULL OVERTRAVEL FORCE --- 30 LB MAX
RELEASE FORCE ----- 4 LB MIN
PRETRAVEL ----- .020±.010
DIFFERENTIAL TRAVEL ----- .020 MAX
OVERTRAVEL ----- .125 MIN

ELECTRICAL DATA		
CONTACT ARRANGEMENT 2X S P D T		
LOAD	28 VDC	
	SEA LEVEL	50,000 FT
RES	7	7
IND	4	2.5
MOTOR	4	

DESIGN UNITS: INCH
TOLERANCES UNLESS NOTED:
NO PLACE X ± 0.400
ONE PLACE .X ± 0.030
TWO PLACE .XX ± 0.015
THREE PLACE .XXX ± 0.005
FOUR PLACE .XXXX ± 0.0005
ANGLES X ± 3
THIRD ANGLE PROJECTION

DRAWN	GJW	26OCT00
CHECK	SAV	26OCT00
THIS DRAWING COVERS A PROPRIETARY ITEM AND IS THE PROPERTY OF HONEYWELL. THIS DRAWING IS NOT TO BE COPIED OR USED WITHOUT THE PERMISSION OF HONEYWELL.		
INTERPRET PER ASME Y14.5M-1994 OTHER HONEYWELL ENGINEERING STANDARDS MAY APPLY		
Pro/ENGINEER	2D	

Honeywell			
TITLE SWITCH-ENCLOSED			
SIZE	TYPE	DRAWING NAME	REV
B	I	602EN69-6	15
SCALE	FULL	WEIGHT 7.8 OZ MAX	SHEET 1 OF 1