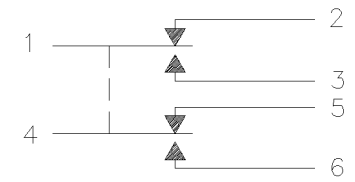


MICRO SWITCH
a Honeywell Division
FED. MFG. CODE 91929

SWITCH-ENCLOSED

CATALOG LISTING
602EN610-6B



CIRCUIT DIAGRAM

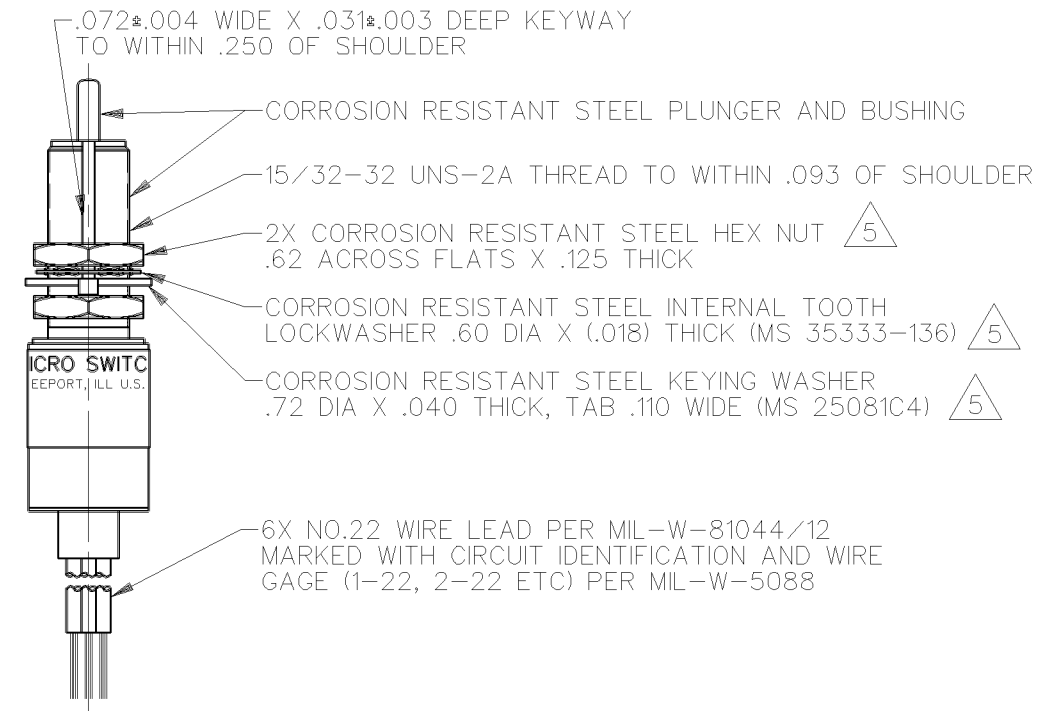
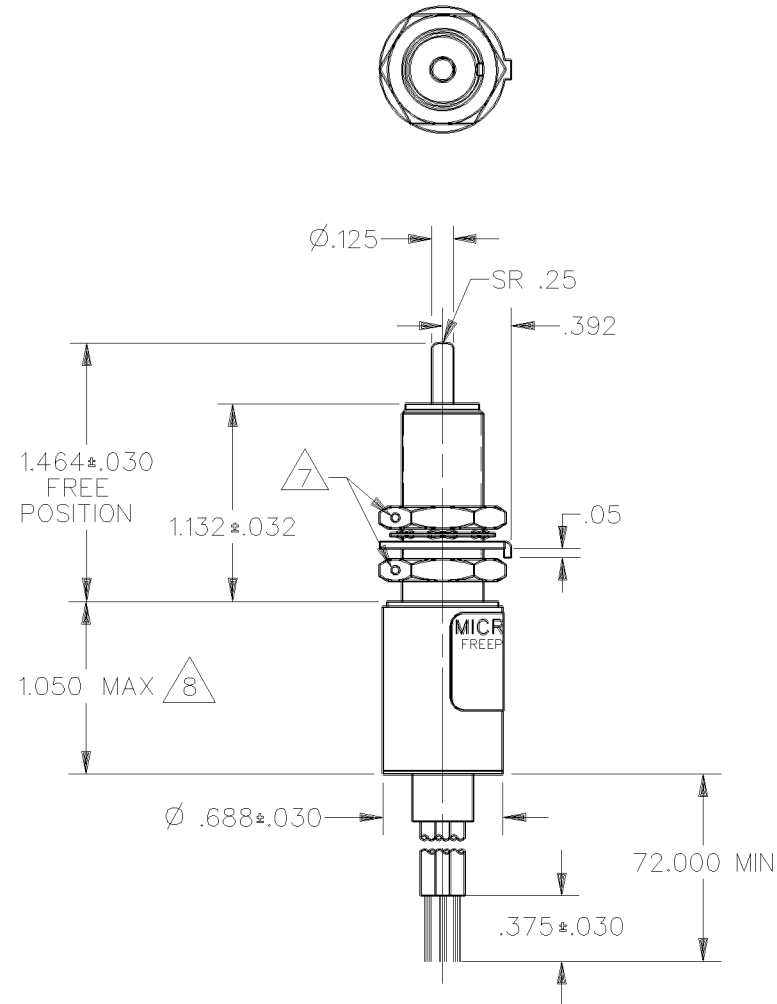
CATALOG LISTING
602EN610-6B

ISSUE
2

REVISIONS
A PR-21480
MAM
9 JAN 95

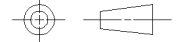
DDM/CAD
DRAWN
MAM
9 JAN 95

PAGE 1 OF 1
RELEASE NO. PR-21480
CHECK
W J C 10 JAN 95
CHECK
MAM 9 JAN 95



THIS DRAWING COVERS A PROPRIETARY ITEM AND IS THE PROPERTY OF MICRO SWITCH, A DIVISION OF HONEYWELL. THIS DRAWING IS NOT TO BE COPIED OR USED WITHOUT THE APPROVAL OF MICRO SWITCH

THIRD ANGLE PROJECTION



CHARACTERISTICS	
OPERATING FORCE	2-4 LB
FULL OVERTRAVEL FORCE	15 LB MAX
RELEASE FORCE	1 LB MIN
PRETRAVEL	.040 MAX
DIFFERENTIAL TRAVEL	.020 MAX
OVERTRAVEL	.250 MIN

ELECTRICAL DATA		
CONTACT ARRANGEMENT 2X D P D T		
28 VDC		
LOAD	SEA LEVEL	50,000 FT
RES	1	1
IND	0.5	0.5

SCALE FULL	
DO NOT SCALE PRINT	
UNLESS OTHERWISE SPECIFIED TOLERANCES ARE	
ONE PLACE	(.0) ±.030
TWO PLACE	(.00) ±.015
THREE PLACE	(.000) ±.005
ANGLES	±
WEIGHT	4.5 OZ MAX

- NOTES
- 1 - CORROSION RESISTANT STEEL ENCLOSURE
 - 2 - SWITCH SEALED PER MIL-S-8805 SYMBOL 4
 - 3 - CIRCUIT DIAGRAM AND CATALOG LISTING ARE SHOWN ON LABEL
 - 4 - COINCIDENCE OF OPERATING AND RELEASING POINTS: .010 OF PLUNGER TRAVEL
 - 5 - HARDWARE MAY BE PACKAGED UNASSEMBLED PER MIL-S-8805
 - 6 - GOLD BIFURCATED CONTACTS
 - 7 - Ø.047 HOLE FOR WIRE LOCKING
 - 8 - THIS DIMENSION EXCLUDES THE RESILIENT POTTING MATERIAL ON THE BOTTOM OF THE SWITCH

ANSI Y14.5M-1982 APPLIES