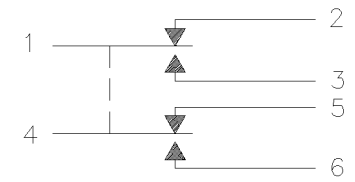


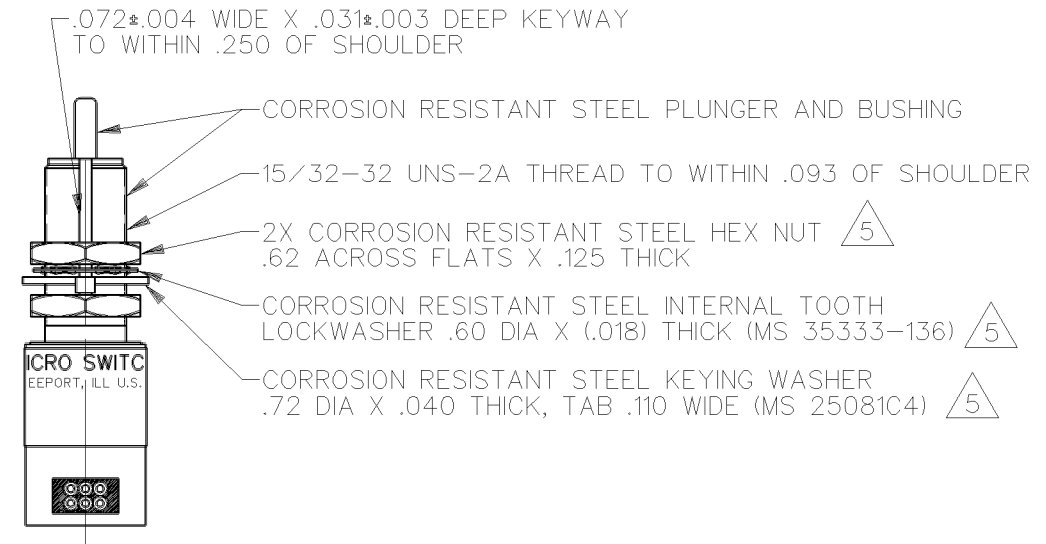
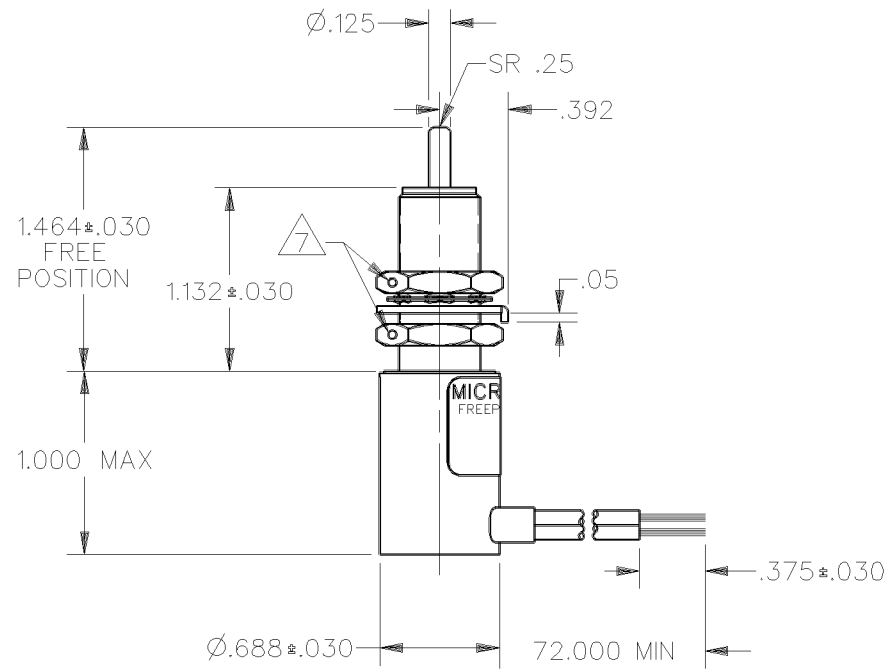
MICRO SWITCH
a Honeywell Division
FED. MFG. CODE 91929

SWITCH-ENCLOSED

CATALOG LISTING
602EN610-6



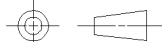
CIRCUIT DIAGRAM



NOTES

- 1 - CORROSION RESISTANT STEEL ENCLOSURE
- 2 - SWITCH SEALED PER MIL-S-8805 SYMBOL 4
- 3 - CIRCUIT DIAGRAM AND CATALOG LISTING ARE SHOWN ON LABEL
- 4 - COINCIDENCE OF OPERATING AND RELEASING POINTS: .010 OF PLUNGER TRAVEL
- (5) HARDWARE MAY BE PACKAGED UNASSEMBLED PER MIL-S-8805
- (6) GOLD BIFURCATED CONTACTS
- (7) Ø.047 HOLE FOR WIRE LOCKING

THIRD ANGLE PROJECTION



SCALE FULL

DO NOT SCALE PRINT

UNLESS OTHERWISE SPECIFIED TOLERANCES ARE

ONE PLACE (.0) ±.030
TWO PLACE (.00) ±.015
THREE PLACE (.000) ±.005
ANGLES ±

WEIGHT 4.5 OZ MAX

ANSI Y14.5M-1982 APPLIES

THIS DRAWING COVERS A PROPRIETARY ITEM AND IS THE PROPERTY OF MICRO SWITCH, A DIVISION OF HONEYWELL. THIS DRAWING IS NOT TO BE COPIED OR USED WITHOUT THE APPROVAL OF MICRO SWITCH

CHARACTERISTICS	ELECTRICAL DATA
OPERATING FORCE-----2-4 LB	CONTACT ARRANGEMENT 2X S P D T
FULL OVERTRAVEL FORCE----15 LB MAX	
RELEASE FORCE-----1 LB MIN	28 VDC
PRETRAVEL-----.040 MAX	LOAD
DIFFERENTIAL TRAVEL----.020 MAX	RES
OVERTRAVEL-----.250 MIN	IND

LOAD	SEA LEVEL	50,000 FT
1	1	1
0.5	0.5	0.5

CATALOG LISTING
602EN610-6

ISSUE
M
4

REVISIONS

A	PR-20770	S A V	30 AUG 93
B	CO-77642	TSM	22 JUN 94
C	CO-79633	JAK	23 JAN 95

DDM/CAD
DRAWN
S A V 30 AUG 93

RELEASE NO. PR-20770
REPLACES
CHECK
CHECK