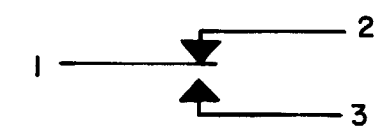


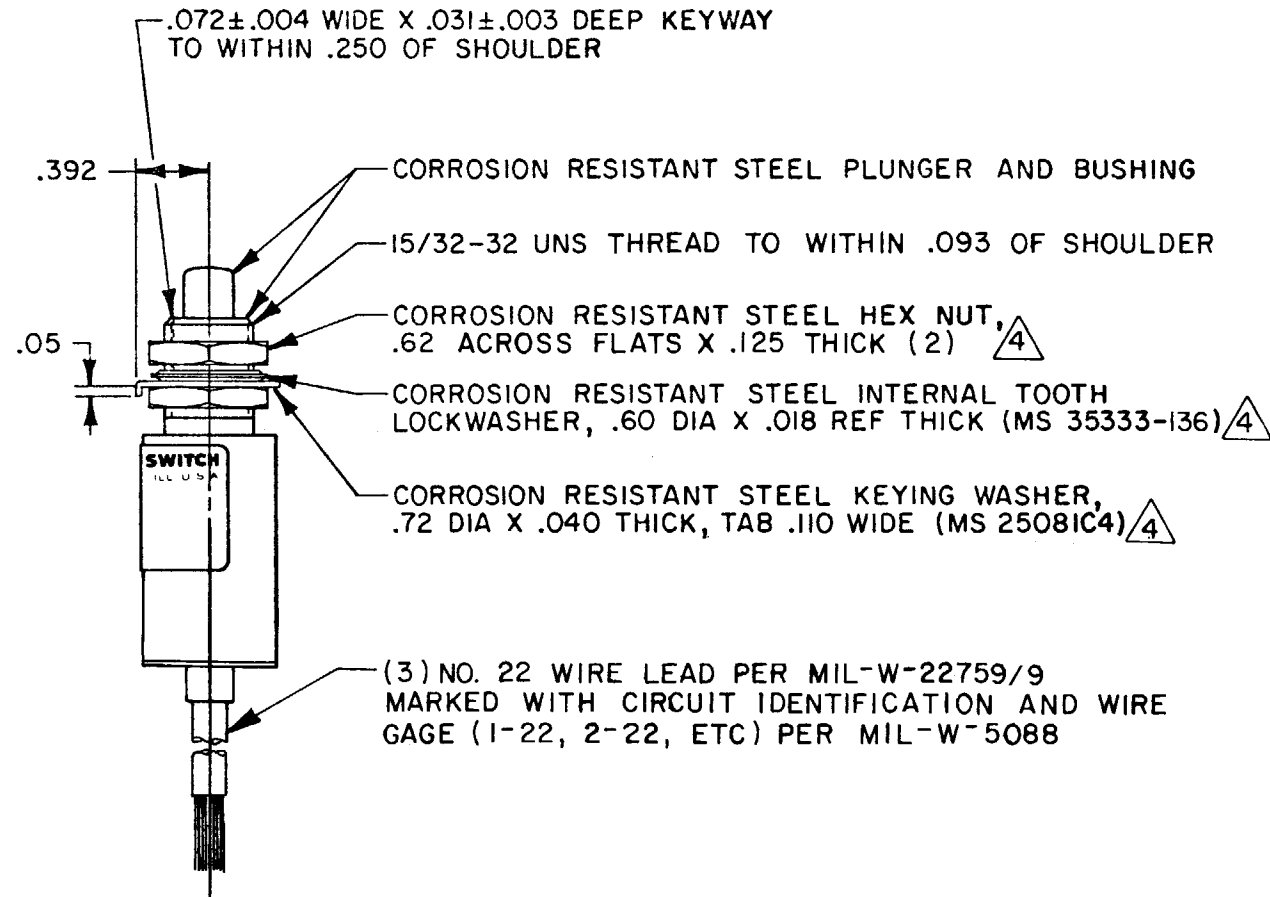
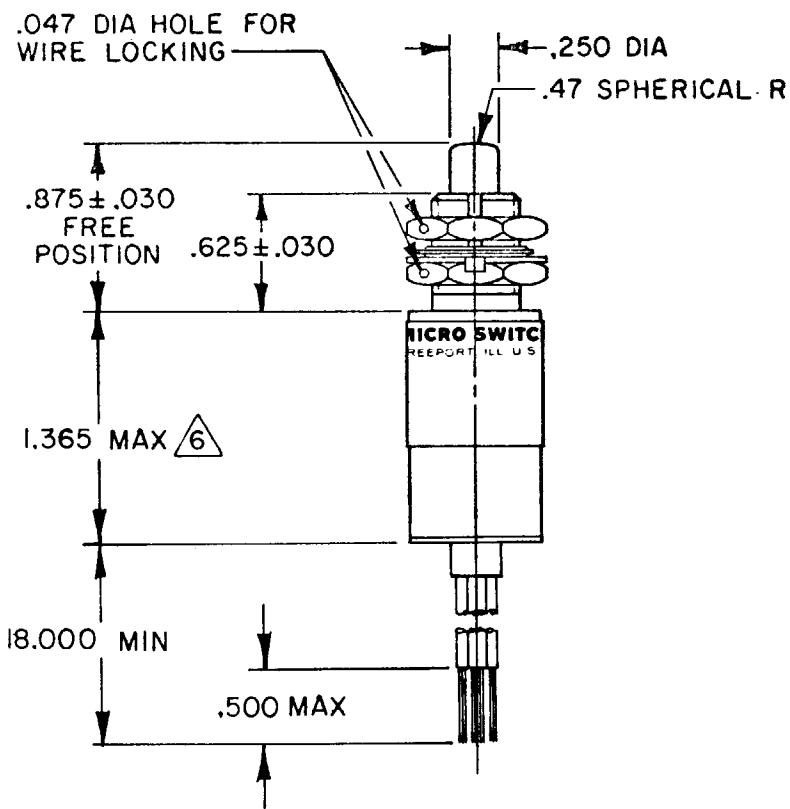
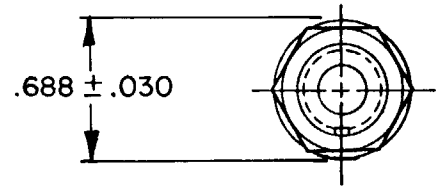
**MICRO SWITCH**  
 FREEPORT ILLINOIS U.S.A.  
 A DIVISION OF HONEYWELL  
 FED. MFG. CODE 91929

**SWITCH - ENCLOSED**

CATALOG LISTING  
**602EN61-B**



**CIRCUIT DIAGRAM**



**602EN61-B**

PAGE 1 OF 1

**M**

DRAWING NUMBER

ISSUE **17**

REPLACES

RELEASE NO. SR-12848

CHECK

REVISIONS

A	CO44351	
5	WJM	MAR 80
B	CO47573	
7	JAP	AUG 80
C	CO	49280
25	JMJ	MAR 81
D	CO49806	
25	JAP	SEPT 81
E	CO	60123
24	S	SEP 86
F	CO68422	
6	MAM	SEP 90
G	CO94480	
25	DLT	MAR 99

CHECK

5 MAR 80

CHECK

CER

CHECK

5 MAR 80

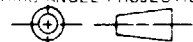
WJM

FORMTEK  
 FO-52851-A

DRAWN

THIS DRAWING COVERS A PROPRIETARY ITEM AND IS THE PROPERTY OF MICRO SWITCH, A DIVISION OF HONEYWELL. THIS DRAWING IS NOT TO BE COPIED OR USED WITHOUT THE APPROVAL OF MICRO SWITCH.

THIRD ANGLE PROJECTION



SCALE FULL

DO NOT SCALE PRINT

CHARACTERISTICS	
OPERATING FORCE	6-12 LB
FULL OVERTRAVEL FORCE	30 LB MAX
RELEASE FORCE	4 LB MIN
PRETRAVEL	.040 MAX
DIFFERENTIAL TRAVEL	.020 MAX
OVERTRAVEL	.125 MIN

ELECTRICAL DATA		
CONTACT ARRANGEMENT SPDT		
28 VDC		
LOAD	SEA LEVEL	50,000 FT.
RES	7	7
IND	4	2.5
MOTOR	4	
LAMP		

TOLERANCES			
APPLY TO DESIGN UNITS. CONVERSIONS ARE ONLY FOR REFERENCE. UNLESS NOTED, TOLERANCES ARE ±			
DIM.	TOL.	DIM.	TOL.
mm	mm/in	in	mm/in
NO PLACES	X	1/04	X X
ONE PLACE	X,X	0.4/018	X X
TWO PLACES	X,XX	0.15/008	X,XXX
THREE PLACES	X,XXX		X,XXXX
ANGLES			
SI METRIC		US CUSTOMARY	
DESIGN UNITS <input type="checkbox"/> SI METRIC <input checked="" type="checkbox"/> US CUSTOMARY			
RAW MATERIAL - COMMERCIAL STANDARD			
MICRO SWITCH STANDARDS APPLY			
DIMENSIONS ARE TO BE MET BEFORE PROTECTIVE COATINGS ARE APPLIED			
WEIGHT		3.5 OZ MAX	

**NOTES**

- 1 - CORROSION RESISTANT STEEL ENCLOSURE
- 2 - SWITCH SEALED PER MIL-PRF-8805 SYMBOL 4
- 3 - CIRCUIT DIAGRAM, FED. MFG. CODE, DATE CODE AND CAT. LIST. ARE SHOWN ON NAMEPLATE
- 4 - HARDWARE MAY BE PACKAGED UNASSEMBLED PER MIL-PRF-8805
- 5 - BOTTOM OF SWITCH COATED WITH RESILIENT POTTING MATERIAL.
- 6 - THIS DIMENSION EXCLUDES THE RESILIENT POTTING MATERIAL ON THE BOTTOM OF THE SWITCH