

**MICRO SWITCH**

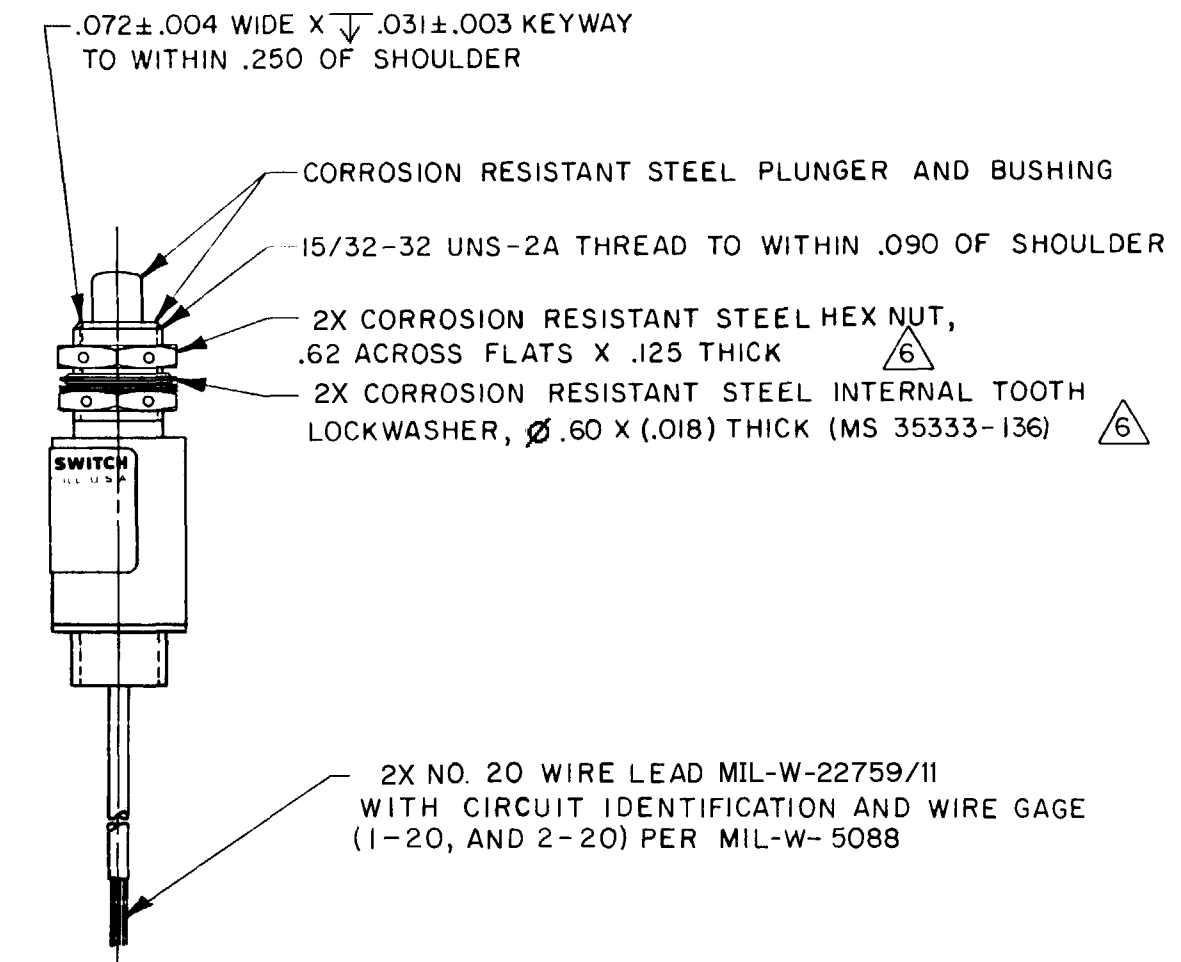
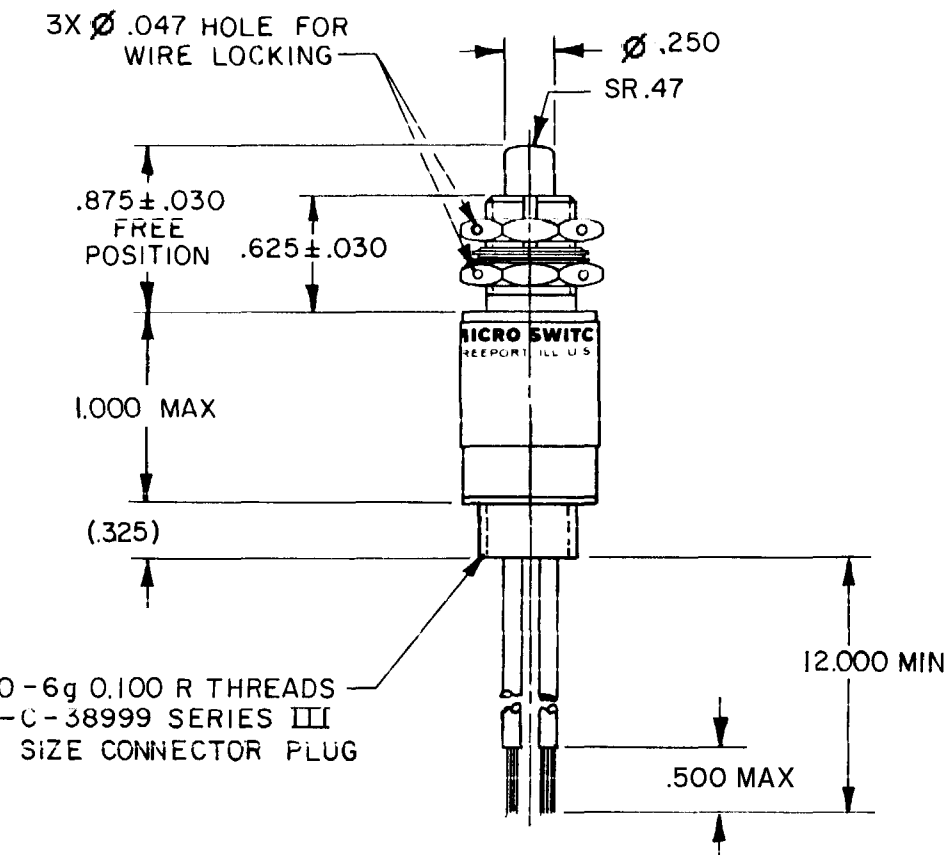
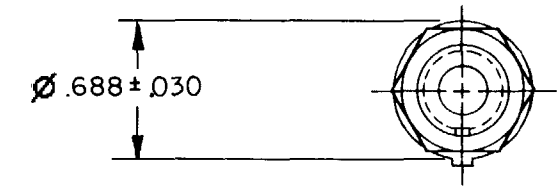
FREEPORT ILLINOIS U.S.A.  
A DIVISION OF HONEYWELL

FED. MFG. CODE 91929

**SWITCH - ENCLOSED**

CATALOG LISTING  
**602EN538-B**

CIRCUIT DIAGRAM



CATALOG LISTING  
**602EN538-B**  
 PAGE 1 OF 1  
 ISSUE **M**  
 7  
 REVISIONS  
 A PRH3417-T  
 G J W  
 8 OCT 84  
 B C056047  
 K E W  
 14 JAN 85  
 C 60123  
 S J S  
 24 SEP 86  
 D C094274  
 DLM  
 17 MAR 99  
 E 203588  
 CSI  
 10 AUG 01  
 RASTER  
 FO-5285 1-A  
 DRAWN  
 G J W  
 8 OCT 84  
 CHECK  
 KAGS  
 10 OCT 84  
 CHECK  
 RELEASE NO. PR - 13417-T  
 REPLACE:

THIS DRAWING COVERS A PROPRIETARY ITEM AND IS THE PROPERTY OF MICRO SWITCH, A DIVISION OF HONEYWELL. THIS DRAWING IS NOT TO BE COPIED OR USED WITHOUT THE APPROVAL OF MICRO SWITCH.

THIRD ANGLE PROJECTION

SCALE FULL  
DO NOT SCALE PRINT

CHARACTERISTICS	
OPERATING FORCE	3 - 6 LB
FULL OVERTRAVEL FORCE	17 LB MAX
RELEASE FORCE	2 LB MIN
PRETRAVEL	.040 MAX
DIFFERENTIAL TRAVEL	.020 MAX
OVERTRAVEL	.125 MIN

ELECTRICAL DATA		
CONTACT ARRANGEMENT		
S P N C		
28 VDC		
LOAD	SEA LEVEL	50,000 FT.
RES	1	1
IND	0.5	0.5
MOTOR		
LAMP		

TOLERANCES			
APPLY TO DESIGN UNITS. CONVERSIONS ARE ONLY FOR REFERENCE. UNLESS NOTED, TOLERANCES ARE:			
DIM.	TOL.	DIM.	TOL.
mm	mm/in	in	mm/in
NO PLACES	X	1/04	
ONE PLACE	X,X	0.47/018	X,X
TWO PLACES	X,X,X	0.157/006	X,X,X
THREE PLACES	X,X,X,X	0.137/005	X,X,X,X
ANGLES			

DESIGN UNITS  SI METRIC  US CUSTOMARY

RAW MATERIAL - COMMERCIAL STANDARD  
MICRO SWITCH STANDARDS APPLY  
DIMENSIONS ARE TO BE MET BEFORE PROTECTIVE COATINGS ARE APPLIED

WEIGHT 2.5 OZ MAX

- NOTES
- 1 - CORROSION RESISTANT STEEL ENCLOSURE
  - 2 - SWITCH SEALED PER MIL-PRF-8805 SYMBOL 4
  - 3 - CIRCUIT DIAGRAM, DATE CODE, FED. MFG. CODE AND CAT. LIST, ARE SHOWN ON NAMEPLATE
  - 4 - NOTED ELECTRICAL RATINGS APPLY AS SPECIFIED IN MIL-PRF - 8805/43 UP TO 185°F
  - 5 - BASIC SWITCHES HAVE SOLID GOLD CONTACT MATERIAL
  - 6 - HARDWARE MAY BE PACKAGED UNASSEMBLED PER MIL-PRF-8805

ANSI Y14.5M-1982 APPLIES

**MICRO SWITCH**

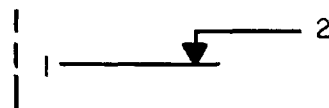
FREEPORT ILLINOIS U.S.A.  
A DIVISION OF HONEYWELL

FED. MFG. CODE #1929

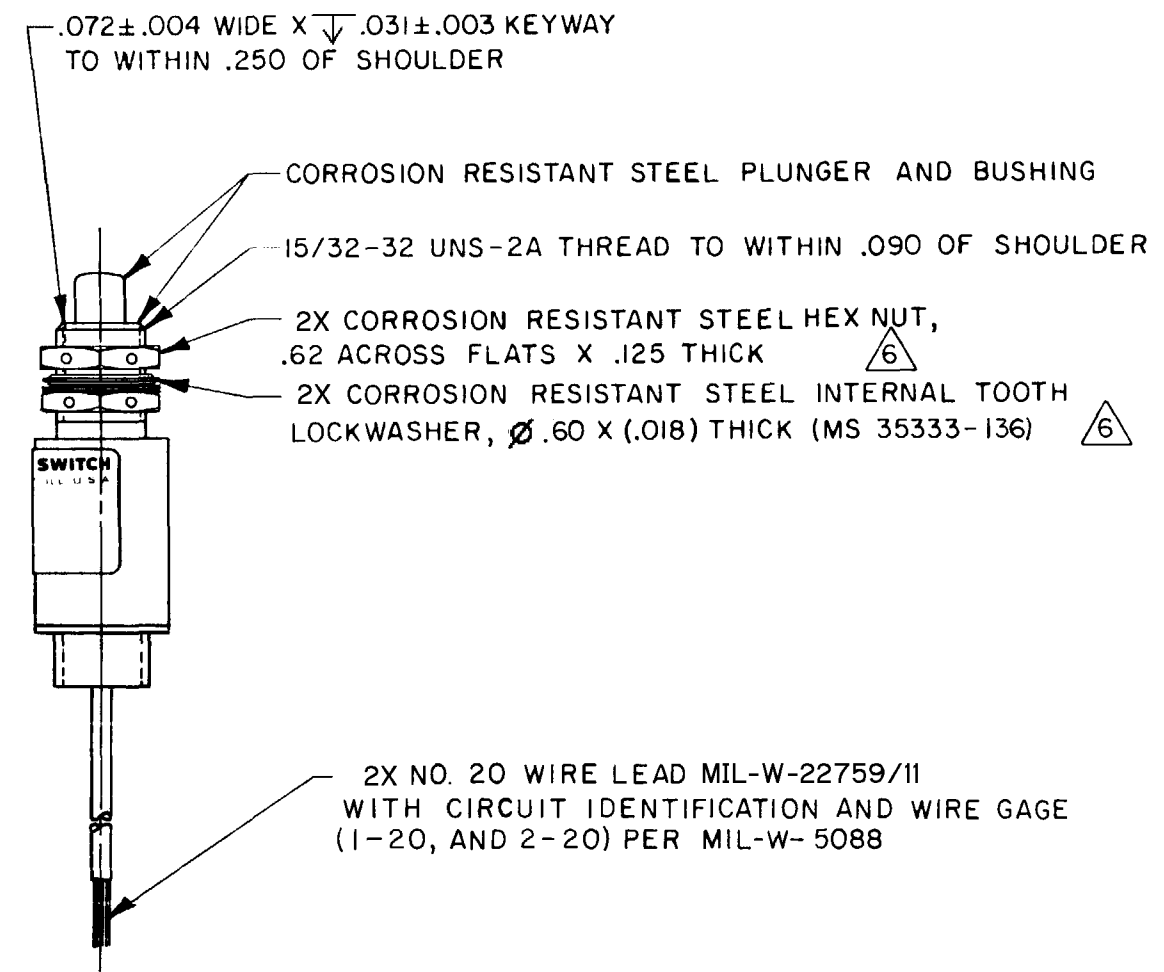
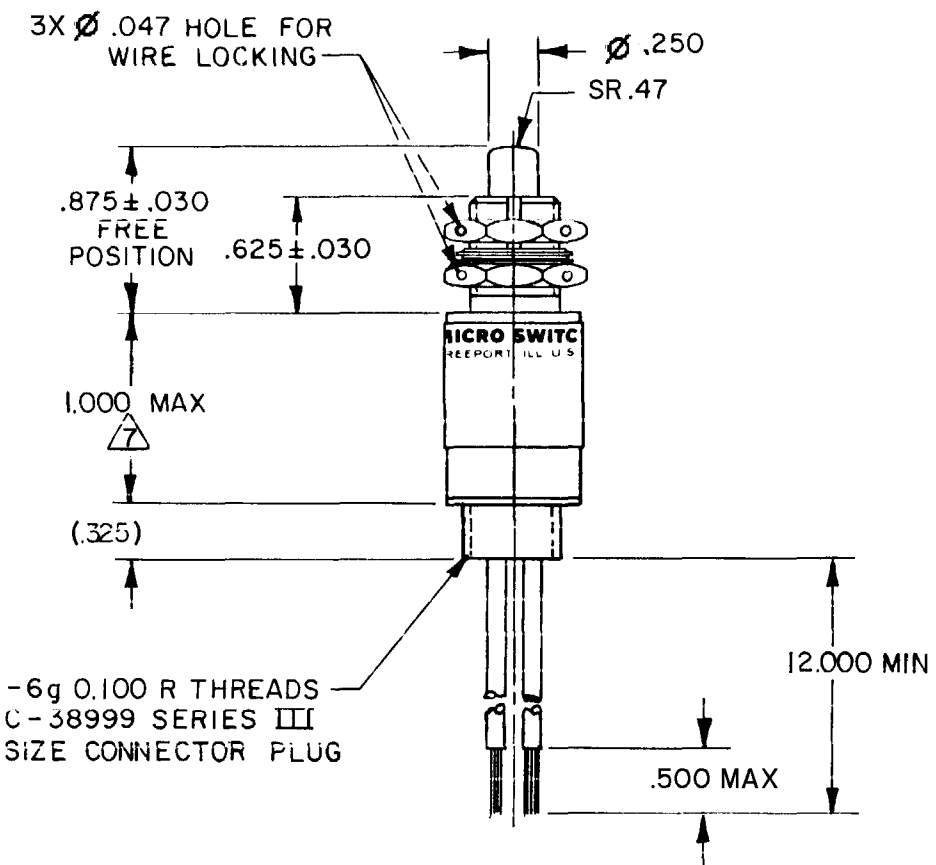
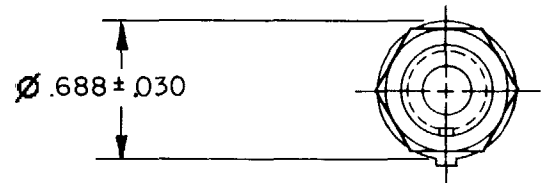
**SWITCH - ENCLOSED**

CATALOG LISTING  
**602EN538-B**

CIRCUIT DIAGRAM



**602EN538-B**  
 DRAWING NUMBER  
**M**  
 ISSUE  
**8**  
**6**  
 REVISIONS  
 A PRM3417-T  
 G J W  
 8 OCT 84  
 B C056047  
 K E W  
 14 JAN 85  
 C 60123  
 S J S  
 24 SEP 86  
 D C094274  
 DLM  
 17 MAR 99  
 CHECK  
 KAGS  
 10 OCT 84  
 CHECK  
 KAGS  
 8 OCT 84  
 DRAWN  
 G J W  
 FO-52851-A



THIS DRAWING COVERS A PROPRIETARY ITEM AND IS THE PROPERTY OF MICRO SWITCH, A DIVISION OF HONEYWELL. THIS DRAWING IS NOT TO BE COPIED OR USED WITHOUT THE APPROVAL OF MICRO SWITCH.



SCALE FULL  
DO NOT SCALE PRINT

CHARACTERISTICS	
OPERATING FORCE	3 - 6 LB
FULL OVERTRAVEL FORCE	17 LB MAX
RELEASE FORCE	2 LB MIN
PRETRAVEL	.040 MAX
DIFFERENTIAL TRAVEL	.020 MAX
OVERTRAVEL	.125 MIN

ELECTRICAL DATA		
CONTACT ARRANGEMENT		
S P N C		
LOAD	28 VDC	
RES	SEA LEVEL	50,000 FT.
IND	0.5	0.5
MOTOR		
LAMP		

TOLERANCES			
APPLY TO DESIGN UNITS. CONVERSIONS ARE ONLY FOR REFERENCE. UNLESS NOTED, TOLERANCES ARE:			
DIM.	TOL.	DIM.	TOL.
IN	MM	IN	MM
NO PLACES	X	1/04	
ONE PLACE	X,X	0.4/018	X X
TWO PLACES	X,XX	0.15/006	X XX
THREE PLACES	X,XXX	0.13/005	X XXX
ANGLES			

DESIGN UNITS  SI METRIC  US CUSTOMARY

RAW MATERIAL - COMMERCIAL STANDARD  
MICRO SWITCH STANDARDS APPLY  
DIMENSIONS ARE TO BE MET BEFORE PROTECTIVE COATINGS ARE APPLIED

WEIGHT 2.5 OZ MAX

- NOTES
- 1 - CORROSION RESISTANT STEEL ENCLOSURE
  - 2 - SWITCH SEALED PER MIL-PRE-8805 SYMBOL 4
  - 3 - CIRCUIT DIAGRAM, DATE CODE, FED. MFG. CODE AND CAT. LIST, ARE SHOWN ON NAMEPLATE
  - 4 - NOTED ELECTRICAL RATINGS APPLY AS SPECIFIED IN MIL-PRE-8805/43 UP TO 185°F
  - 5 - BASIC SWITCHES HAVE SOLID GOLD CONTACT MATERIAL  
HARDWARE MAY BE PACKAGED UNASSEMBLED PER MIL-PRE-8805  
THIS DIMENSION EXCLUDES THE RESILIENT POTTING MATERIAL ON THE BOTTOM OF THE SWITCH

ANSI Y14.5M-1982 APPLIES