

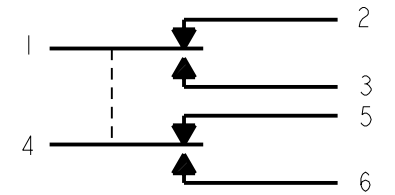
MICRO SWITCH
a Honeywell Division

FED. MFG. CODE 91929

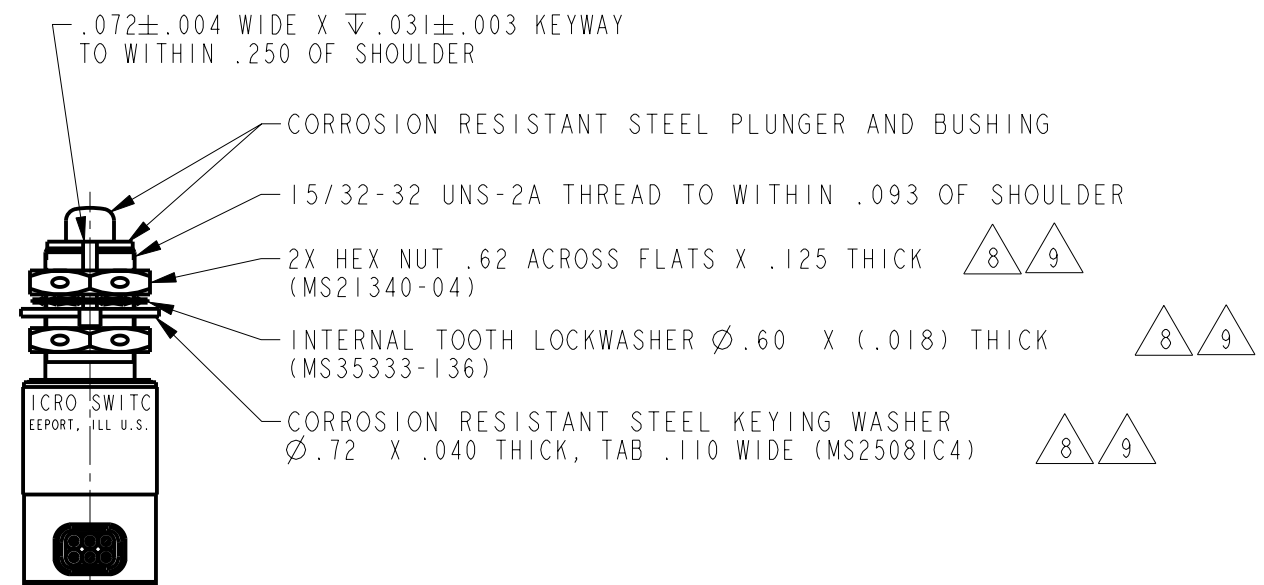
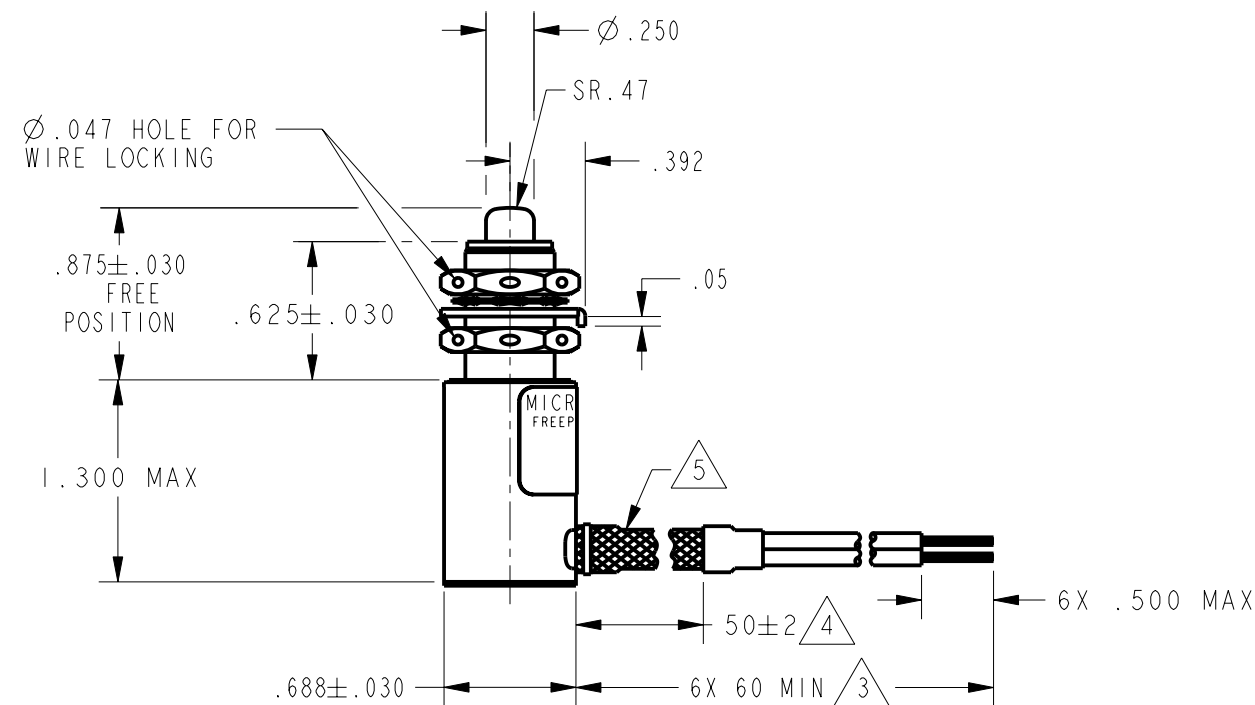
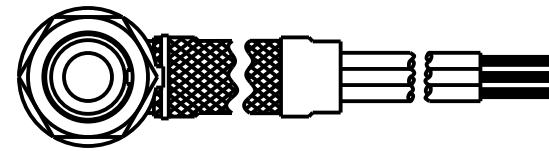
SWITCH - ENCLOSED

CATALOG LISTING

602EN181-5



CIRCUIT DIAGRAM



NOTES

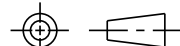
- 1 - SWITCH MEETS THE REQUIREMENTS OF MIL-PRF-8805/43 EXCEPT AS NOTED
- 2 - CONTACT VOLTAGE DROP (INCLUDING LEADWIRES) SHALL NOT EXCEED 0.04 VOLTS WITH A LOAD BETWEEN 2 TO 6 VDC AND 100 ma
- 3 - LEADWIRE PER IL-W-22759/6 MARKED WITH CIRCUIT IDENTIFICATION AND GAGE (1-20, 2-20, ETC) PER MIL-W-5088
- 4 - THE LEADWIRE SHALL BE DOUBLE SHIELDED WITH NICKEL COATED COPPER WIRE
- 5 - THE SHIELD SHALL BE CIRCUMFERENTIALLY BONDED ELECTRICALLY TO THE SWITCH HOUSING WITH LESS THAN 2.5 MILLIOHMS RESISTANCE
- 6 - THE SWITCH WHEN TESTED PER MIL-STD-202 METHOS 14, TEST CONDITION 1, TEST CONDICTION LETTER F, SHALL MEET THE FOLLOWING RANDOM VIBRATION PROFILE:

20 TO 60 Hz	3db/OCTAVE INCREASE
60 TO 200 Hz	0.03 G ² /Hz
200 to 300 Hz	3db/OCTAVE DECREASE
300 TO 1000 Hz	0.02 G ² /Hz
1000 to 2000 Hz	6 db/OCTAVE DECREASE
- 7 - PRINT CIRCUIT DIAGRAM, DATE CODE, MANUFACTURING CODE, NSN NUMBER, AND CONTRACT NUMBER ON NAMEPLATE
- 8 - REPLACEMENT MOUNTING HARDWARE - PACKET 19PA9
- 9 - HARDWARE MAY BE PACKAGED UNASSEMBLED PER MIL-PRF-8805)

CATALOG LISTING
602EN181-5
 PAGE 1 OF 1
 RELEASE NO. 206054
 REPLACES -
 ISSUE 2
 CHECK
 REVISIONS
 A 206054
 TSM 22 JUL 02
 CHECK
 22 JUL 02
 SAV
 CHECK
 22 JUL 02
 DRAWN
 PTC/CAD 2D
 TSM 22 JUL 02

THIS DRAWING COVERS A PROPRIETARY ITEM AND IS THE PROPERTY OF MICRO SWITCH, A DIVISION OF HONEYWELL. THIS DRAWING IS NOT TO BE COPIED OR USED WITHOUT THE APPROVAL OF MICRO SWITCH

THIRD ANGLE PROJECTION



CHARACTERISTICS	ELECTRICAL DATA	
OPERATING FORCE ----- 6 -12 LB	CONTACT ARRANGEMENT	
FULL OVERTRAVEL FORCE ----- 30 LB MAX	2X S P D T	
RELEASE FORCE ----- 4 LB MIN	28 VDC	
PRETRAVEL ----- .040 MAX	LOAD	SEA LEVEL 50,000 FT.
DIFFERENTIAL TRAVEL ----- .020 MAX	RES	7 7
OVERTRAVEL ----- .125 MIN	IND	4 4
	MOTOR	4 4

SCALE	FULL	
DO NOT SCALE PRINT		
UNLESS OTHERWISE SPECIFIED TOLERANCES ARE		
ONE PLACE	(.0)	±.030
TWO PLACE	(.00)	±.015
THREE PLACE	(.000)	±.005
ANGLES		±
WEIGHT		

ANSI Y14.5M-1982 APPLIES