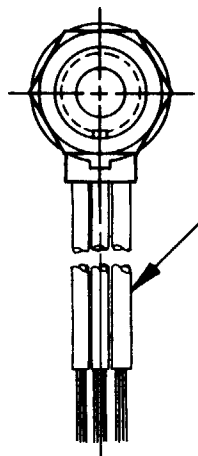
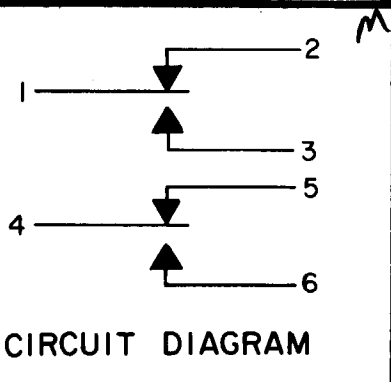


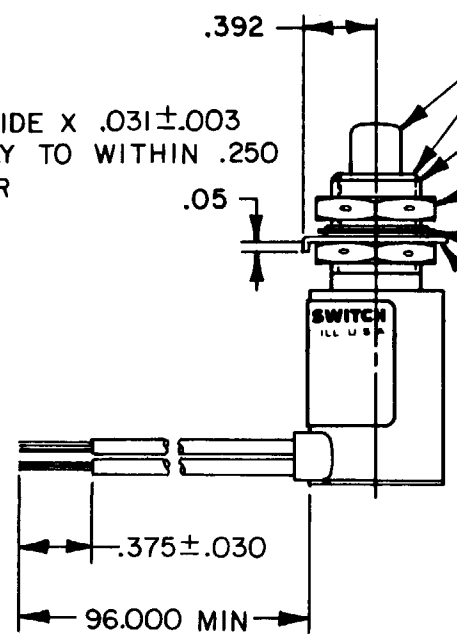
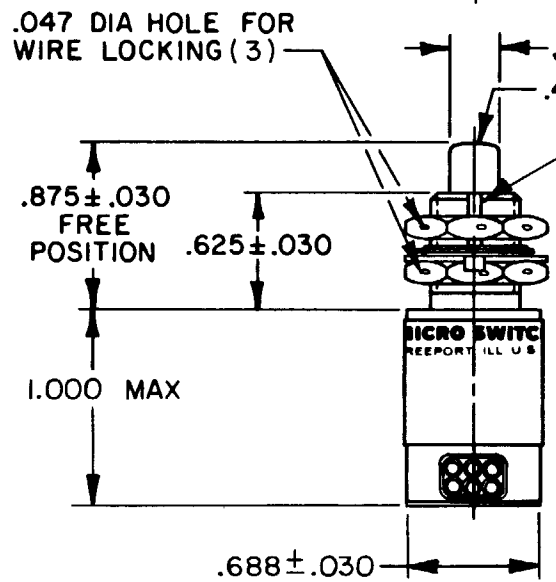
MICRO SWITCH
 FREEPORT, ILLINOIS, U.S.A.
 A DIVISION OF HONEYWELL
 FED. MFG. CODE 91929

SWITCH - ENCLOSED

CATALOG LISTING
602EN14-8



NO. 20 WIRE LEAD PER MIL-W-22759/7
 MARKED WITH CIRCUIT IDENTIFICATION
 AND WIRE GAGE (1-20, 2-20, ETC.) PER
 MIL-W-5088 (6)



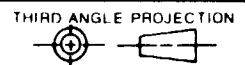
CORROSION RESISTANT STEEL PLUNGER AND BUSHING
 15/32-32 UNS-2A THREAD TO WITHIN .093 OF SHOULDER
 CORROSION RESISTANT STEEL HEX NUT, .62 ACROSS
 FLATS X .125 THICK (2) (MS 21340-04) ⁵
 CORROSION RESISTANT STEEL INTERNAL TOOTH
 LOCKWASHER, .59 DIA X .018 REF THICK (MS 35333-136) ⁵
 CORROSION RESISTANT STEEL KEYING WASHER,
 .72 DIA X .040 THICK, TAB .110 WIDE (MS 25081C4) ⁵

NOTES

- 1 - CORROSION RESISTANT STEEL ENCLOSURE
- 2 - CIRCUIT DIAGRAM AND CAT. LIST. ARE SHOWN ON NAMEPLATE
- 3 - SWITCH SEALED PER MIL-S-8805 SYMBOL 4
- 4 - COINCIDENCE OF OPERATING AND RELEASING POINTS: .010 OF PLUNGER TRAVEL
- ⁵ - HARDWARE MAY BE PACKAGED UNASSEMBLED PER MIL-S-8805

DRAWING NUMBER: 602EN14-8
 ISSUE: 4
 REVISIONS:
 A PR 11325 WJM 24 JUN 82
 B C057723 KEW 5 JUL 85
 C CO 75612B WES 2 SEP 93
 CHECK: 24-JUNE 82
 DRAWN: WJM 21 JUN 82
 CHECK: C.E.B.
 REPLACES: PR-11325
 FED. MFG. CODE: 91929

THIS DRAWING COVERS A PROPRIETARY ITEM AND IS THE PROPERTY OF MICRO SWITCH, A DIVISION OF HONEYWELL. THIS DRAWING IS NOT TO BE COPIED OR USED WITHOUT THE APPROVAL OF MICRO SWITCH.



SCALE FULL

CHARACTERISTICS	
OPERATING FORCE	6-12 LB
FULL OVERTRAVEL FORCE	30 LB MAX
RELEASE FORCE	4 LB MIN
PRETRAVEL	.040 MAX
DIFFERENTIAL TRAVEL	.020 MAX
OVERTRAVEL	.125 MIN

ELECTRICAL DATA		
CONTACT ARRANGEMENT		
SPDT (2)		
28 VDC		
LOAD	SEA LEVEL	50,000 FT.
RES	7	7
IND	4	2.5
MOTOR	4	
LAMP		

TOLERANCES			
APPLY TO DESIGN UNITS. CONVERSIONS ARE ONLY FOR REFERENCE. UNLESS NOTED, TOLERANCES ARE Z			
DIM.	TOL.	DIM.	TOL.
mm	mm/in	in	mm/in
NO PLACES	X	1/04	
ONE PLACE	X,X	0.1/018	X,X 0.8/03
TWO PLACES	X,XX	0.16/008	X,XX 0.26/015
THREE PLACES	X,XXX		X,XXX 0.13/005
ANGLES			

DESIGN UNITS: SI METRIC US CUSTOMARY

RAW MATERIAL—COMMERCIAL STANDARD
 MICRO SWITCH STANDARDS APPLY
 DIMENSIONS ARE TO BE MET BEFORE
 PROTECTIVE COATINGS ARE APPLIED

WEIGHT 7.9 OZ MAX