

MICRO SWITCH
 FREEPORT ILLINOIS U.S.A.
 A DIVISION OF HONEYWELL
 FED. MFG. CODE 91929

SWITCH-ENCLOSED

CATALOG LISTING
602EN103-2

3
 CIRCUIT DIAGRAM

602EN103-2

M

DRAWING NUMBER

10

ISSUE

8

8

REVISIONS

A

C044351

J A P

4 MAR 80

B

C047573

J A P

7 AUG 80

C

C048854

KAG

31 DEC 80

D

C049806

D J W

24 SEPT 81

E

C057370

J A P

13 MAY 85

F

C059301

T A D

20 MAY 86

CHEK

5

MAR 80

CHEK

5

MAR 80

FO-52851-A

REPLACES

PR-4680

CHEK

CHEK

CHEK

CHEK

CHEK

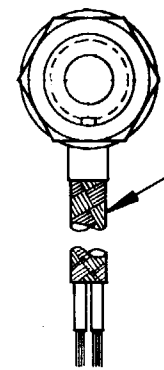
CHEK

CHEK

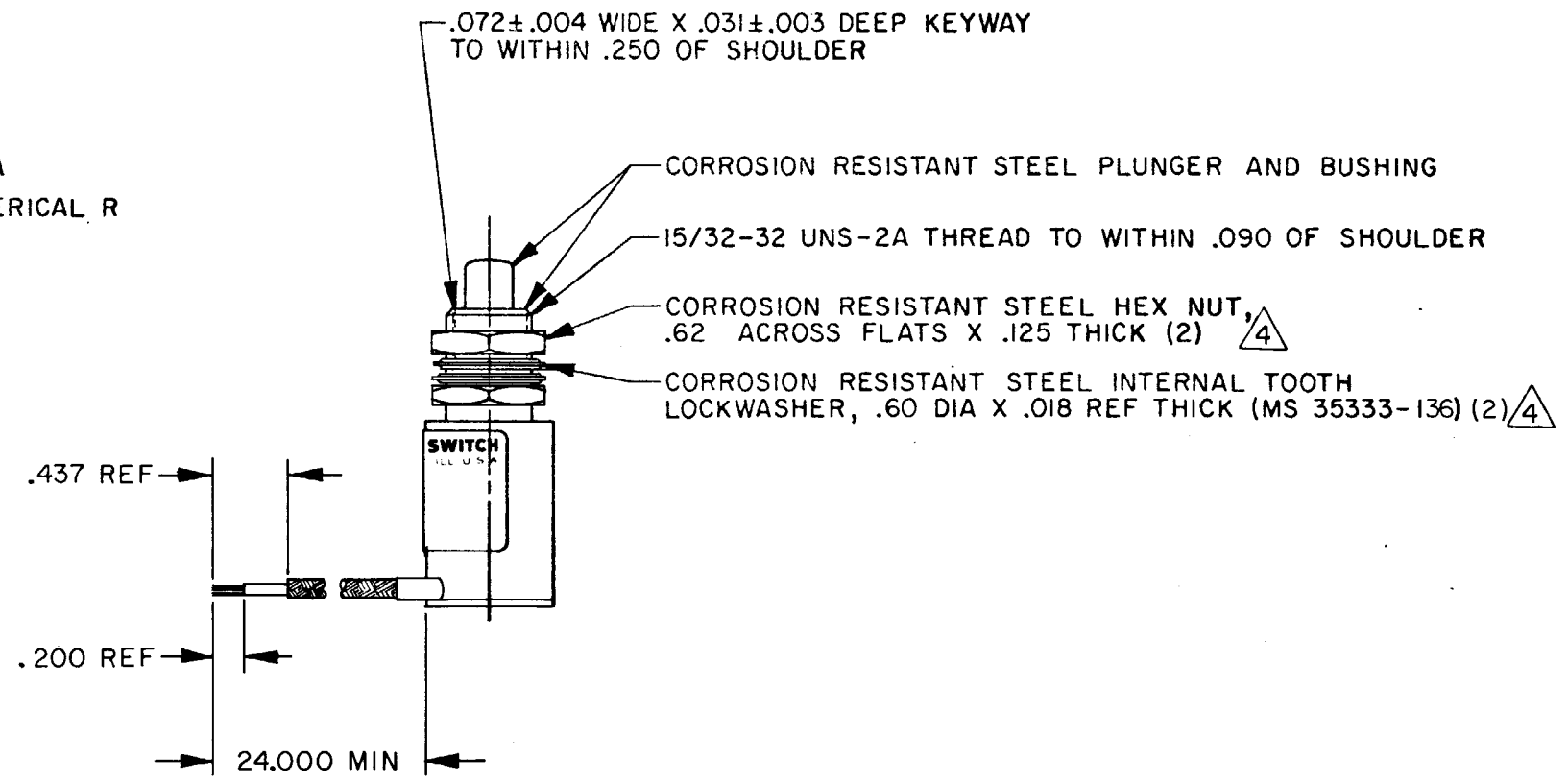
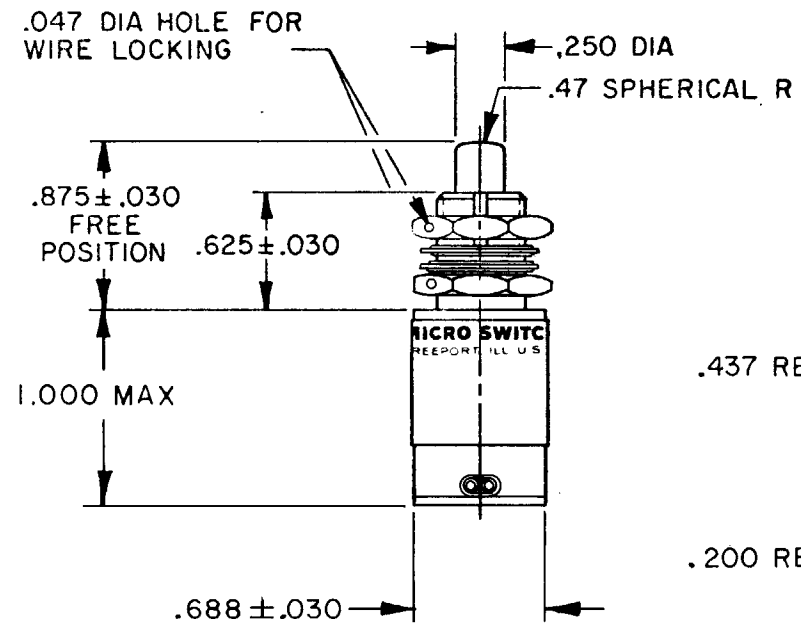
CHEK

CHEK

CHEK



CABLE, 2 CONDUCTOR 18 GAGE SJO TYPE



THIS DRAWING COVERS A PROPRIETARY ITEM AND IS THE PROPERTY OF MICRO SWITCH, A DIVISION OF HONEYWELL. THIS DRAWING IS NOT TO BE COPIED OR USED WITHOUT THE APPROVAL OF MICRO SWITCH.

THIRD ANGLE PROJECTION

SCALE FULL
 DO NOT SCALE PRINT

CHARACTERISTICS	
OPERATING FORCE	6-12 LB
FULL OVERTRAVEL FORCE	30 LB MAX
RELEASE FORCE	4 LB MIN
PRETRAVEL	.040 MAX
DIFFERENTIAL TRAVEL	.020 MAX
OVERTRAVEL	.125 MIN

ELECTRICAL DATA	
CONTACT ARRANGEMENT	
S P N O	
28 VDC	
LOAD	SEA LEVEL
RES	50,000 FT.
IND	0.5
MOTOR	0.5
LAMP	

TOLERANCES			
APPLY TO DESIGN UNITS. CONVERSIONS ARE ONLY FOR REFERENCE UNLESS NOTED. TOLERANCES ARE ±			
DIM.	TOL.	DIM.	TOL.
mm	mm/in	in	mm/in
NO PLACES	F	1/64	
ONE PLACE	X, X	0.47/016	X X
TWO PLACES	X, XX	0.157/006	X XX
THREE PLACES	X, XXX	0.157/006	X XXX
ANGLES			

DESIGN UNITS SI METRIC US CUSTOMARY

RAW MATERIAL - COMMERCIAL STANDARD
 MICRO SWITCH STANDARDS APPLY
 DIMENSIONS ARE TO BE MET BEFORE
 PROTECTIVE COATINGS ARE APPLIED

WEIGHT 4.0 OZ MAX

- NOTES
- 1 - CORROSION RESISTANT STEEL ENCLOSURE
 - 2 - SWITCH SEALED PER MIL-S-8805 SYMBOL 4
 - 3 - CIRCUIT DIAGRAM AND CAT. LIST. ARE SHOWN ON NAMEPLATE
 - 4 - HARDWARE MAY BE PACKAGED UNASSEMBLED PER MIL-S-8805
 - 5 - FOR USE IN TEMPERATURES OF +40°F TO +185°F
 - 6 - PLUNGER SEAL MATERIAL - VITON