

MICRO SWITCH
a Honeywell Division

SWITCH - ENCLOSED

CATALOG LISTING
602EN101-B

FED. MFG. CODE 9192B

X47970-EN

REPLACES
PR-3190

RELEASE NO.
PAGE 1 OF 1

CHECK
ISSUE
11

REVISIONS

A 200129
JJA
21 MAR 00

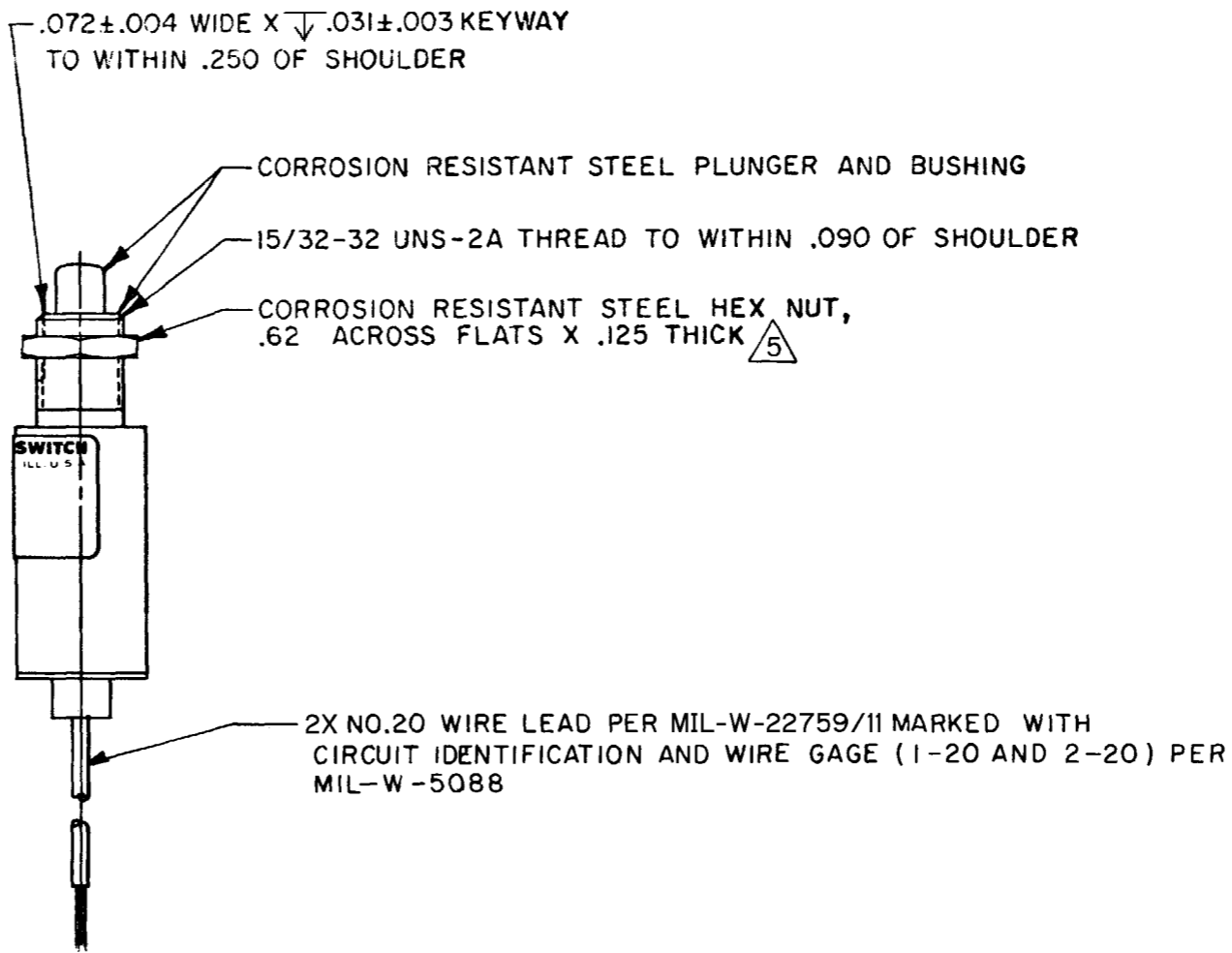
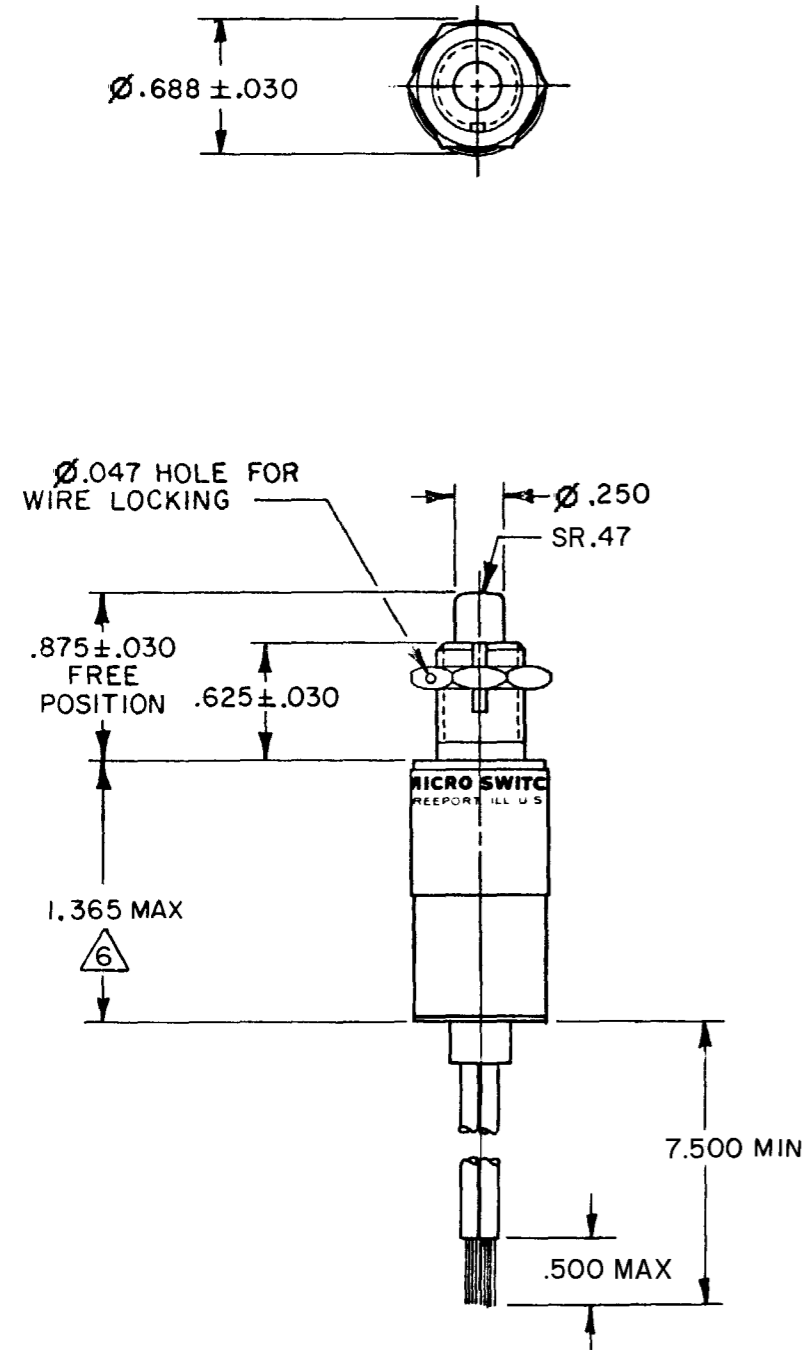
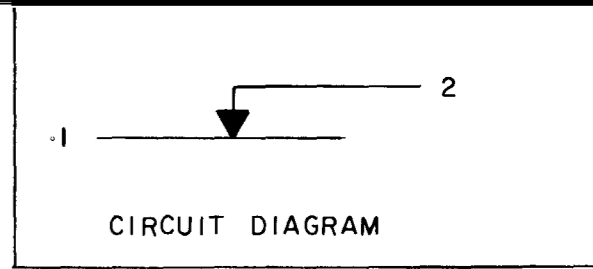
CHECK

SAV 21 MAR 00

CHECK

JJA 21 MAR 00

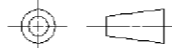
FORMTEK
DRAWN



- NOTES
- 1 - CORROSION RESISTANT STEEL ENCLOSURE
 - 2 - SWITCH SEALED PER MIL-PRF-8805 SYMBOL 4
 - 3 - CIRCUIT DIAGRAM, DATE CODE, FEDERAL MANUFACTURING CODE, AND CATALOG LISTING ARE SHOWN ON NAMEPLATE
 - 4 - NOTED ELECTRICAL RATINGS APPLY AS SPECIFIED IN MIL-PRF-8805/43 UP TO 185°F, MATERIALS OF CONSTRUCTION ARE CAPABLE OF WITHSTANDING -67°F TO +250°F
 - 5 - HARDWARE MAY BE PACKAGED UNASSEMBLED PER MIL-PRF-8805
 - 6 - THIS DIMENSION EXCLUDES THE RESILIENT POTTING MATERIAL ON THE BOTTOM OF THE SWITCH
 - 7 - BASIC SWITCHES HAVE SOLID GOLD CONTACTS
 - 8 - ALL SOLDER UNIONS ARE WITH SNIO SOLDER
 - 9 - THIS CATALOG LISTING MUST CONFORM TO PARKER HANNIFIN DRAWING NUMBER 2489618

THIS DRAWING COVERS A PROPRIETARY ITEM AND IS THE PROPERTY OF MICRO SWITCH, A DIVISION OF HONEYWELL. THIS DRAWING IS NOT TO BE COPIED OR USED WITHOUT THE APPROVAL OF MICRO SWITCH

THIRD ANGLE PROJECTION



SCALE NONE

DO NOT SCALE PRINT

UNLESS OTHERWISE SPECIFIED TOLERANCES ARE

ONE PLACE	(.0)	±.030
TWO PLACE	(.00)	±.015
THREE PLACE	(.000)	±.005
ANGLES		±

WEIGHT

CHARACTERISTICS	
OPERATING FORCE	6 - 12 LBS
FULL OVERTRAVEL FORCE	30 LBS MAX
RELEASE FORCE	4 LBS MIN
PRETRAVEL	.040 MAX
DIFFERENTIAL TRAVEL	.020 MAX
OVERTRAVEL	.125 MIN

ELECTRICAL DATA		
CONTACT ARRANGEMENT		
S P N C		
LOAD	28 VDC	
	SEA LEVEL	50,000 FT.
RES	1.0	1.0
IND	0.5	0.5
MOTOR		

ANSI Y14.5M-1982 APPLIES