

MICRO SWITCH

FREEPORT ILLINOIS, U.S.A
A DIVISION OF HONEYWELL
FED. MFG. CODE 91929

SWITCH - BASIC

CATALOG LISTING

4HM54

S

4HM54

M

DRAWING NUMBER

ISSUE
X 8 9
X 6 9
X 8 9

REPLACES

RELEASE NO. PR-8166

CHECK

REVISIONS

A	CO47280
D J W	
30	JAN 80
B	CO47575
J A P	
9	JUL 80
OBS	
C	CO-49314
SMA	
17	MAR 81
RE-INST	
D	PR-11265
K A G	
8	JUN 82
E C O	
	58221
M A M	
26	SEP 85
F C O	
	061391
T S K	
17	APR 87
G C O	
	71228
D A W	
	1 NOV 91
H C O	
	79496
S A D	
17	DEC 94

CHECK

26 OCT 79

CHECK

26 OCT 79

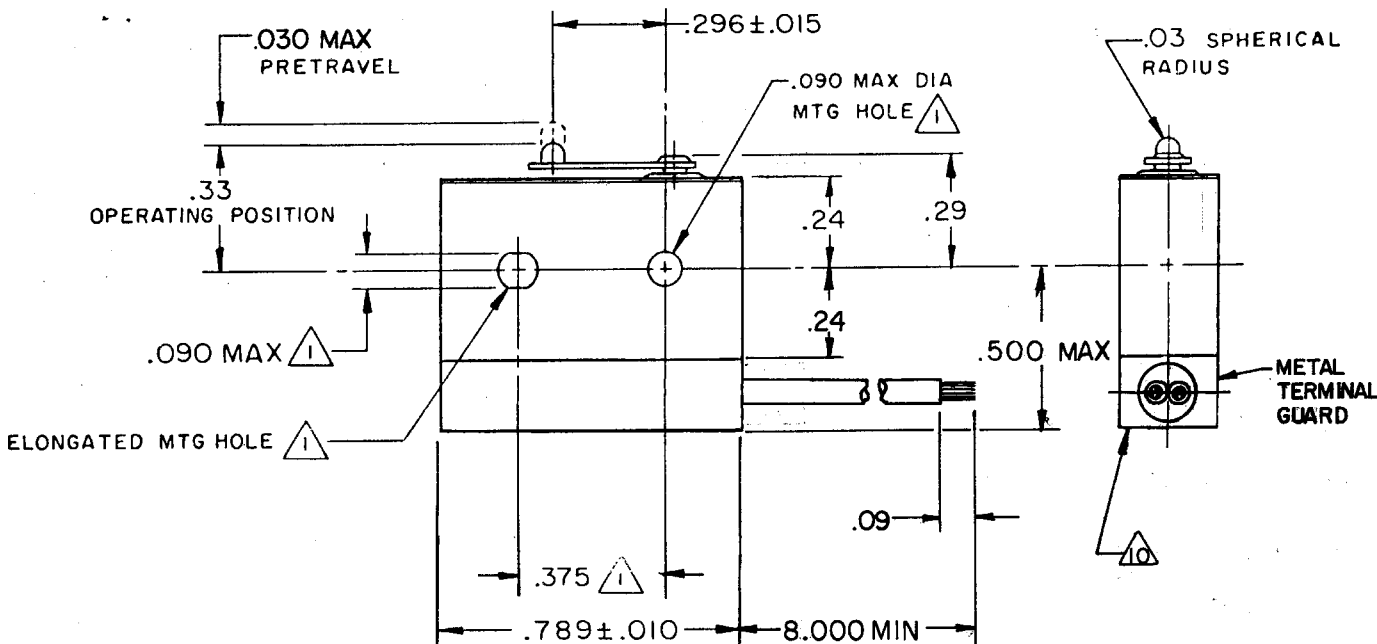
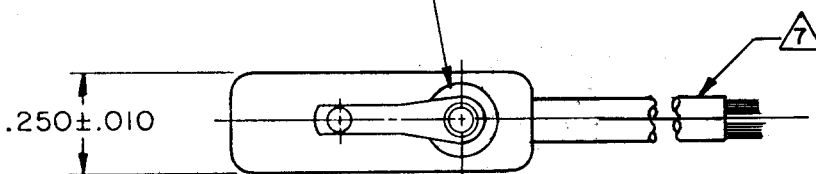
CHECK

26 OCT 79

CHECK

26 OCT 79

WOBBLEFRAM ACTUATOR SEAL

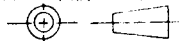


NOTE-

- 1 MOUNTING HOLES WILL ACCEPT PINS OR SCREWS OF .087 MAX DIA ON .375 ± .002 CENTERS
- 2 - FOR USE IN TEMPERATURE RANGE -300° TO +392° F
- 3 - HERMETICALLY SEALED (METAL-TO-METAL, GLASS-TO-METAL)
- 4 - ALL EXPOSED PARTS ARE OF CORROSION RESISTANT MATERIALS
- 5 - 24 K GOLD MOVABLE CONTACT
- 6 - DO NOT APPLY MORE THAN 1/2 INCH-LBS OF TORQUE WHEN TIGHTENING MOUNTING SCREWS
- 7 (2) NO. 24 WIRE LEAD PER MIL 22759/11 (COMMON: RED, NORMALLY - OPEN: GREEN)
- 8 GOLD ALLOY STATIONARY CONTACTS
- 9 WEIGHT OF SWITCH ONLY 0.22 OZ MAX. WEIGHT OF CONDUCTOR GROUP ONLY IS 0.14 OZ MAX PER FOOT
- 10 POTTING OF TERMINAL AREA RECOMMENDED
- 11 - CONFIGURATION CONTROL PER BENDIX CCR -0032

THIS DRAWING COVERS A PROPRIETARY ITEM AND IS THE PROPERTY OF MICRO SWITCH, A DIVISION OF HONEYWELL. THIS DRAWING IS NOT TO BE COPIED OR USED WITHOUT THE APPROVAL OF MICRO SWITCH.

THIRD ANGLE PROJECTION



CHARACTERISTICS

OPERATING FORCE ----- 7 OZ. MAX
RELEASE FORCE ----- 1 OZ. MIN
DIFFERENTIAL TRAVEL ----- .006 MAX
OVERTRAVEL ----- .003 MIN

ELECTRICAL DATA

CONTACT ARRANGEMENT
S P N O

28 VOLTS DC RATING

INDUCTIVE ----- SEA LEVEL ----- 1/4 AMP
70,000 FT ----- 1/4 AMP
RESISTIVE ----- SEA LEVEL ----- 1 AMP
70,000 FT ----- 1 AMP

SCALE 2 TO 1

DO NOT SCALE PRINT

TOLERANCES

APPLY TO DESIGN UNITS. CONVERSIONS ARE ONLY FOR REFERENCE. UNLESS NOTED, TOLERANCES ARE:

DIM.	TOL.	DIM.	TOL.
mm	mm/in	in	mm/in
NO PLACES	X	1/04	
ONE PLACE	X,X	0.4/0.16	X X 0.8/0.3
TWO PLACES	X,XX	0.15/0.06	X XX 0.38/0.15
THREE PLACES	X,XXX		X XXX 0.13/0.05

DESIGN UNITS METRIC US CUSTOMARY

WEIGHT 9

FO-52848-A

DRAWN

G J W