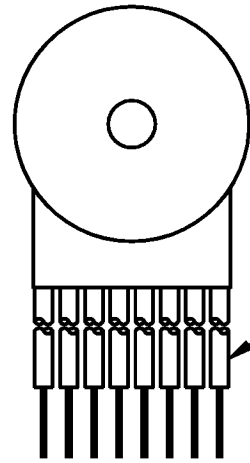
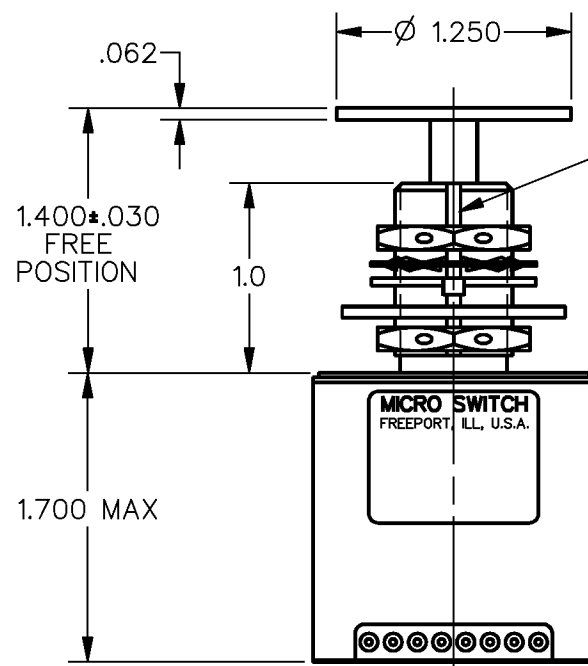
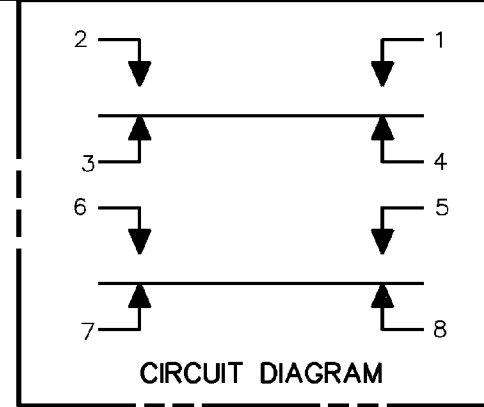


HONEYWELL
PART NUMBER
4EN87-6
FAA-PMA

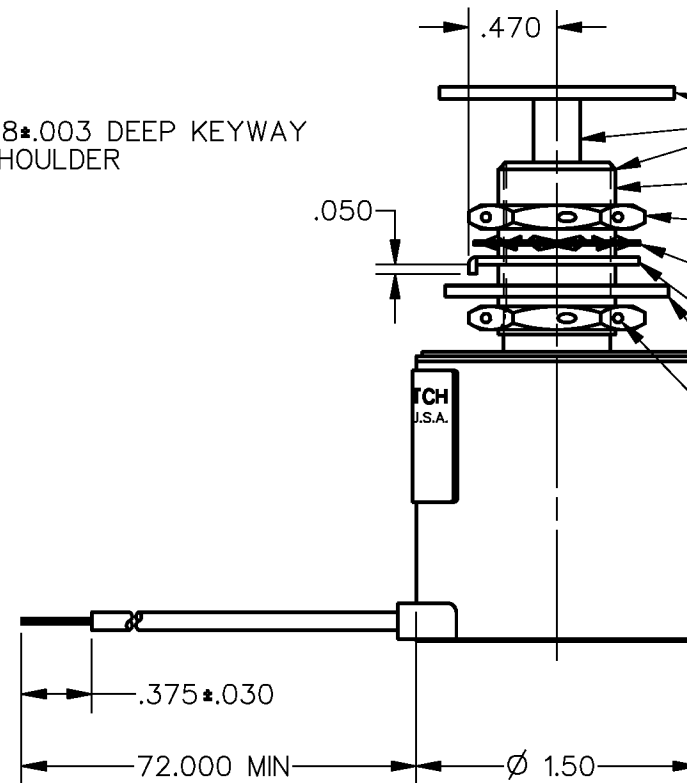
REV	DOCUMENT	CHANGED BY	CHECK
4	0011614	KSR 04MAR05	AK



8X NO. 20 WIRE LEAD PER MIL-W-22759/7
MARKED WITH CIRCUIT IDENTIFICATION AND WIRE
GAGE (1-20, 2-20, ECT.) PER MIL-W-5088



.072 ± .004 WIDE X .038 ± .003 DEEP KEYWAY
TO WITHIN .250 OF SHOULDER



- CORROSION RESISTANT STEEL PLATE, PLUNGER AND BUSHING
- 5/8-24 UNEF-2A THREAD TO WITHIN .125 OF SHOULDER
- 2X CORROSION RESISTANT STEEL HEX NUT .812 ACROSS FLATS X .125 THICK (MS 21340-05)
- CORROSION RESISTANT STEEL INTERNAL TOOTH LOCKWASHER, Ø .87 X (.022) THICK
- CORROSION RESISTANT STEEL KEYING WASHER, Ø .87 X .040 THICK, TAB .110 WIDE (MS 25081C6)
- CORROSION RESISTANT STEEL WASHER Ø 1.187 X .062 THICK
- 3X Ø .047 HOLES FOR WIRE LOCKING

- NOTES
- CORROSION RESISTANT STEEL ENCLOSURE
 - SWITCH SEALED PER MIL-S-8805, SYMBOL 4
 - COINCIDENCE OF OPERATION AND RELEASING POINTS: .010 OF PLUNGER TRAVEL
 - CIRCUIT DIAGRAM, CATALOG LISTING, DATE CODE, FED. MFG. CODE AND FAA-PMA ARE SHOWN ON NAMEPLATE
 - APPLICATION INFORMATION ONLY
 - FOR MANUFACTURING DETAILS SEE ASSEMBLY DRAWING 4EN87-6 FOR FAA-PMA

CHARACTERISTICS
OPERATING FORCE ———— 6-12 LB
FULL OVERTRAVEL FORCE ——— 30 LB MAX
RELEASE FORCE ———— 5 LB MIN
PRETRAVEL ———— .070 MAX
DIFFERENTIAL TRAVEL ——— .045 MAX
OVERTRAVEL ———— .250 MIN

ELECTRICAL DATA		
CONTACT ARRANGEMENT SEE CIRCUIT DIAGRAM		
LOAD	28 VDC	
	SEA LEVEL	50,000 FT.
RES	10	10
IND	10	10
MOTOR	5	5 ⁵

DESIGN UNITS: INCH
TOLERANCES UNLESS NOTED:
NO PLACE X ±
ONE PLACE .X ± 0.030
TWO PLACE .XX ± 0.015
THREE PLACE .XXX ± 0.005
FOUR PLACE .XXXX ±
ANGLES ±
THIRD ANGLE PROJECTION

DRAWN	SAV	15APR91
CHECK	AK	04MAR05
THIS DRAWING COVERS A PROPRIETARY ITEM AND IS THE PROPERTY OF HONEYWELL. THIS DRAWING IS NOT TO BE COPIED OR USED WITHOUT THE PERMISSION OF HONEYWELL.		
INTERPRET PER ASME Y14.5M-1994 OTHER HONEYWELL ENGINEERING STANDARDS MAY APPLY		
RASTER		

Honeywell

TITLE
SWITCH - ENCLOSED

SIZE	TYPE	DRAWING NAME	REV
B	I	4EN87-6	4
SCALE	1:1	WEIGHT 13 OZ MAX	SHEET 1 OF 1