

# MICRO SWITCH

FREEDPORT ILLINOIS, U.S.A  
A DIVISION OF HONEYWELL

FED. MFG. CODE 91929

# ASSEMBLY- TOGGLE SWITCH

CATALOG LISTING

## 48ATI-T

X 37016

**M** 48ATI-T

REPLACES

RELEASE NO. PR-2841

DRAWING  
NUMBER

ISSUE

CHECK

REVISIONS

CHECK

72

4 OCT 72

MGG

CHECK

72

4 OCT 72

LS D

CHECK

72

SEP 6

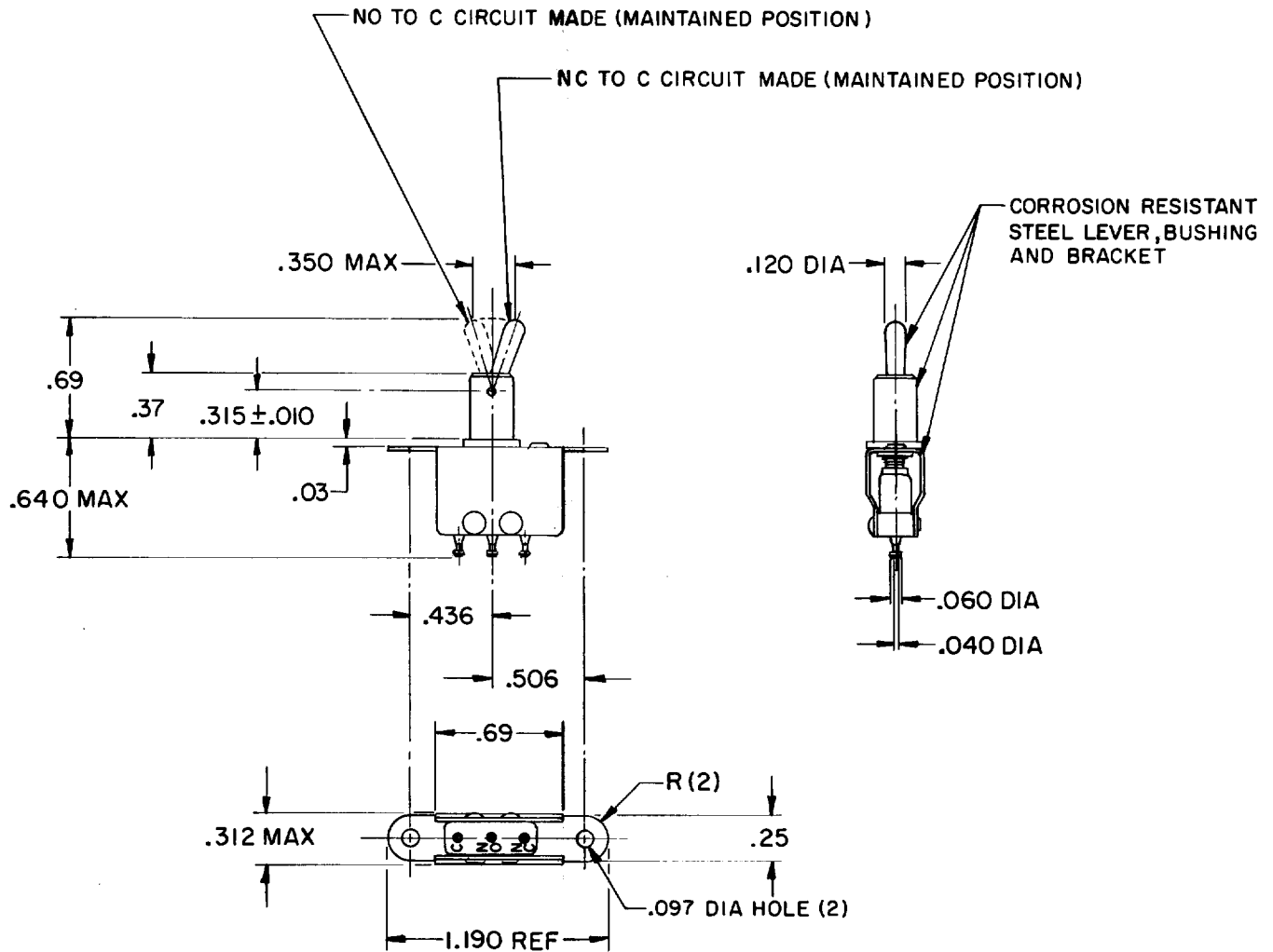
RE R

6

SEP 6

FO-52848

DRAWN



**NOTE-**

- 1 - UNIT INCLUDES CATALOG LISTING 21SX42-T BASIC SWITCH
- 2 - TERMINALS ARE PLATED FOR SOLDERING

THIS DRAWING COVERS A PROPRIETARY ITEM AND IS THE PROPERTY OF MICRO SWITCH, A DIVISION OF HONEYWELL. THIS DRAWING IS NOT TO BE COPIED OR USED WITHOUT THE APPROVAL OF MICRO SWITCH.

### CHARACTERISTICS

OPERATING FORCE - - - - - 8 OZ MIN

### ELECTRICAL DATA

CONTACT ARRANGEMENT  
S P D T

28 VOLTS DC RATING	INDUCTIVE	SEA LEVEL	4 AMP
		50,000 FT	2.5 AMP
RESISTIVE		SEA LEVEL	7 AMP
		50,000 FT	4 AMP
LAMP		SEA LEVEL	2.5 AMP
		50,000 FT	2.5 AMP
115 VOLTS AC, 60 cps	INDUCTIVE	SEA LEVEL	7 AMP
	RESISTIVE	SEA LEVEL	7 AMP
	LAMP	SEA LEVEL	2 AMP

SCALE FULL

DO NOT SCALE PRINT

UNLESS OTHERWISE NOTED  
DIMENSIONS ARE IN INCHES

**TOLERANCES ARE**

ONE PLACE (.0) ± .030

TWO PLACE (.00) ± .015

THREE PLACE (.000) ± .005

ANGLES ±

WEIGHT