

**MICRO SWITCH**

FREEPORT ILLINOIS U.S.A.  
A DIVISION OF HONEYWELL

FED MFG CODE 9129

**SWITCH - ENCLOSED**

CATALOG LISTING  
**424EN15-5**

424EN15-5

M

DRAWING NUMBER

13

ISSUE

10

REVISIONS

A	CO44351	KAK	19 FEB 80
B	CO47873 PART 4	RJH	14 AUG 80
C	CO57370	JAP	13 MAY 85
D	CO88454	YSR	14 NOV 85
E	CO74101	GJW	30 JAN 93
F	775048	LCU	16 MAY 94

RELEASE NO. SR-12348 REPLACES

CHECK

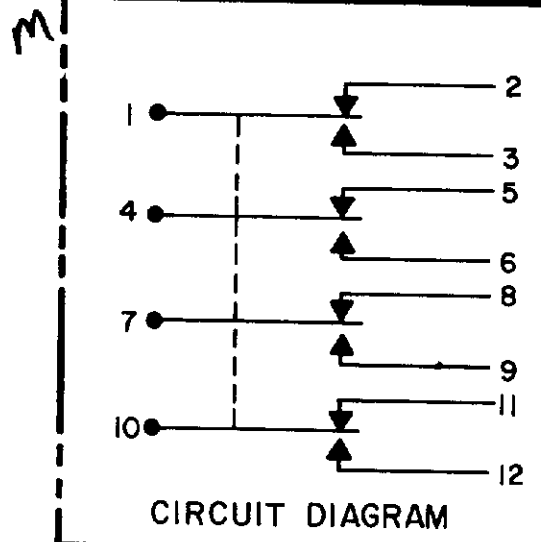
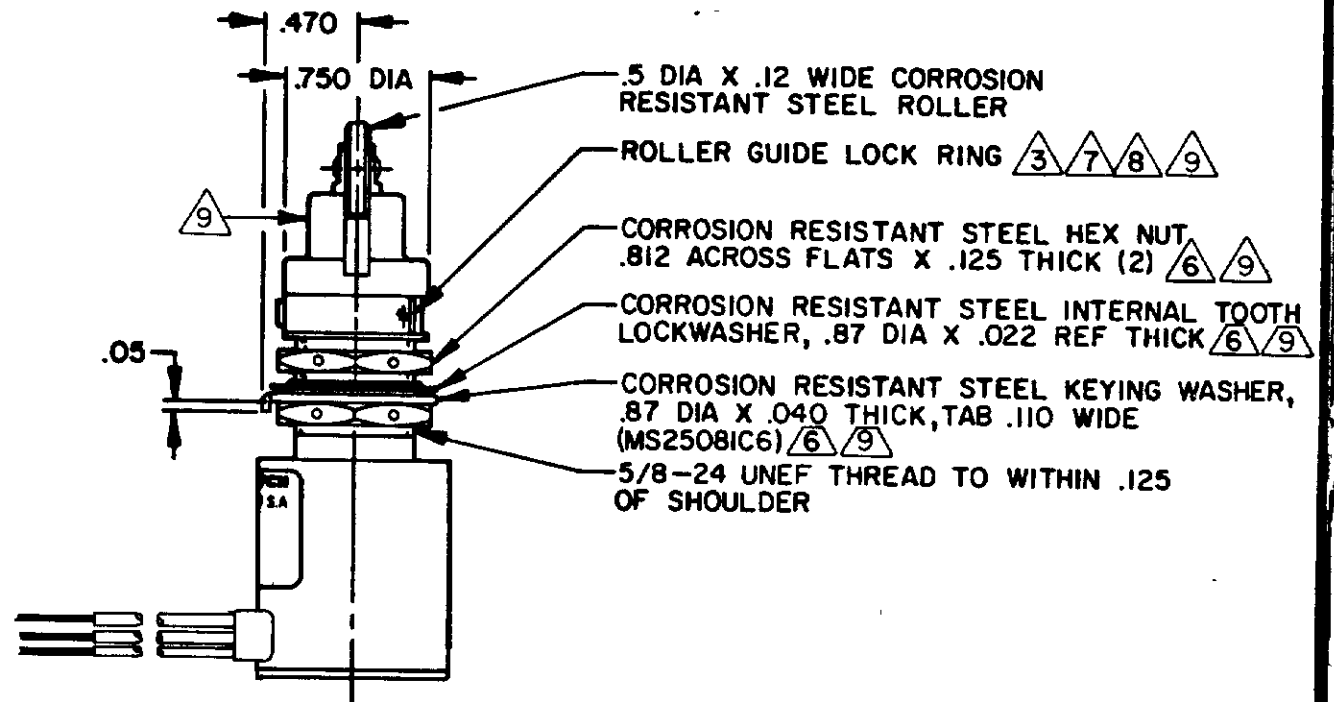
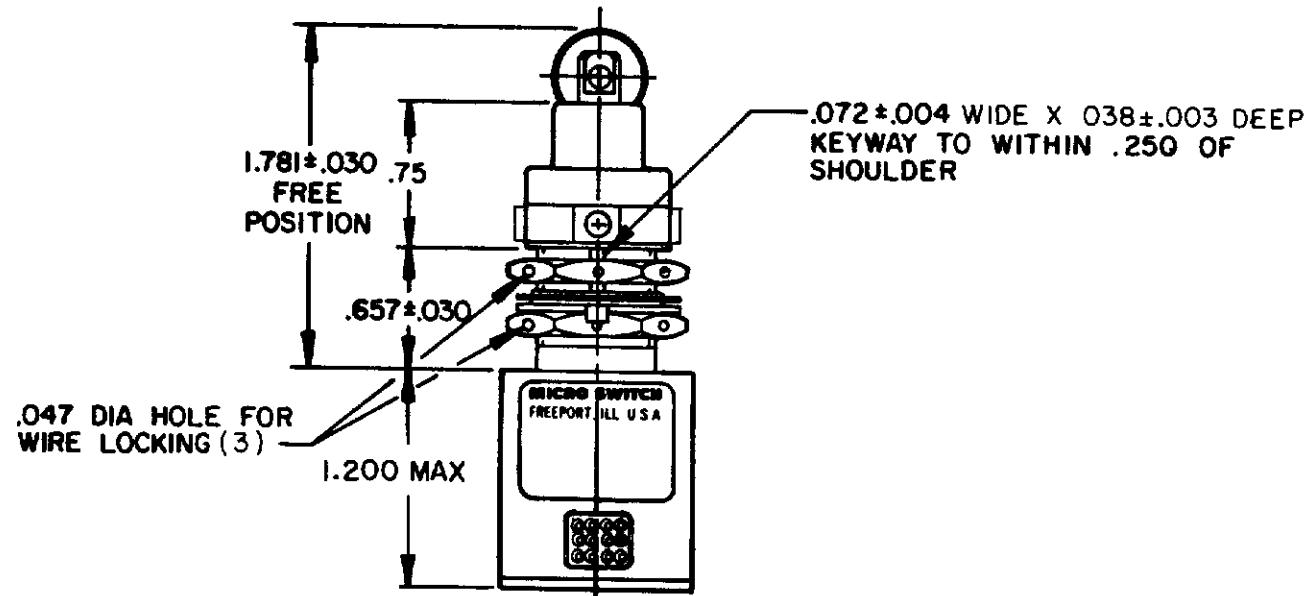
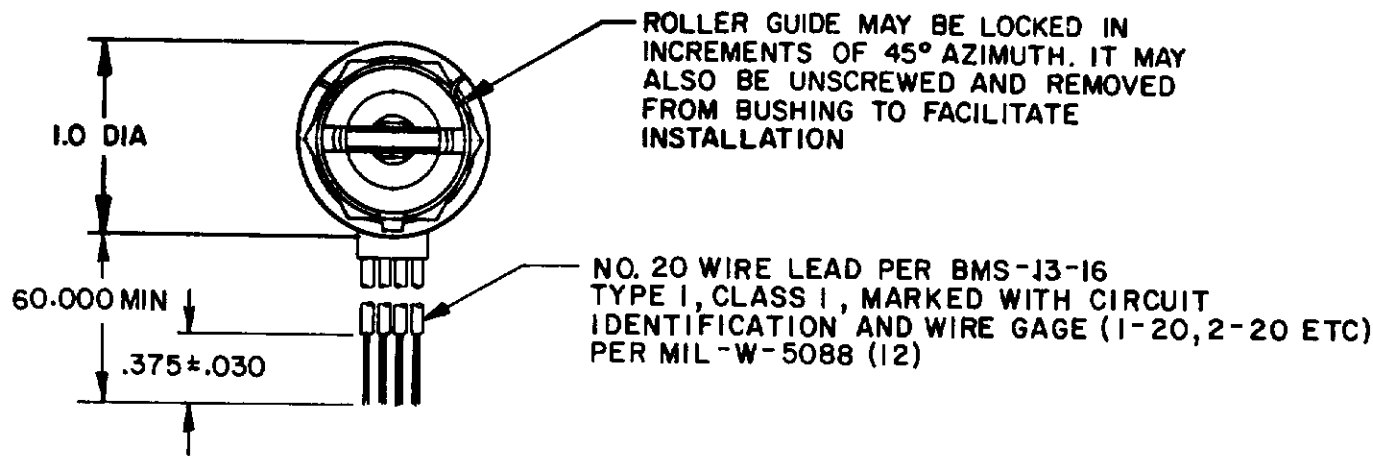
CHECK

CHECK

CHECK

CHECK

CHECK



CIRCUIT DIAGRAM

NOTES

- 1 - CORROSION RESISTANT STEEL ENCLOSURE
- 2 - SWITCH SEALED PER MIL-S-8805 SYMBOL 4
- (3) TO ADJUST ROLLER DIRECTION, REMOVE ROLLER GUIDE LOCK RING, SCREW ROLLER GUIDE DOWN AS FAR AS POSSIBLE, THEN UNSCREW TO DESIRED DIRECTION. SECURE BY REPLACING ROLLER GUIDE LOCK RING
- 4 - COINCIDENCE OF OPERATING AND RELEASING POINTS: .010 OF PLUNGER TRAVEL
- 5 - CIRCUIT DIAGRAM AND CAT. LIST. ARE SHOWN ON NAMEPLATE
- (6) REPLACEMENT MOUNTING HARDWARE PACKET 19PA8
- (7) REPLACEMENT ROLLER GUIDE AND LOCK RING PACKET 15PA104
- (8) REPLACEMENT LOCK RING PACKET 15PA137
- (9) HARDWARE MAY BE PACKAGED UNASSEMBLED PER MIL-S-8805

THIS DRAWING COVERS A PROPRIETARY ITEM AND IS THE PROPERTY OF MICRO SWITCH, A DIVISION OF HONEYWELL. THIS DRAWING IS NOT TO BE COPIED OR USED WITHOUT THE APPROVAL OF MICRO SWITCH.

THIRD ANGLE PROJECTION

SCALE FULL

DO NOT SCALE PRINT

CHARACTERISTICS	
OPERATING FORCE	6-12 LB
FULL OVERTRAVEL FORCE	30 LB MAX
RELEASE FORCE	4 LB MIN
PRETRAVEL	.040 MAX
DIFFERENTIAL TRAVEL	.020 MAX
OVERTRAVEL	.250 MIN

ELECTRICAL DATA		
CONTACT ARRANGEMENT		
SPDT (4)		
LOAD	28 VDC	
	SEA LEVEL	50,000 FT.
RES	7	7
IND	4	2.5
MOTOR	4	

TOLERANCES				
APPLY TO DESIGN UNITS. CONVERSIONS ARE ONLY FOR REFERENCE. UNLESS NOTED, TOLERANCES ARE 2				
NO. PLACES	DIM	TOL	DIM	TOL
ONE PLACE	IN	1/64	MM	0.2500
TWO PLACES	IN	0.0005	MM	0.00125
THREE PLACES	IN	0.0001	MM	0.00250
ANGLES				

DESIGN UNITS:  METRIC  US CUSTOMARY

RAZ MATERIAL-COMMERCIAL STANDARD  
MICRO SWITCH STANDARDS APPLY  
DIMENSIONS ARE TO BE MET BEFORE PROTECTIVE COATINGS ARE APPLIED

WEIGHT 10.2 OZ MAX

FO-22851-A

DRAWN

KAK

19 FEB 80