

MICRO SWITCH
 FREEPORT ILLINOIS U.S.A.
 A DIVISION OF HONEYWELL
 FED. MFG. CODE 91929

SWITCH - ENCLOSED

CATALOG LISTING
424HE23-RB

THIS DRAWING COVERS A PROPRIETARY ITEM AND IS THE PROPERTY OF MICRO SWITCH A DIVISION OF HONEYWELL THIS DRAWING IS NOT TO BE COPIED OR USED WITHOUT THE APPROVAL OF MICRO SWITCH.

M 424HE23-RB

REPLACES

PR-4137-T

DRAWING NUMBER

ISSUE

REVISIONS

A	PR-4137-T	J A L	24 JUNE 74
B	34007	GLH	24 JUL 74
C	CO35243	DBW	6 MAY 75
D	CO35834	K P K	22 JUL 75
E	CO36019	R E R	29 OCT 75
F	CO44351	S J B	28 NOV 78
G	CO47573	T S M	16 JULY 80
H	CO48605	K A G	18 MAR 81
J	CO68422	M A M	6 SEP 90

CHECK

3 JULY 74

CHECK

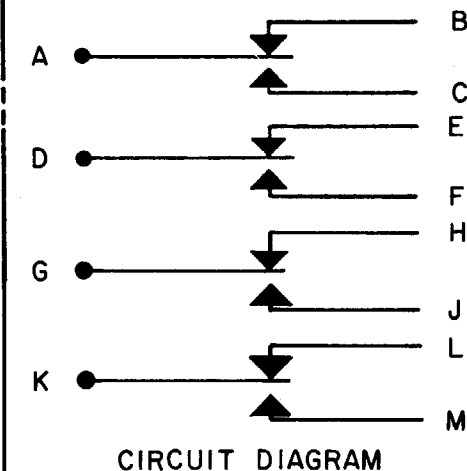
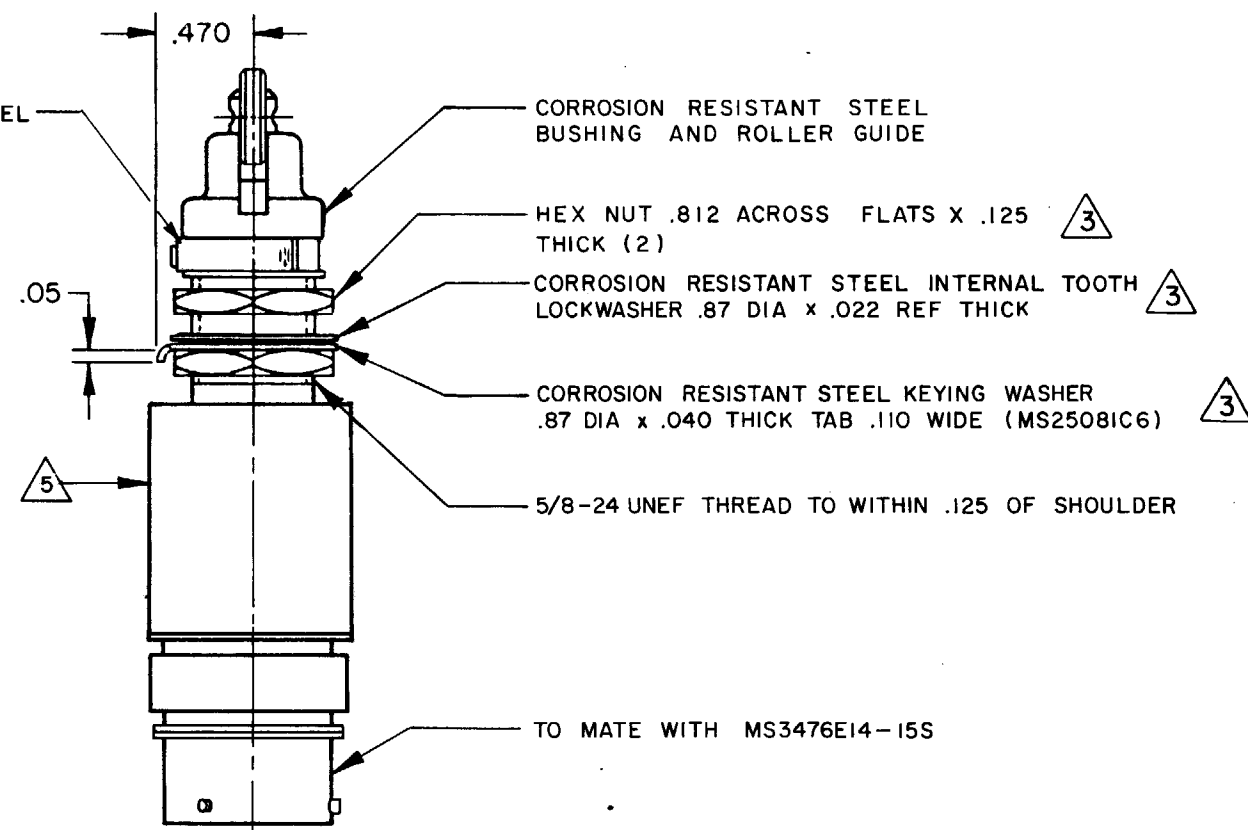
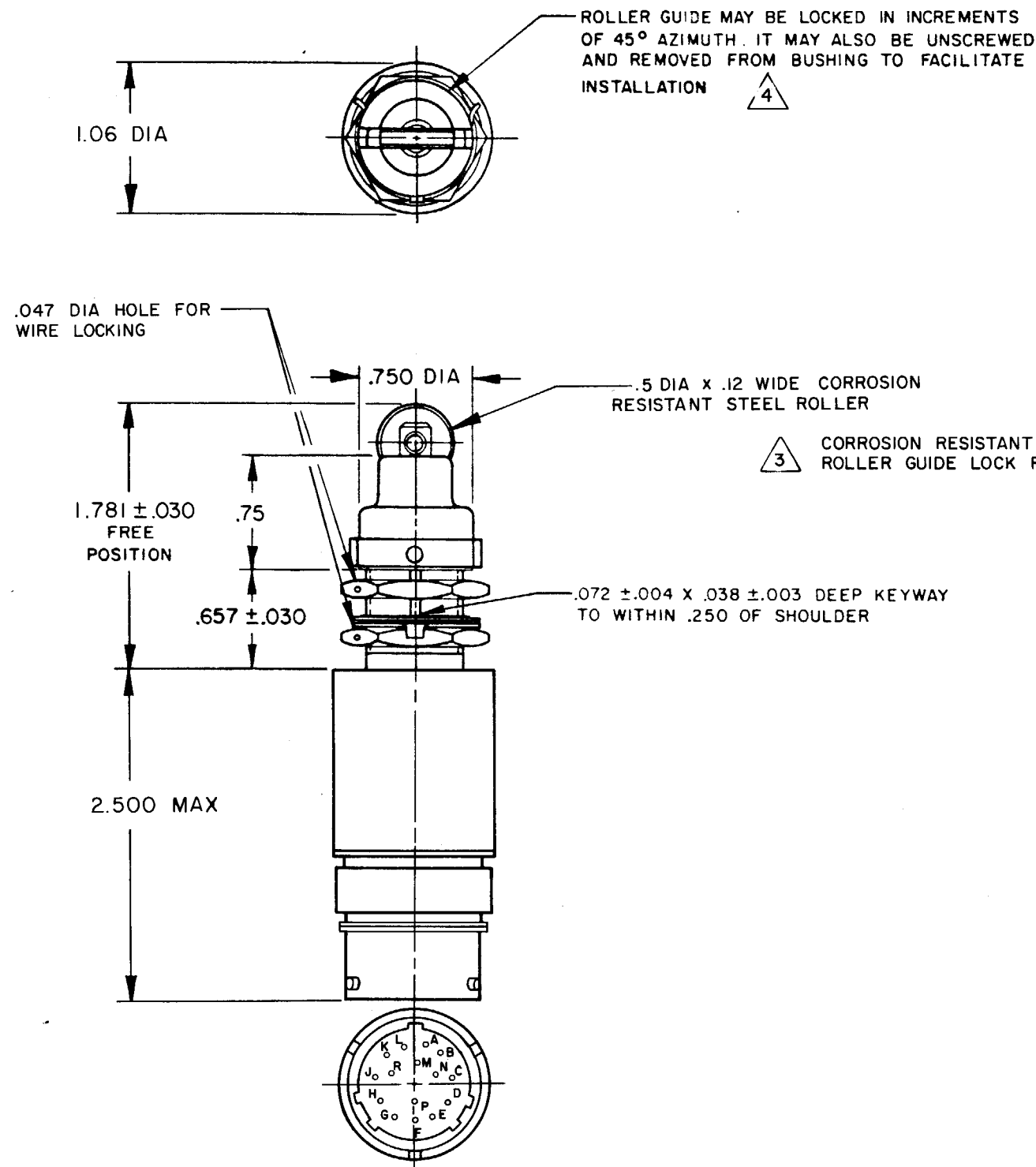
30 JUNE 74

CHECK

29 JUNE 74

CHECK

24 JUNE 74



NOTES

- 1 - CORROSION RESISTANT STEEL ENCLOSURE
- 2 - SWITCH SEALED PER MIL-S-8805 SYMBOL 5
- $\triangle 3$ HARDWARE MAY BE PACKAGED UNASSEMBLED PER MIL-S-8805
- $\triangle 4$ TO ADJUST ROLLER DIRECTION, REMOVE ROLLER GUIDE LOCKRING, SCREW ROLLER GUIDE DOWN AS FAR AS POSSIBLE, THEN UNSCREW TO DESIRED DIRECTION. SECURE BY REPLACING ROLLER GUIDE LOCKRING
- $\triangle 5$ CIRCUIT DIAGRAM AND CATALOG LISTING ARE SHOWN ON NAMEPLATE
- 6 COINCIDENCE OF OPERATING AND RELEASING POINTS: .010 INCH OF PLUNGER TRAVEL

CHARACTERISTICS	ELECTRICAL DATA		SCALE FULL
OPERATING FORCE ----- 6-12 LB	CONTACT ARRANGEMENT		DO NOT SCALE PRINT
FULL OVERTRAVEL FORCE ----- 30 LB MAX	S P D T (4)		UNLESS OTHERWISE NOTED
RELEASE FORCE ----- 4 LB MIN	LOAD	28 VDC	DIMENSIONS ARE IN INCHES
PRETRAVEL ----- .040 MAX	RES	SEA LEVEL 3	TOLERANCES ARE:
DIFFERENTIAL TRAVEL ----- .020 MAX	IND	100,000 FT. 3	ONE PLACE .01 .030
OVERTRAVEL ----- .250 MIN			TWO PLACE .001 .015
			THREE PLACE .0001 .005
			ANGLES ±
			WEIGHT

FO-92851

DRAWN

J A L 24 JUNE 74