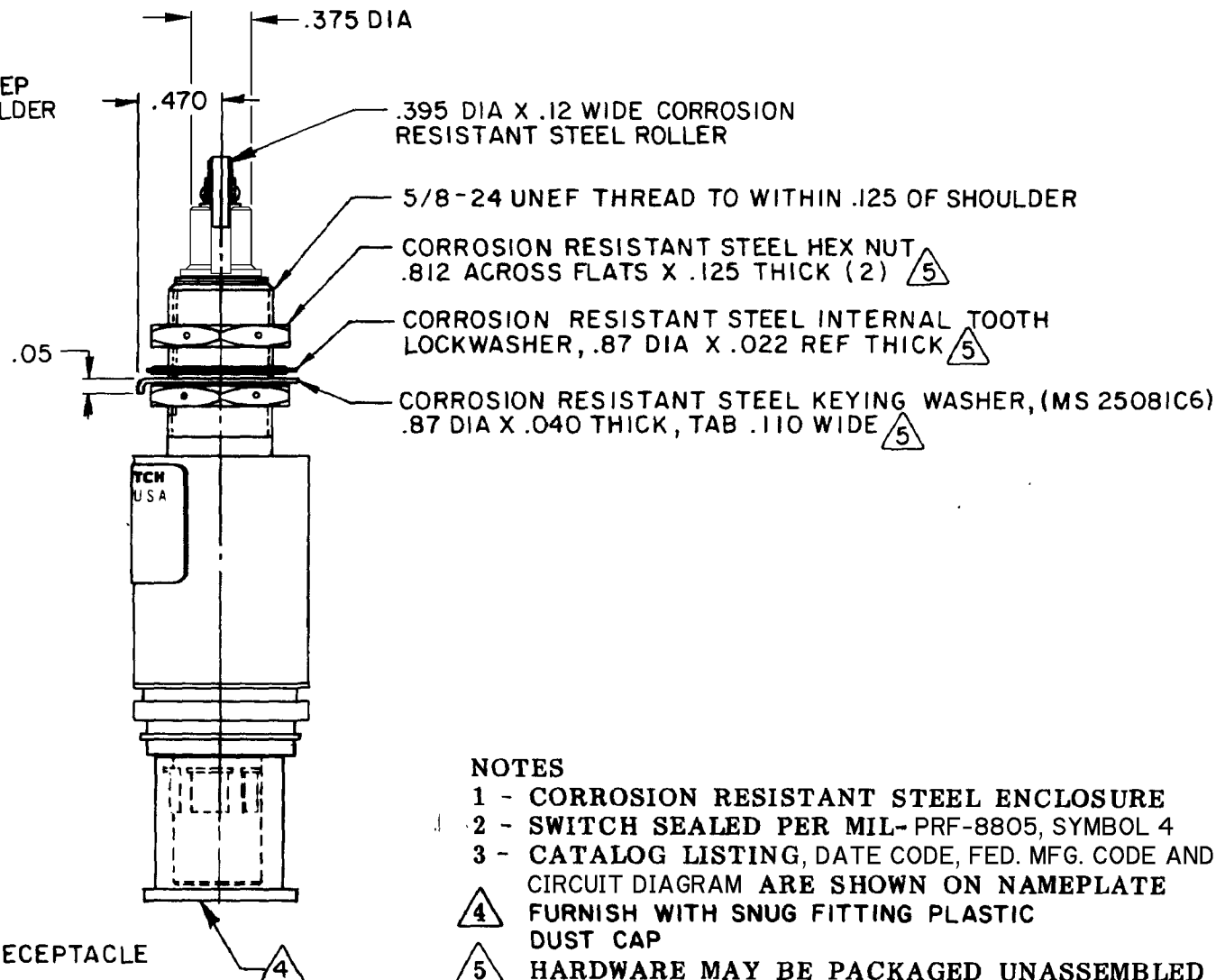
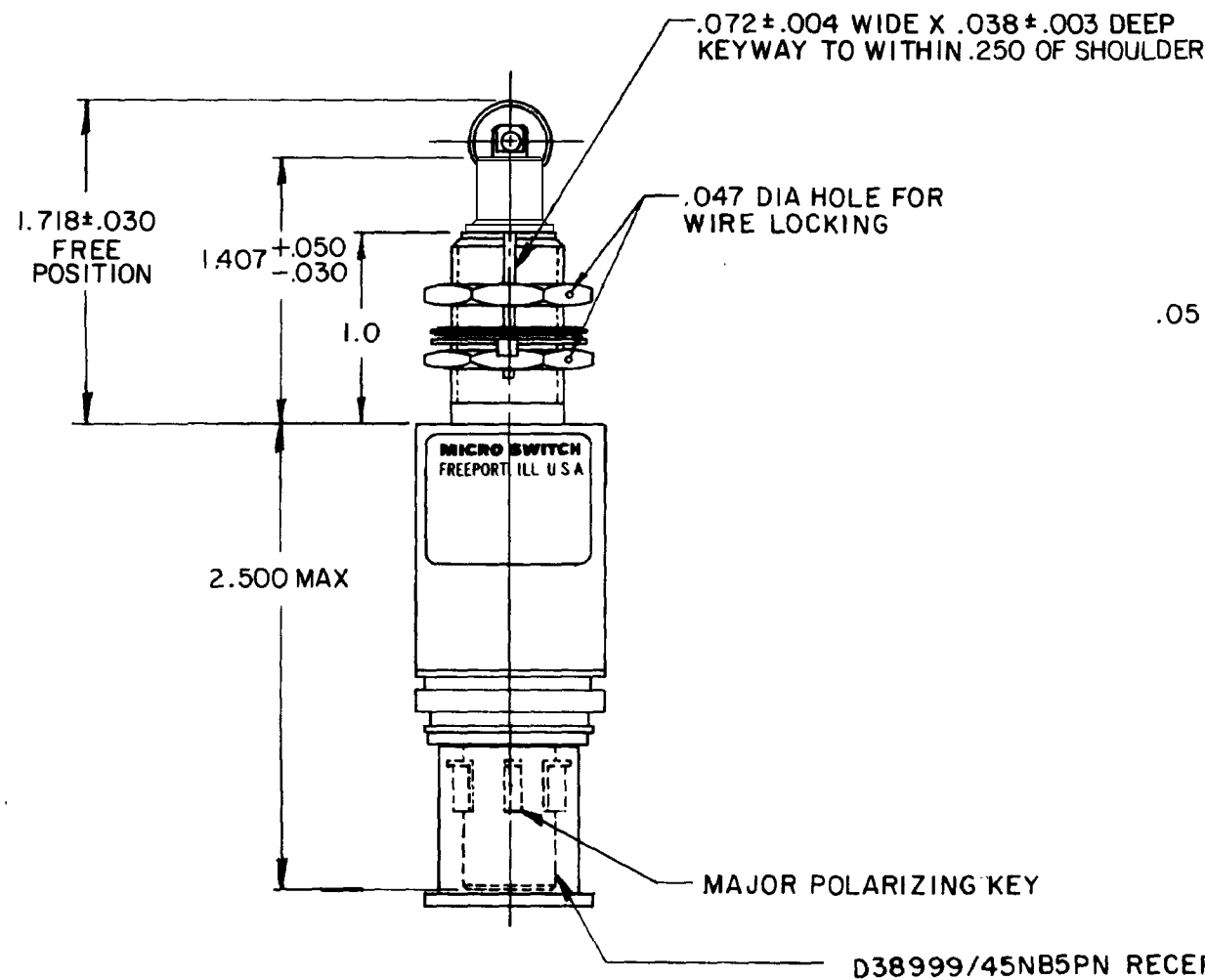
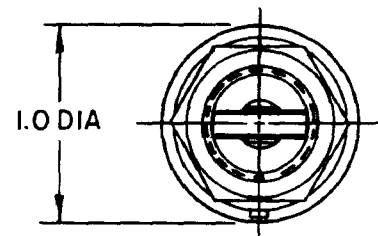
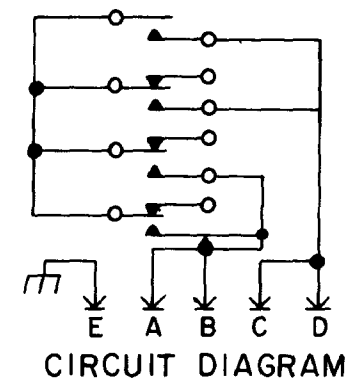


MICRO SWITCH
 FREEPORT ILLINOIS U.S.A.
 A DIVISION OF HONEYWELL
 FED. MFG. CODE 91929

SWITCH - ENCLOSED

CATALOG LISTING
424EN31-RB



NOTES

- 1 - CORROSION RESISTANT STEEL ENCLOSURE
- 2 - SWITCH SEALED PER MIL-PRF-8805, SYMBOL 4
- 3 - CATALOG LISTING, DATE CODE, FED. MFG. CODE AND CIRCUIT DIAGRAM ARE SHOWN ON NAMEPLATE
- 4 FURNISH WITH SNUG FITTING PLASTIC DUST CAP
- 5 HARDWARE MAY BE PACKAGED UNASSEMBLED PER MIL-PRF-8805
- 6 - BLUE PAINT ON POLARIZING KEY IS UNDAMAGED

424EN31-RB
 PAGE 1 OF 1
 DRAWING NUMBER
 ISSUE 10
 REVISIONS
 A CO 53362 24 JUN 83
 B 0063655 JAP 14 SEPT 83
 C 54289 6 DEC 83
 D 059234 27 MAR 86
 E 074101 8 FEB 93
 F 077148 11 JAN 94
 G 77504 C 27 JUL 94
 H 0081941 TSM 14 NOV 95
 J 0094855 TSM 26 MAR 99
 FORMTEK FO-82851-B
 DRAWN
 K A G 6 AUG 82
 CHECK C E B
 RELEASE NO. PR-11238-T REPLACES

THIS DRAWING COVERS A PROPRIETARY ITEM AND IS THE PROPERTY OF MICRO SWITCH A DIVISION OF HONEYWELL THIS DRAWING IS NOT TO BE COPIED OR USED WITHOUT THE APPROVAL OF MICRO SWITCH

CHARACTERISTICS	
OPERATING FORCE	6-12 LB
FULL OVERTRAVEL FORCE	30 LB MAX
RELEASE FORCE	4 LB MIN
PRETRAVEL	.040 MAX
DIFFERENTIAL TRAVEL	.020 MAX
OVERTRAVEL	.250 MIN

ELECTRICAL DATA	
CONTACT ARRANGEMENT S P D T (2)	
28 VDC	
LOAD	SEA LEVEL 50,000 FT.
RES	1
IND	.5 .5

TOLERANCES			
APPLY TO DESIGN UNITS CONVERSIONS ARE ONLY FOR REFERENCE UNLESS NOTED TOLERANCES ARE :			
DIM	TOL	DIM	TOL
mm	mm/in	in	mm/in
NO PLACES	X	1/04	X
ONE PLACE	X,X	0.4/016	X X
TWO PLACES	X,XX	0.16/008	X XX
THREE PLACES	X,XXX	0.13/005	X XXX
ANGLES			

DESIGN UNITS METRIC US CUSTOMARY

THIRD ANGLE PROJECTION

WEIGHT 7.0 OZ MAX

