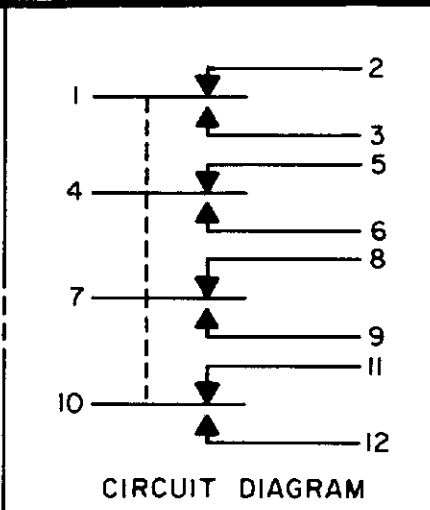


MICRO SWITCH
 FREEPORT ILLINOIS U.S.A.
 A DIVISION OF HONEYWELL
 FED MFG CODE 91929

SWITCH - ENCLOSED

CATALOG LISTING
404EN87-6

M



404EN87-6

M

DRAWING NUMBER

8 8

ISSUE

5 3

RELEASE NO. PR-6759 REPLACES

CHECK

REVISIONS

A	CO44351	CEB	27 SEP 79
B	CO46777	JAK	2 DEC 92
C	CO57370	Y SK	15 MAY 85
D	CO73927	JAK	2 DEC 92
E	CO74101	BJW	30 JAN 93
F	77504-B	CO	16 MAY 94

CHECK

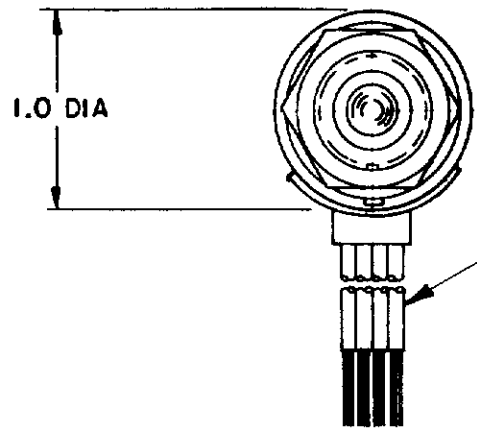
27 SEP 79

CHECK

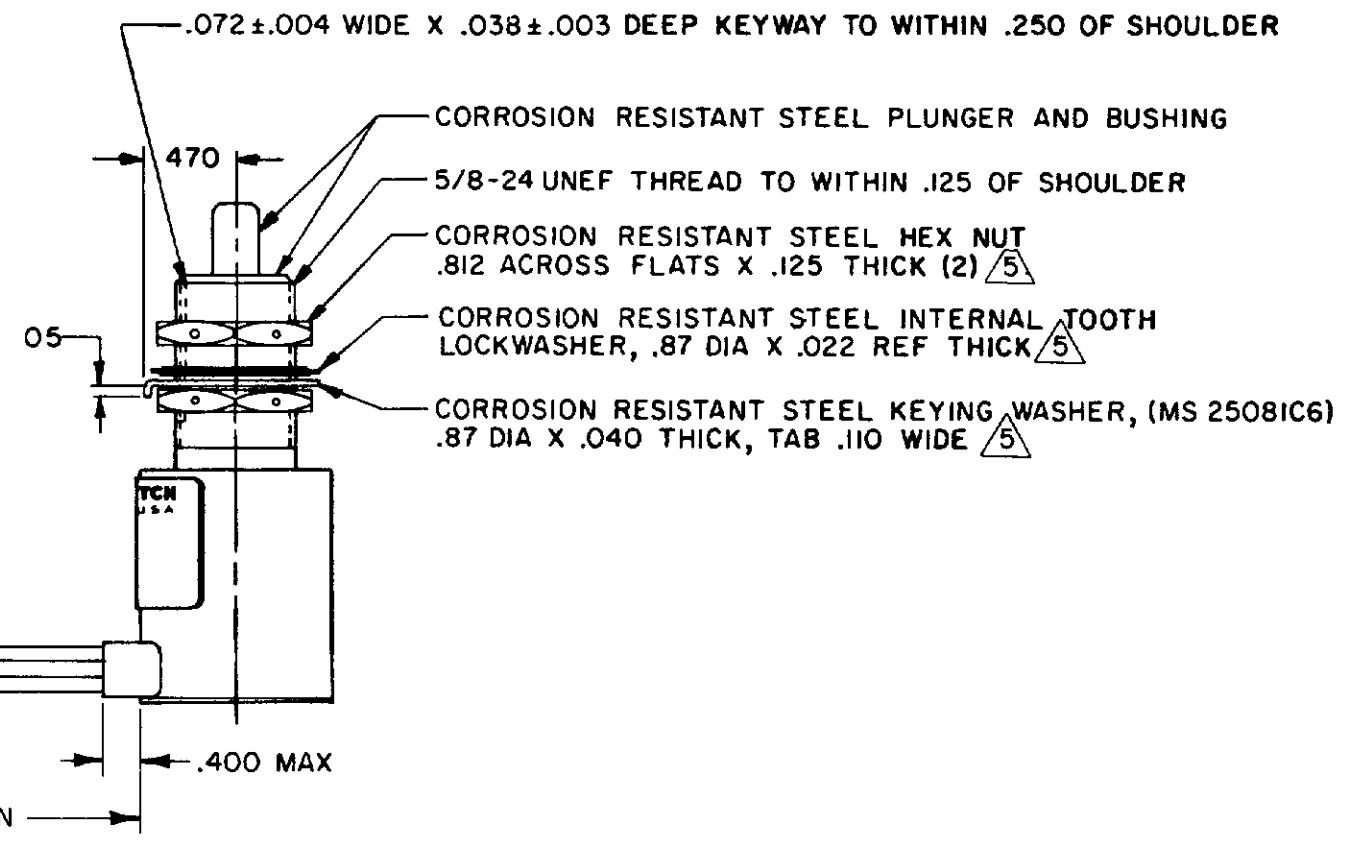
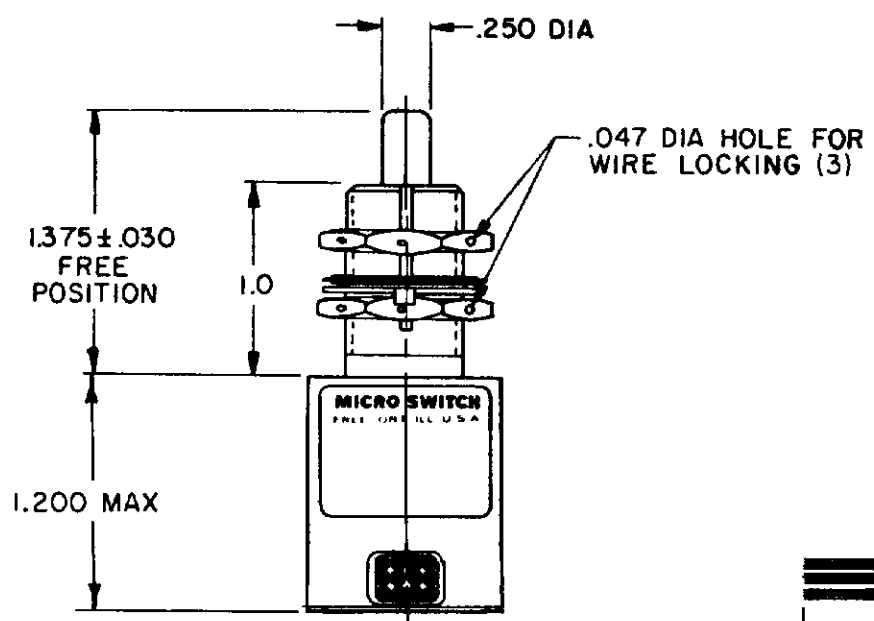
27 SEP 79

DRAWN

CEB



NO. 20 WIRE LEAD PER MIL-W-22759/7 MARKED WITH CIRCUIT IDENTIFICATION AND WIRE GAGE (1-20, 2-20, ETC) PER MIL-W-5088 (12)



- NOTES
- 1 - CORROSION RESISTANT STEEL ENCLOSURE
 - 2 - SWITCH SEALED PER MIL-S-8805 SYMBOL 4
 - 3 - CIRCUIT DIAGRAM AND CATALOG LISTING ARE SHOWN ON NAMEPLATE
 - 4 - COINCIDENCE OF OPERATING AND RELEASING POINTS: .010 OF PLUNGER TRAVEL
- 5 HARDWARE MAY BE PACKAGED UNASSEMBLED PER MIL-S-8805

THIS DRAWING COVERS A PROPRIETARY ITEM AND IS THE PROPERTY OF MICRO SWITCH, A DIVISION OF HONEYWELL. THIS DRAWING IS NOT TO BE COPIED OR USED WITHOUT THE APPROVAL OF MICRO SWITCH.

THIRD ANGLE PROJECTION

SCALE FULL

DO NOT SCALE PRINT

CHARACTERISTICS	
OPERATING FORCE	6-12 LB
FULL OVERTRAVEL FORCE	30 LB MAX
RELEASE FORCE	4 LB MIN
PRETRAVEL	.040 MAX
DIFFERENTIAL TRAVEL	.020 MAX
OVERTRAVEL	.250 MIN

ELECTRICAL DATA	
CONTACT ARRANGEMENT S P D T (4)	
28 VDC	
LOAD	SEA LEVEL 50,000 FT.
RES	7 7
IND	4 2 5
MOTOR	4

TOLERANCES			
APPLY TO DESIGN UNITS CONVERSIONS ARE ONLY FOR REFERENCE UNLESS NOTED TOLERANCES ARE X			
DIM	TOL	DIM	TOL
mm	mm/in	in	mm/in
NO PLACES	H	0.4/0.16	H R
ONE PLACE	H, K	0.1/0.04	H R, X
TWO PLACES	H, K, X	0.15/0.06	H R, X, XX
THREE PLACES	H, K, X, XX	0.1/0.04	H R, X, XX, XXX
ANGLES			
DESIGN UNITS		SI METRIC <input type="checkbox"/> US CUSTOMARY <input checked="" type="checkbox"/>	
RAW MATERIAL - COMMERCIAL STANDARD			
MICRO SWITCH STANDARDS APPLY			
DIMENSIONS ARE TO BE MET BEFORE PROTECTIVE COATINGS ARE APPLIED			
WEIGHT		12.5 OZ MAX	