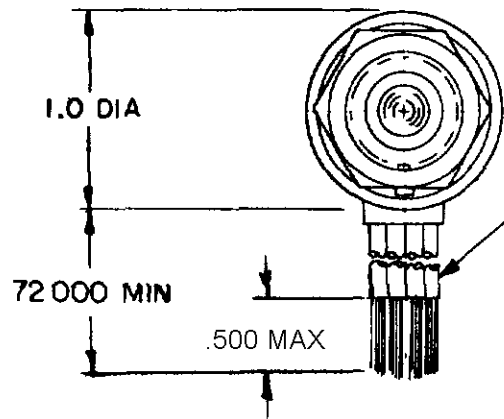
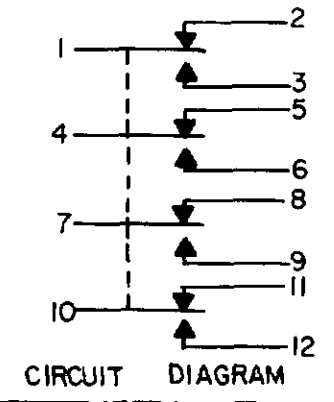


MICRO SWITCH

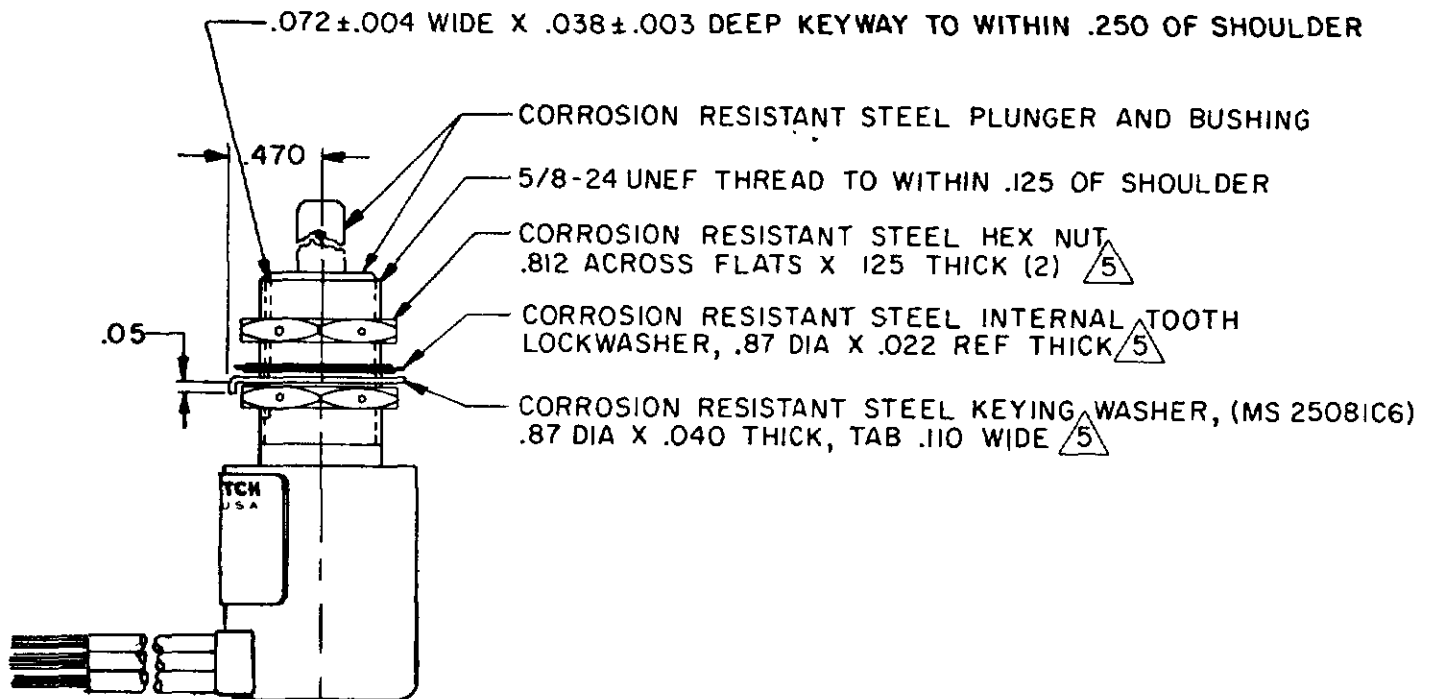
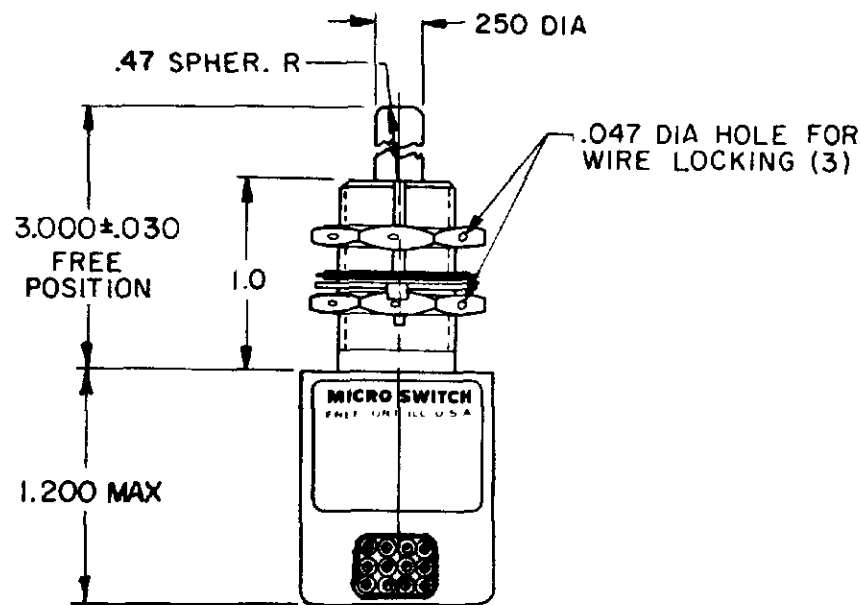
FREEPORT ILLINOIS U.S.A.
A DIVISION OF HONEYWELL
FED MFG CODE 91929

SWITCH-ENCLOSED

CATALOG LISTING
404EN36-6



(12) NO.20 WIRE LEAD PER MIL-W-22759/7
PERMANENTLY MARKED AT 3 INCH INTERVALS OR LESS
WITH SWITCH CIRCUIT IDENT. NUMBER FOLLOWED BY
WIRE GAGE NO. (1-20, 2-20, ETC)

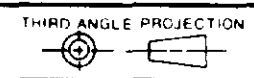


404EN36-6
 PAGE 1 OF 1
M
 DRAWING NUMBER
 ISSUE 20
 RELEASE NO SR 11332
 REPLACES
 CHECK 19JUL04
 CHECK 28 SEPT 79
 CHECK 26 SEP 79
 DRAWN
 GJW 26 SEP 79
 FO-3285 1-A

REVISIONS

A	CO44351	GJW	25 SEP 79
B	CO46777	JAP	12 NOV 79
C	CO46909	KAK	7 DEC 79
D	CO57370	TSR	15 MAY 85
F	CO74101	GJW	30 JAN 93
G	775048	SAD	5 MAY 94
H	201514	GJW	25 OCT 00
J	0006685	KSR	19 JUL 04

THIS DRAWING COVERS A PROPRIETARY ITEM AND IS THE PROPERTY OF MICRO SWITCH, A DIVISION OF HONEYWELL. THIS DRAWING IS NOT TO BE COPIED OR USED WITHOUT THE APPROVAL OF MICRO SWITCH



SCALE FULL

DO NOT SCALE PRINT

TOLERANCES
APPLY TO DESIGN UNITS. CONVERSIONS ARE ONLY FOR REFERENCE. UNLESS NOTED, TOLERANCES ARE:

DIM	TOL	DIM	TOL
mm	mm/in	in	mm/in
NO PLACES	X	15.04	
ONE PLACE	XX	0.47/0.16	0.01/0.03
TWO PLACES	XXX	0.15/0.06	0.38/0.015
THREE PLACES	XXXX		0.13/0.005

DESIGN UNITS: SI METRIC U.S. CUSTOMARY

ALL MATERIALS - COMMERCIAL STANDARD
MICRO SWITCH STANDARDS APPLY
DIMENSIONS ARE TO BE MET BEFORE
PROTECTIVE COATINGS ARE APPLIED

WEIGHT 18.2 OZ MAX

CHARACTERISTICS		ELECTRICAL DATA	
OPERATING FORCE	6-12 LB	CONTACT ARRANGEMENT	
FULL OVERTRAVEL FORCE	30 LB MAX	S P D T (4)	
RELEASE FORCE	4 LB MIN	LOAD	
PRETRAVEL	.040 MAX	28 VDC	
DIFFERENTIAL TRAVEL	.020 MAX	SEA LEVEL	50,000 FT.
OVERTRAVEL	.250 MIN	RES	7
		IND	4
		MOTOR	4

- NOTES
- 1 - CORROSION RESISTANT STEEL ENCLOSURE
 - 2 - SWITCH SEALED PER MIL-PRF-8805 SYMBOL 4
 - 3 - CIRCUIT DIAGRAM, CAT. LIST., AND DATE CODE ARE SHOWN ON NAMEPLATE
 - 4 - COINCIDENCE OF OPERATING AND RELEASING POINTS: .010 OF PLUNGER TRAVEL
- 5 HARDWARE MAY BE PACKAGED UNASSEMBLED PER MIL-PRF-8805