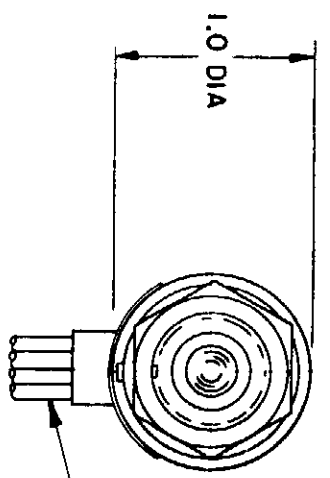


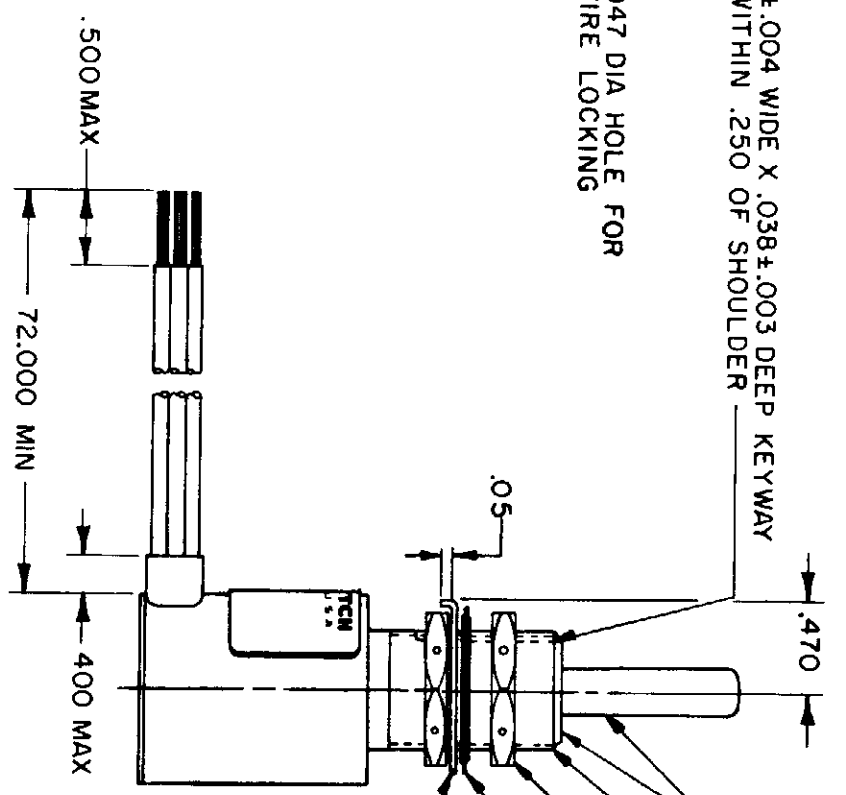
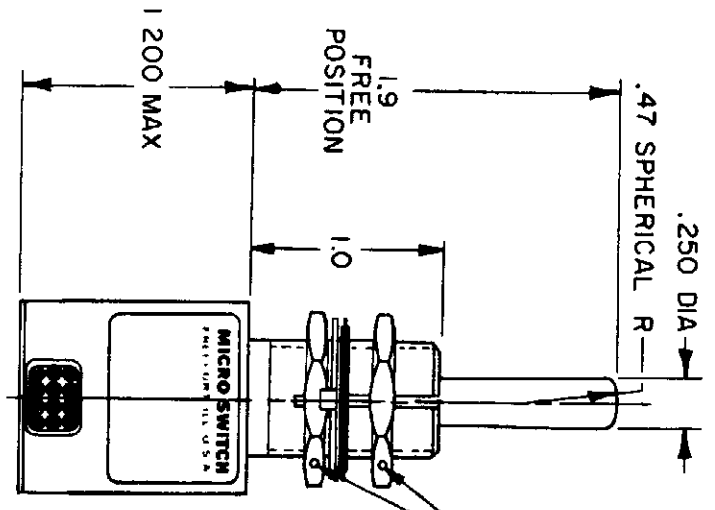
MICRO SWITCH
 FREEPORT, ILLINOIS, U.S.A.
 A DIVISION OF HONEYWELL
 FED. MFG. CODE 91229

SWITCH - ENCLOSED

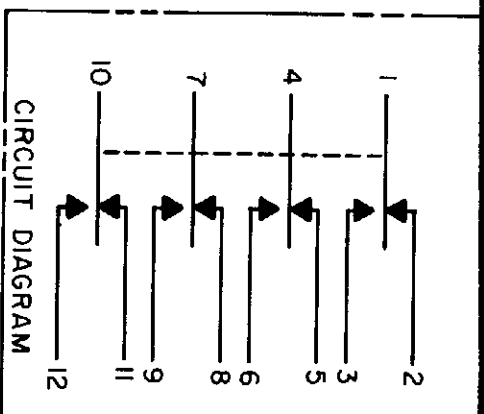
CATALOG LISTING
404EN233-6



NO. 20 WIRE LEAD PER MIL-W-22759/5
 MARKED WITH CIRCUIT IDENTIFICATION
 AND WIRE GAGE (1-20, 2-20, ETC) PER
 MIL-W-5088 (12)



CORROSION RESISTANT STEEL PLUNGER AND BUSHING
 5/8-24 UNEF THREAD TO WITHIN .125 OF SHOULDER
 CORROSION RESISTANT STEEL HEX NUT, Δ
 .812 ACROSS FLATS X .125 THICK (2)
 CORROSION RESISTANT STEEL INTERNAL TOOTH LOCKWASHER, .87 DIA X .022 REF THICK Δ
 CORROSION RESISTANT STEEL KEYING WASHER, (MS 25081C6)
 .87 DIA X .040 THICK, TAB .110 WIDE Δ



ISSUE	8	6	DRAWING NUMBER	M	404EN233-6
ISSUE	X	X	NUMBER		

REVISIONS	A	GO44351	28 SEPT 79	C E B	28 SEPT 79	C E B	28 SEPT 79	CHECK	RJ	06JAN06	CHECK	RELEASE NO. PR-4107	REPLACES
-----------	---	---------	------------	-------	------------	-------	------------	-------	----	---------	-------	---------------------	----------

THIS DRAWING COVERS A PROPRIETARY ITEM AND IS THE PROPERTY OF MICRO SWITCH, A DIVISION OF HONEYWELL. THIS DRAWING IS NOT TO BE COPIED OR USED WITHOUT THE APPROVAL OF MICRO SWITCH.

CHARACTERISTICS		ELECTRICAL DATA	
OPERATING FORCE	6-12 LB	CONTACT ARRANGEMENT	S P D T (4)
FULL OVERTRAVEL FORCE	30 LB MAX	SEA LEVEL	28 VDC
RELEASE FORCE	4 LB MIN	50,000 FT.	
PRETRAVEL	.040 MAX		
DIFFERENTIAL TRAVEL	.020 MAX		
OVERTRAVEL	250 MIN		

SCALE	FULL
DO NOT SCALE PRINT	
TOLERANCES	
APPLY TO DESIGN UNITS UNLESS NOTED OTHERWISE	
REFERENCE UNITS UNLESS NOTED OTHERWISE	
NO PLACES	±.001
TWO PLACES	±.0005
THREE PLACES	±.0002
FOUR PLACES	±.0001
DESIGN UNITS	INCHES
RAW MATERIAL-COMMERCIAL STANDARD	
MICRO SWITCH STANDARDS APPLY	
DIMENSIONS ARE TO BE MET BEFORE PROTECTIVE COATING IS APPLIED	
WEIGHT	14.5 OZ MAX

- NOTES
- 1 - CORROSION RESISTANT STEEL ENCLOSURE
 - 2 - SWITCH SEALED PER MIL-PRF-8805 SYMBOL 4
 - 3 - CIRCUIT IDENTIFICATION, CATALOG LISTING 404EN233-6 AND CUSTOMER PART NO. 5M1021-70 ARE SHOWN ON NAMEPLATE
 - 4 - COINCIDENCE OF OPERATING AND RELEASING POINTS: .010 OF PLUNGER TRAVEL
 - 5 - REPLACEMENT MOUNTING HARDWARE PACKET 19PA8
 - 6 - ELECTRICAL RATINGS APPLY AS SPECIFIED IN MIL-PRF-8805/43 UP TO 185°F
- Δ - HARDWARE MAY BE PACKAGED UNASSEMBLED PER MIL-PRF-8805