

FED. MFG. CODE 91929

CATALOG LISTING
39HM2

REPLACES
RELEASE NO. PR-17247

M

ISSUE
3

CHECK

CHECK

CHECK

CHECK

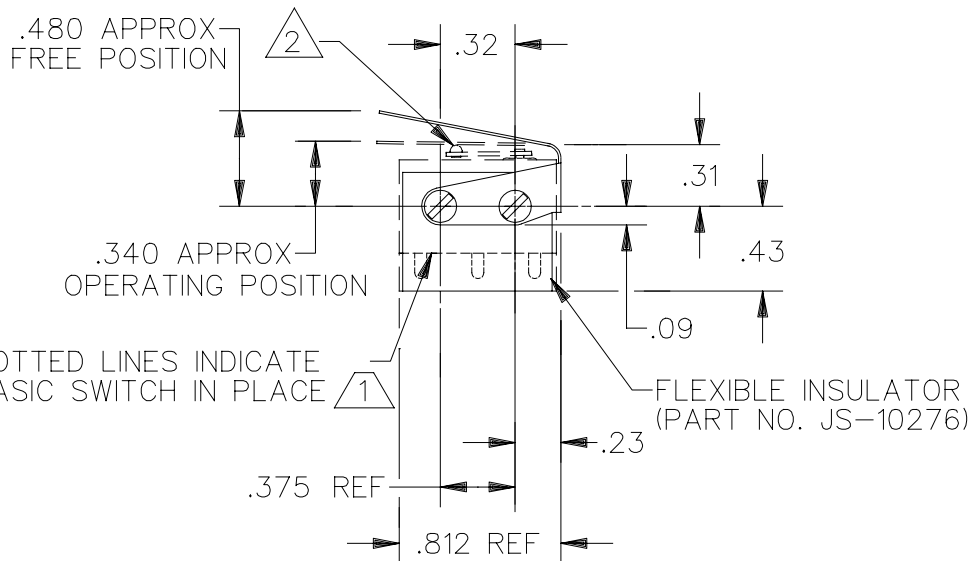
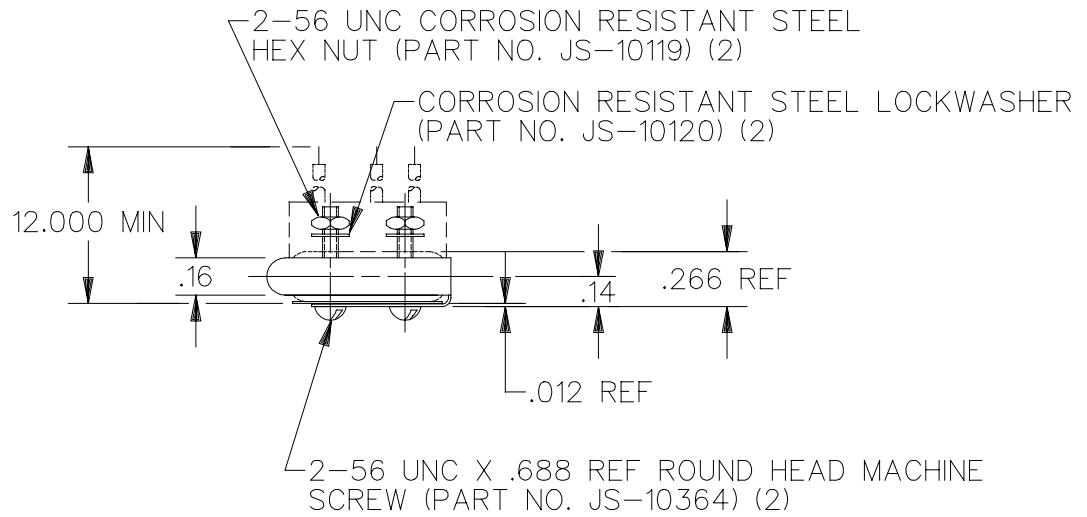
GR T 18 APR 89

CHECK

GR T 12 APR 89

REVISIONS

A	PR17247
	TSK 12 APR 89
B	C074078
	LJF 2 DEC 92



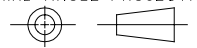
NOTES

- 1 CHARACTERISTICS WITH 6HM47-1 BASIC SWITCH INSTALLED
- 2 ADJUSTMENT CAUTION: DO NOT ALLOW ACTUATOR LEAF TO COME IN CONTACT WITH HM LEVER TO PREVENT SWITCH SEAL DAMAGE
- 3 UNIT INCLUDES CATALOG LISTING 6HM47-1 BASIC SWITCH AND JS-152, TYPE ACTUATOR FURNISHED UNASSEMBLED

ANSI Y14.5M-1982 APPLIES

THIS DRAWING COVERS A PROPRIETARY ITEM AND IS THE PROPERTY OF MICRO SWITCH, A DIVISION OF HONEYWELL. THIS DRAWING IS NOT TO BE COPIED OR USED WITHOUT THE APPROVAL OF MICRO SWITCH.

THIRD ANGLE PROJECTION



CHARACTERISTICS <u>2</u>	ELECTRICAL DATA	SCALE FULL	DO NOT SCALE PRINT
OPERATING FORCE — — — — — 9 OZ MAX	CONTACT ARRANGEMENT	UNLESS OTHERWISE SPECIFIED TOLERANCES ARE	
RELEASE FORCE — — — — — 2 OZ MIN		ONE PLACE (.0)	±.030
DIFFERENTIAL TRAVEL — — — .030 MAX		TWO PLACE (.00)	±.015
OVERTRAVEL — — — — — .030 MIN		THREE PLACE (.000)	±.005
		ANGLES	±
		WEIGHT	

DDM/CAD

DRAWN

CHECK