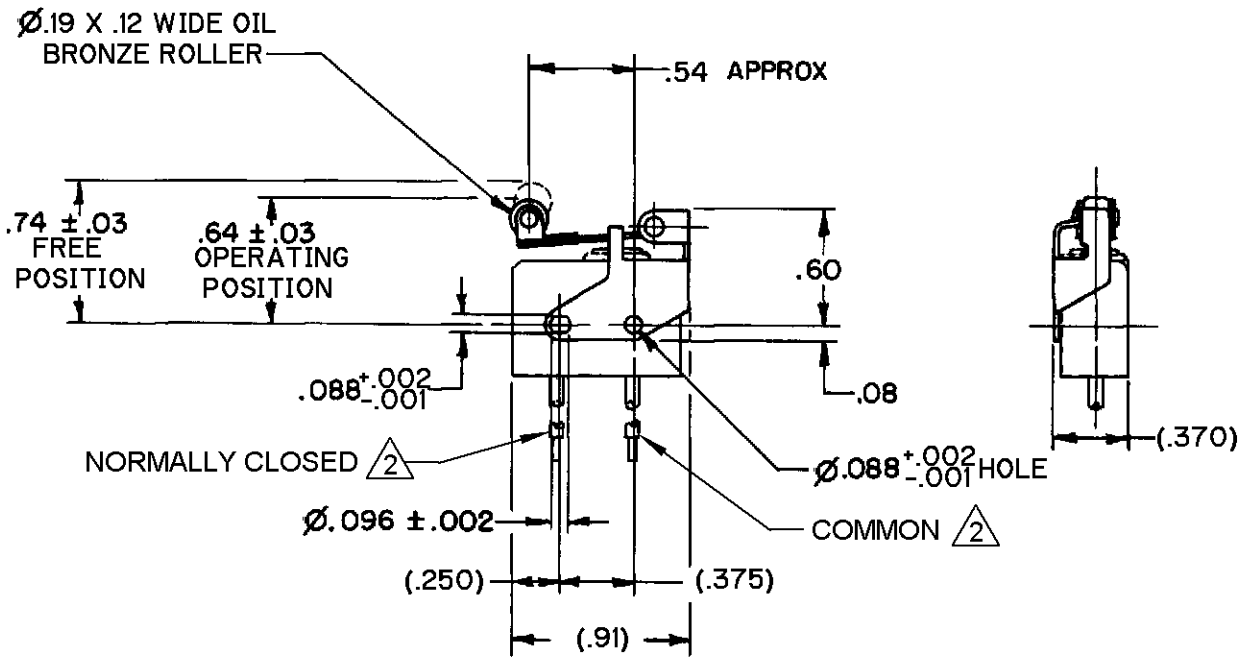
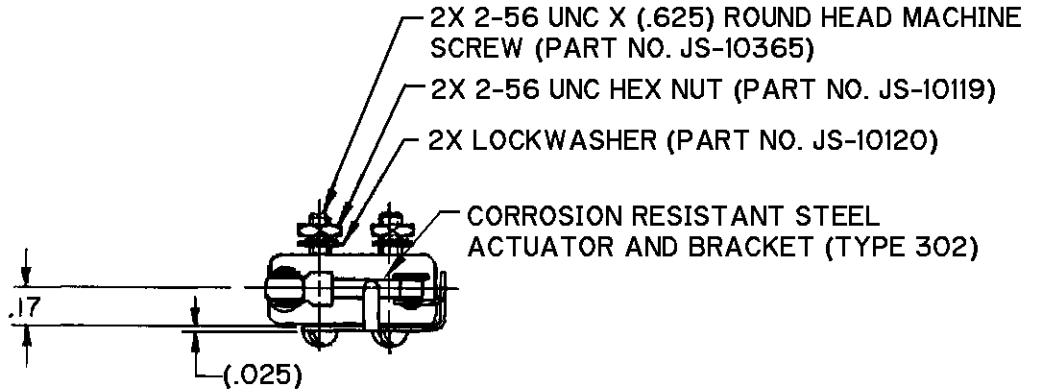


CATALOG LISTING
39SE21
PAGE 1 OF 1
RELEASE NO. PR-24259
REPLACES
ISSUE **M**
3
REVISIONS
A 201515
CSL
26 OCT 00
B 0006685
KSR
19 JUL 04
CHECK
19 JUL 04
AK
CHECK
13 SEP 99
SA V
CHECK
13 SEP 99
DRAWN
RASTER



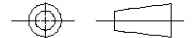
NOTE

- 1 - UNIT INCLUDES CATALOG LISTING "1SE226" BASIC AND JE-21 ACTUATOR FURNISHED UNASSEMBLED
- △ 2X NO. 20 LEAD WIRE PER MIL-W-22759/7, MARKED WITH CIRCUIT IDENTIFICATION AND WIRE GAGE (1-20, 2-20, ETC.) PER MIL-W-5088

ANSI Y14.5M-1982 APPLIES

THIS DRAWING COVERS A PROPRIETARY ITEM AND IS THE PROPERTY OF MICRO SWITCH, A DIVISION OF HONEYWELL. THIS DRAWING IS NOT TO BE COPIED OR USED WITHOUT THE APPROVAL OF MICRO SWITCH.

THIRD ANGLE PROJECTION



CHARACTERISTICS	ELECTRICAL DATA CONTACT ARRANGEMENT S P N C	SCALE	DO NOT SCALE PRINT	
		FULL		
OPERATING FORCE ----- 12 OZ MAX		UNLESS OTHERWISE SPECIFIED TOLERANCES ARE		
RELEASE FORCE ----- 2 OZ MIN		ONE PLACE (.0)	±.030	
DIFFERENTIAL TRAVEL ----- .025 MAX		TWO PLACE (.00)	±.015	
OVERTRAVEL ----- .015 MAX		THREE PLACE (.000)	±.005	
		ANGLES	±	
		WEIGHT		