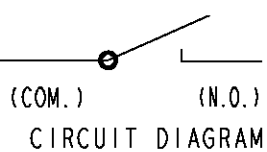


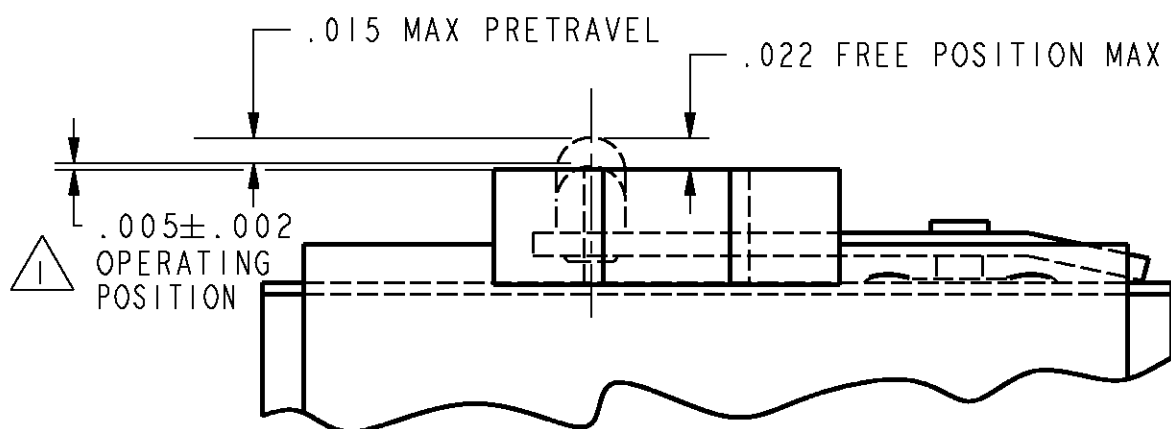
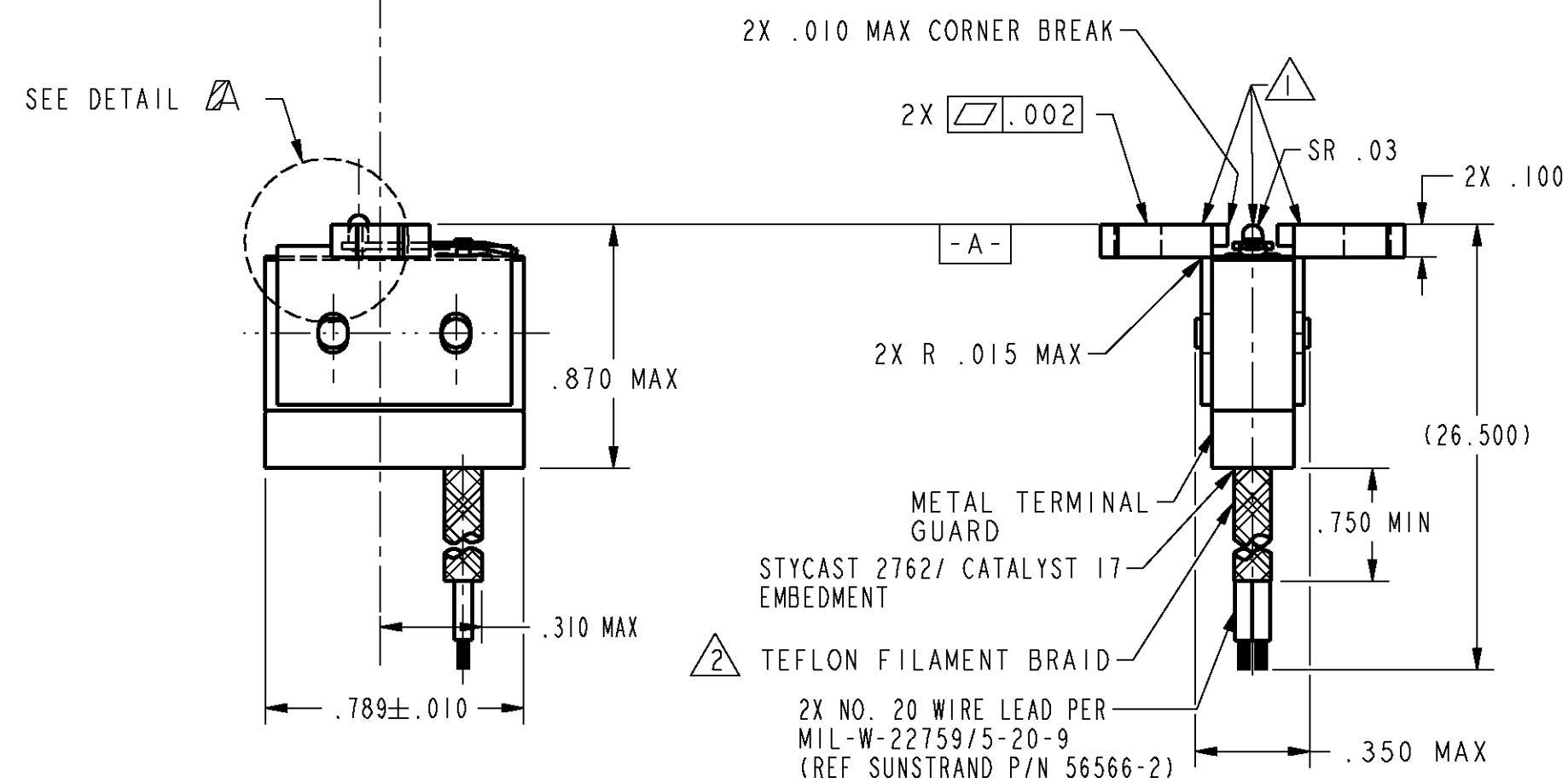
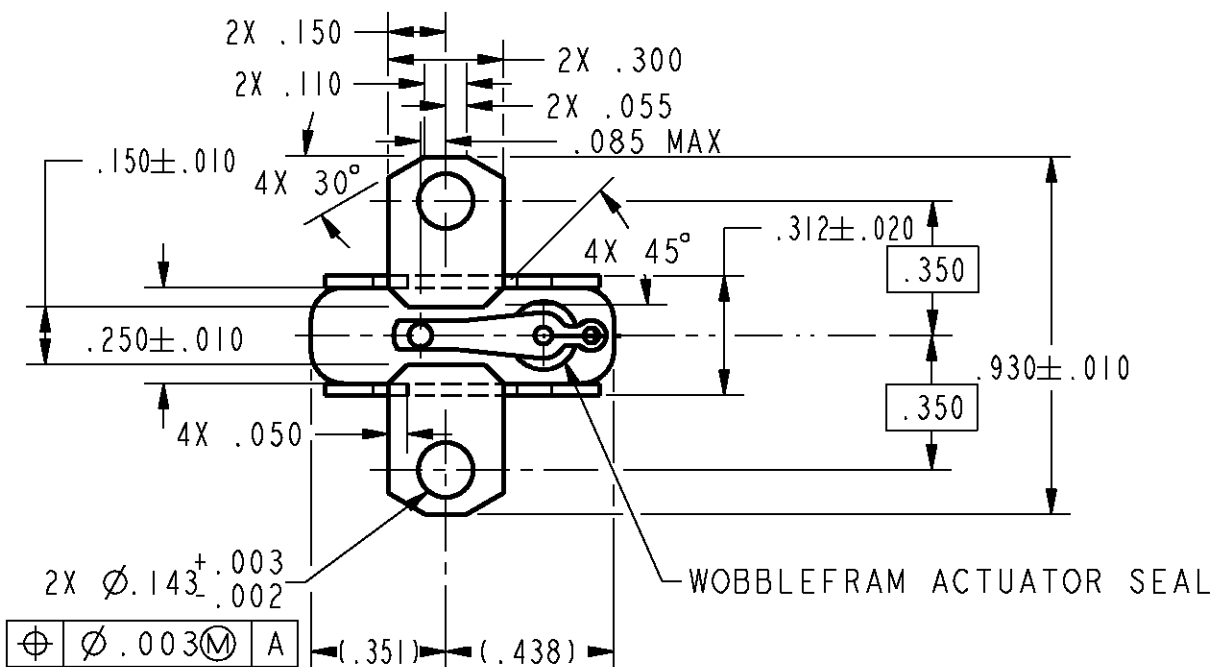
M

38HM74



## SPECIFICATION DETAILS:

STANDARD:	CONFORMS TO MS27216-5 (MIL-PRF-8805/8), EXCEPT AS NOTED			
CONSTRUCTION:				
ENCLOSURE DESIGN	HERMETIC SEAL PER MIL-PRF-8805 SYMBOL 5			
CONTACT MATERIAL & CONFIGURATION	SMOOTH SILVER CONTACTS (GOLD PLATED)			
CIRCUIT CONFIGURATION	SPNO			
TERMINATION	LEADWIRE PER MIL-W-22759/5-20-9			
WEIGHT				
O-RING MATERIAL				
EXPOSED METALS	CORROSION RESISTANT STAINLESS STEEL			
ELECTRICAL CHARACTERISTICS:				
ELECTRICAL RATINGS	VOLTAGE	RESISTIVE	LOAD INDUCTIVE	LAMP
-SEA LEVEL TO 70,000 FT	28 VDC 115VAC(400Hz)	3A 1A	1A 1A	0.2A 0.2A
DIELECTRIC STRENGTH & INSULATION RESISTANCE	DIELECTRIC STRENGTH ≈ 60 Hz. FOR 5 SECONDS)		INSULATION RESISTANCE (500 VDC ±10%)	
-BETWEEN TERMINALS AND EXPOSED NON-CURRENT CARRYING METAL	1000 V Rms, 500 A (MAX LEAKAGE)		1000 Megohms MIN	
-BETWEEN TERMINALS OF MUTUALLY INSULATED CIRCUITS	1000 V Rms, 500 A (MAX LEAKAGE)		1000 Megohms MIN	
-BETWEEN ALL UNCONNECTED TERMINALS OF THE SAME POLE	1000 V Rms, 500 A (MAX LEAKAGE)		1000 Megohms MIN	
SWITCH RESISTANCE	N/A			
RECOMMENDATION OR USE IN APPLICATIONS LESS THAN .5 amps AND/OR 12 volts	ACCEPTABLE			
MECHANICAL CHARACTERISTICS:				
CHARACTERISTICS:				
OPERATING FORCE	7 OZ MAX			
RELEASE FORCE	1 OZ MIN			
PRETRAVEL	.015 MAX			
DIFFERENTIAL TRAVEL	.006 MAX			
OVERTRAVEL	.003 MIN			
MOUNTING STRENGTH	N/A			
ACTUATOR STRENGTH	3 LBS APPLIED IN A DIRECTION TO CAUSE SWITCH ACTUATION			
LIFE:				
MECHANICAL LIFE	25,000 MIN. PER MIL-PRF-8805/8 4			
ELECTRICAL LIFE AT FULL RATED LOAD	25,000 MIN. PER MIL-PRF-8805/8 4			
ENVIRONMENTAL:				
TEMPERATURE RANGE	-85° F TO + 400° F (65° C TO +204° C)			
ALTITUDE RANGE	SEA LEVEL TO 70,000 FEET			
SHOCK	BASIC SWITCH PER MIL-PRF-8805/8 SYMBOL M (100g)			
VIBRATION	BASIC SWITCH PER MIL-8805-PRF-8805/8 SYMBOL 2 (10-2000 Hz, 15g PEAK)			
MOISTURE RESISTANCE	PER MIL-PRF-8805/8 (10 DAY TEST)			
THERMAL SHOCK	PER MIL-PRF-8805/8 (5 CYCLE TEST, -65° C TO 125° C)			
SALT SPRAY	PER MIL-PRF-8805/8 (96 HOUR TEST)			

DETAIL A  
SCALE 6 : 1

## NOTES

- 1 SWITCH LEVER ARM IS COINCIDENT WITH DATUM -A- AT FULL OVERTRAVEL POSITION
- 2 TEFLON FILAMENT PIGTAIL EMBEDDED IN POTTING (REF SUNSTRAND P/N 56566-2)
- 3 CONTACT HONEYWELL-MICRO SWITCH IF ADDITIONAL INFORMATION ON LOW ENERGY LOADS IS REQUIRED OR FOR HELP WITH SPECIFIC APPLICATIONS LIFE RATINGS ARE PER MIL-PRF-8805 REQUIREMENTS. ACTUAL LIFE EXCEEDS RATED LIFE. CONTACT HONEYWELL-MICRO SWITCH FOR ADDITIONAL DATA

4 LIFE RATINGS ARE PER MIL-PRF-8805 REQUIREMENTS PER MICRO SWITCH TEST PLAN (95% SURVIVAL)

MECHANICAL LIFE	100,000
ELECTRICAL LIFE AT FULL RATED LOAD	25,000

THIS DRAWING COVERS A PROPRIETARY ITEM AND IS THE PROPERTY OF MICRO SWITCH. A DIVISION OF HONEYWELL. THIS DRAWING IS NOT TO BE COPIED OR USED WITHOUT THE APPROVAL OF MICRO SWITCH.

MICRO SWITCH  
a Honeywell Division

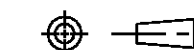
SWITCH-ASSEMBLY

CATALOG LISTING

38HM74

FED. MFG. CODE 91929

THIRD ANGLE PROJECTION



SCALE 2 : 1

DO NOT SCALE PRINT

UNLESS OTHERWISE SPECIFIED TOLERANCES ARE

ONE PLACE	(.0)	±.030
TWO PLACES	(.00)	±.015
THREE PLACES	(.000)	±.005
ANGLES		± 2°

WEIGHT

ANSI Y14.5M-1982 APPLIES

38HM74

M

3

3

REVISIONS

A

PR24042

TSM

21MAY99

CHECK

CHECK

CHECK

CHECK

CHECK

CHECK

CHECK

CHECK

P.T.C./CAD [2D]

DRAWN

TSM

21MAY99

JAF

21MAY99

21MAY99

21MAY99

21MAY99

21MAY99

21MAY99

21MAY99

21MAY99

21MAY99

21MAY99

21MAY99

21MAY99

21MAY99

21MAY99

21MAY99

21MAY99

21MAY99

21MAY99

21MAY99

21MAY99

21MAY99

21MAY99

21MAY99

21MAY99

21MAY99

21MAY99

21MAY99

21MAY99

21MAY99

21MAY99

21MAY99

21MAY99

21MAY99

21MAY99

21MAY99

21MAY99

21MAY99

21MAY99

21MAY99

21MAY99

21MAY99

21MAY99

21MAY99

21MAY99

21MAY99

21MAY99

21MAY99

21MAY99