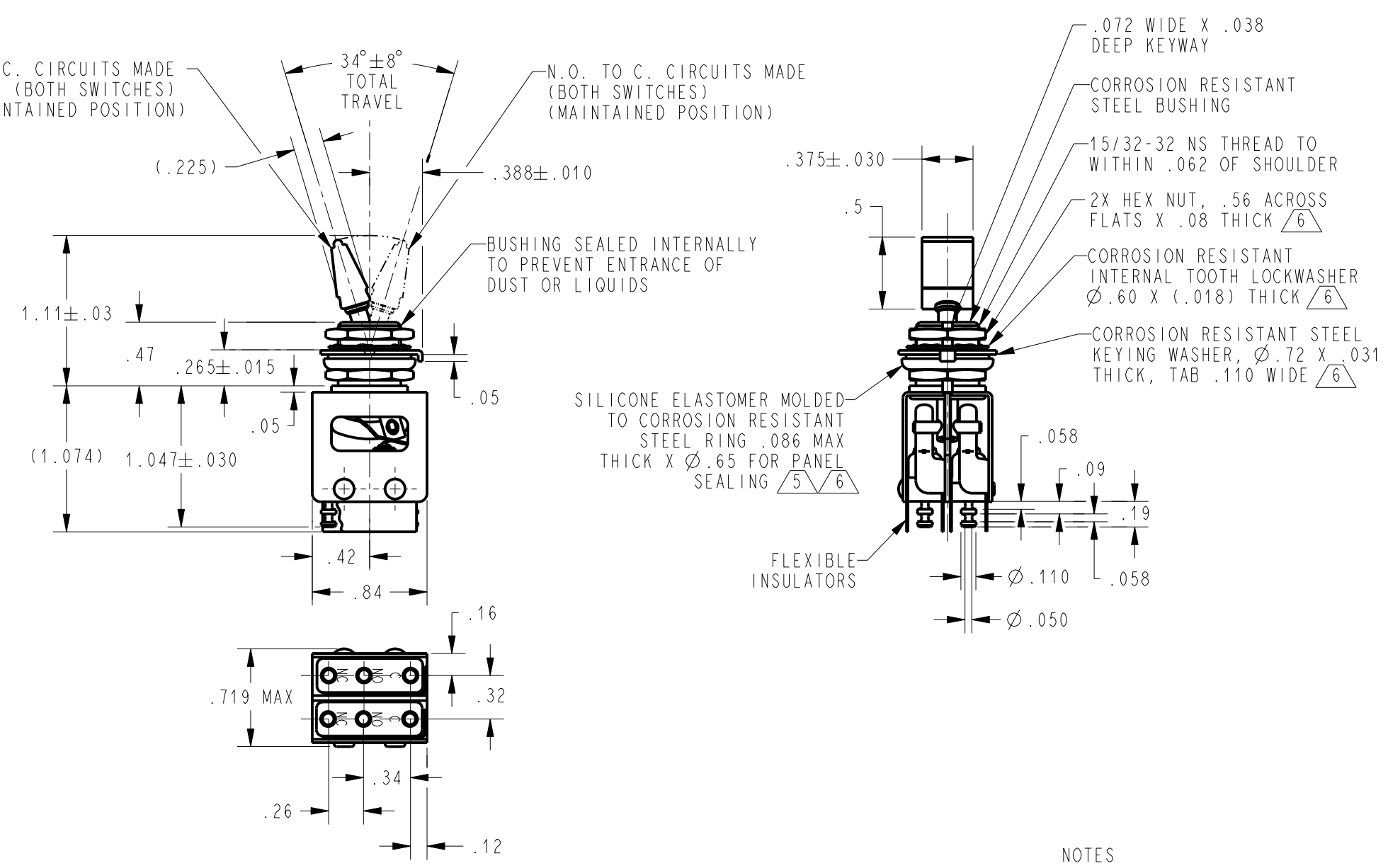
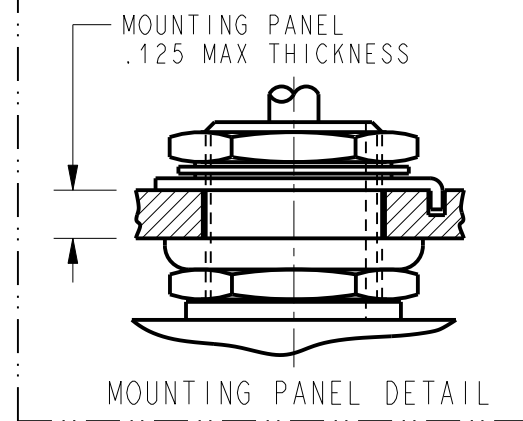


MICROSWITCH
a Honeywell Division

FED. MFG. CODE 91929

**ASSEMBLY-
TOGGLE SWITCH**

CATALOG LISTING
32AT444-T2



CATALOG LISTING
32AT444-T2

PAGE 1 OF 1
RELEASE NO. PR-1478
ISSUE 6

REVISIONS
A 0000962
TRF 18AUG03

CHECK 18AUG03
CHECK 18AUG03

SAV
CHECK

PTC/CAD 2D
DRAWN TRF 18AUG03

THIS DRAWING COVERS A PROPRIETARY ITEM AND IS THE PROPERTY OF MICRO SWITCH, A DIVISION OF HONEYWELL. THIS DRAWING IS NOT TO BE COPIED OR USED WITHOUT THE APPROVAL OF MICRO SWITCH

CHARACTERISTICS	ELECTRICAL DATA
	CONTACT ARRANGEMENT 2X S P D T
	250 VAC -----5 AMP 30 VOLTS DC RATING INDUCTIVE---SEA LEVEL----3 AMP 50,000 FT--2.5 AMP RESISTIVE---SEA LEVEL----5 AMP 50,000 FT----5 AMP MAXIMUM INRUSH-----24 AMP

THIRD ANGLE PROJECTION
SCALE FULL
DO NOT SCALE PRINT
UNLESS OTHERWISE SPECIFIED TOLERANCES ARE
ONE PLACE (.0) ±.030
TWO PLACE (.00) ±.015
THREE PLACE (.000) ±.005
ANGLES ±
WEIGHT .06 LB APPROX

ANSI Y14.5M-1982 APPLIES

- NOTES
- 1 - UNIT INCLUDES CATALOG LISTING 2X 21SM284-T2 BASIC SWITCH
 - 2 - TERMINALS ARE PLATED FOR SOLDERING
 - 3 - SWITCHES DO NOT NECESSARILY OPERATE SIMULTANEOUSLY
 - 4 - KNOB PORTION OF TOGGLE LEVER BRIGHT ANODIZED
 - 5 FOR PANEL SEAL TO BE EFFECTIVE, MOUNTING HOLE IN PANEL SHOULD NOT EXCEED Ø.500
 - 6 HARDWARE FURNISHED ASSEMBLED WITH SWITCH OR IN PACKET PER MIL-PRF-8805