

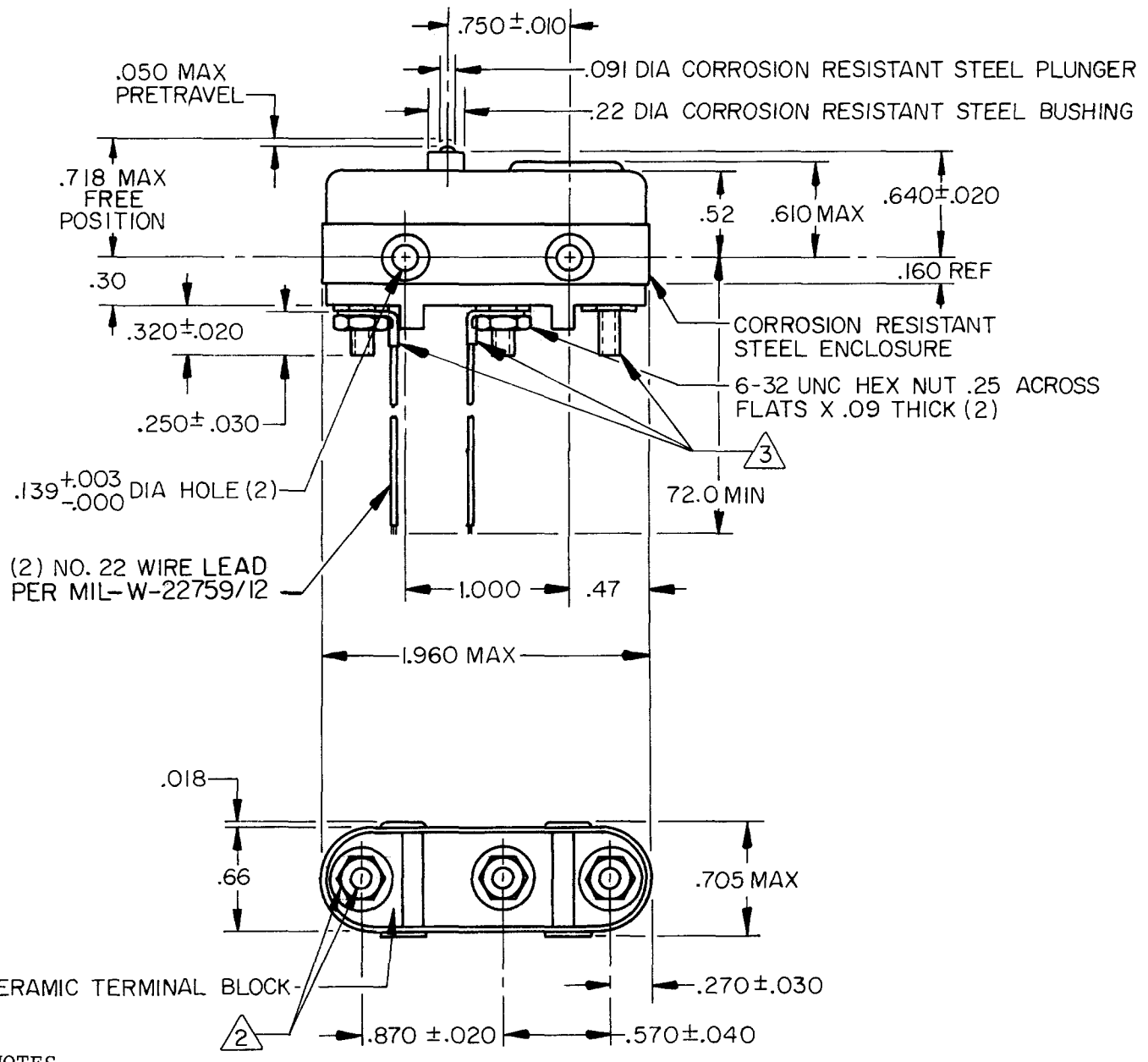
MICRO SWITCH
 FREEPORT ILLINOIS, U.S.A
 A DIVISION OF HONEYWELL INC.
 FED. MFG. CODE 91929

SWITCH-BASIC

CATALOG LISTING
2HT15-6

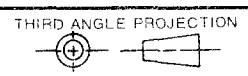
CATALOG LISTING
2HT15-6
 PAGE 1 OF 1
 M
 DRAWING NUMBER
 3
 ISSUE

REPLACES
 PR-16710
 CHECK



- NOTES
- 1 - SWITCH WILL WITHSTAND TEMPERATURE OF 500°F MAX (RESTRICTED BY LEADWIRE)
 - 2 - RECOMMENDED APPLIED TORQUE FOR A 6-32 UNC STAINLESS STEEL TERMINAL IS 10 IN/ LBS MAX. EXCEEDING THIS TORQUE COULD DAMAGE THE SWITCH
 - 3 - ALL TERMINALS AND POST COATED WITH SILICONE INSULATING MATERIAL

THIS DRAWING COVERS A PROPRIETARY ITEM AND IS THE PROPERTY OF MICRO SWITCH, A DIVISION OF HONEYWELL. THIS DRAWING IS NOT TO BE COPIED OR USED WITHOUT THE APPROVAL OF MICRO SWITCH.



CHARACTERISTICS	ELECTRICAL DATA	SCALE FULL	DO NOT SCALE PRINT
OPERATING FORCE - - - - - 10-20 OZ	CONTACT ARRANGEMENT S P N O	UNLESS OTHERWISE SPECIFIED TOLERANCES ARE	
RELEASE FORCE - - - - - 6 OZ MIN	L305 3A 1/10HP 125 VAC 2A 1/6HP 250 VAC	ONE PLACE (.0) ± .030	TWO PLACE (.00) ± .015
DIFFERENTIAL TRAVEL - - - - .010 MAX		THREE PLACE (.000) ± .005	ANGLES ±
OVERTRAVEL - - - - - .010 MIN		RAW MATERIAL - COMMERCIAL STANDARD	
		DIMENSIONS ARE IN INCHES AND ARE TO BE MET BEFORE PROTECTIVE COATINGS ARE APPLIED	
		MICRO SWITCH STANDARDS APPLY	
		WEIGHT 1.8 OZ MAX	

REVISIONS

A	C080788	SAD	26 APR 95
B	C0-92890	CSL	7 MAY 98

FORMTEK
 DRAWN
 T S K 8 SEPT 88
 CHECK D J S 13 SEP 88
 CHECK

