

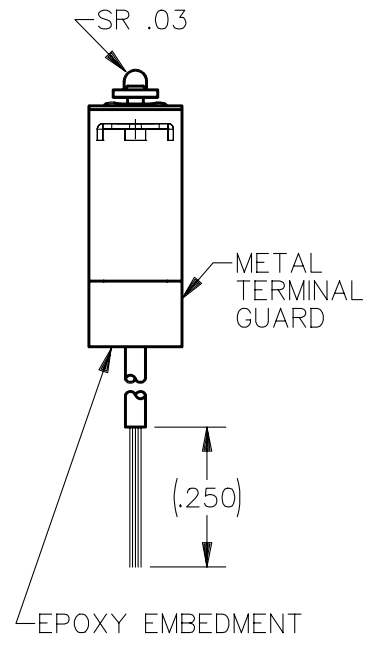
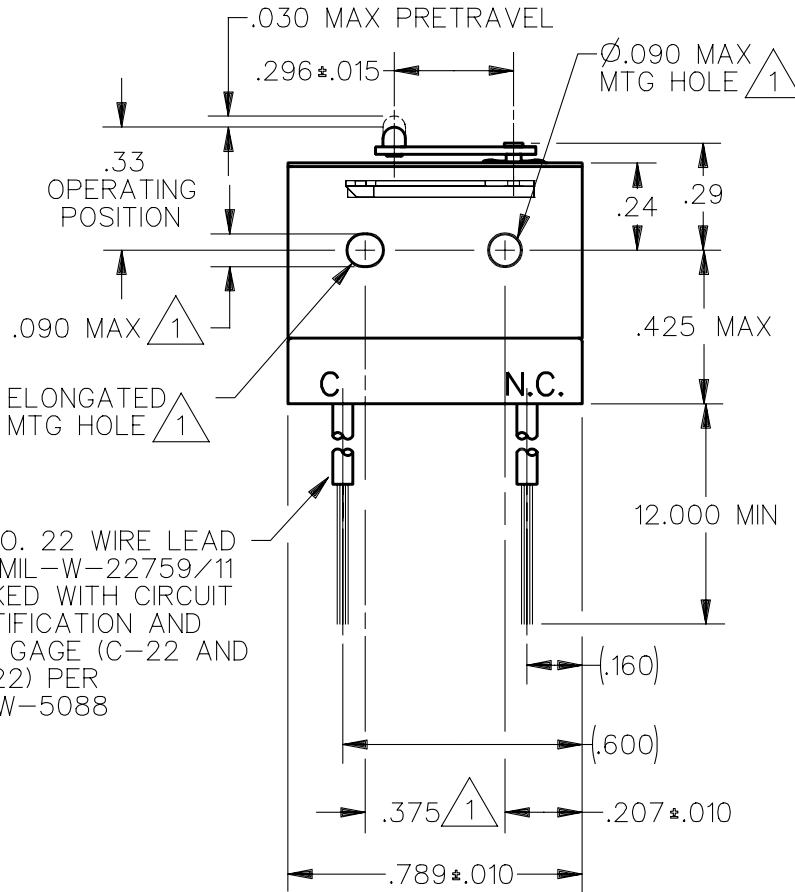
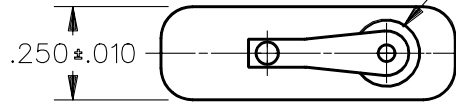
CATALOG LISTING
2HM21-1
PAGE 1 OF 1
REPLACES
RELEASE NO. PR-20248
ISSUE
3

REVISIONS

A	C082984	DLT	17 MAY 96
B	C094220	DLT	24 MAR 99

DDM/CAD
DRAWN
S A V 4 AUG 92
CHECK
T S M 6 AUG 92
CHECK

WOBBLEFRAM ACTUATOR SEAL

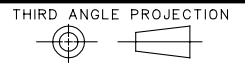


2X NO. 22 WIRE LEAD PER MIL-W-22759/11 MARKED WITH CIRCUIT IDENTIFICATION AND WIRE GAGE (C-22 AND NC-22) PER MIL-W-5088

- NOTES
- 1 MOUNTING HOLES WILL ACCEPT PINS OR SCREWS OF Ø.087 MAX ON .375±.002 CENTERS
 - 2 - FOR USE IN TEMPERATURE RANGE -85°F TO +257°F
 - 3 - HERMETICALLY SEALED (METAL-TO-METAL, GLASS-TO-METAL)
 - 4 - ALL EXPOSED PARTS ARE OF CORROSION RESISTANT MATERIALS
 - 5 WEIGHT OF SWITCH ONLY IS 0.22 OZ MAX. WEIGHT OF CONDUCTOR GROUP ONLY 0.20 OZ MAX PER FOOT
 - 6 - DO NOT APPLY MORE THAN 1 1/2 INCH-POUNDS OF TORQUE WHEN TIGHTENING MOUNTING SCREWS

ANSI Y14.5M-1982 APPLIES

THIS DRAWING COVERS A PROPRIETARY ITEM AND IS THE PROPERTY OF MICRO SWITCH, A DIVISION OF HONEYWELL. THIS DRAWING IS NOT TO BE COPIED OR USED WITHOUT THE APPROVAL OF MICRO SWITCH.



CHARACTERISTICS	ELECTRICAL DATA			SCALE 2 : 1	DO NOT SCALE PRINT
	CONTACT ARRANGEMENT S P N C				
OPERATING FORCE — — — — 7 OZ MAX	LOAD			UNLESS OTHERWISE SPECIFIED TOLERANCES ARE ONE PLACE (.0) ±.030 TWO PLACE (.00) ±.015 THREE PLACE (.000) ±.005 ANGLES ± WEIGHT / 5	
RELEASE FORCE — — — — 1 OZ MAX	SEA LEVEL				
DIFFERENTIAL TRAVEL — — — .006 MAX	28 VDC	115 VAC, 400 CPS	70,000 FT 28 VDC		
OVERTRAVEL — — — — .003 MIN	RESISTIVE 4 AMP	2 AMP	4 AMP		
	INDUCTIVE 2 AMP	2 AMP	2 AMP		
	LAMP 1 AMP	.5 AMP	1 AMP		