

CATALOG LISTING  
**29ET21-6-M**

PAGE 1 OF 1

ISSUE  
**M**  
3

REVISIONS  
A PR-REL PR-23450 GRT 12 JUN 98  
B C093048 GJW 29 OCT 98

CHECK

12 JUN 98

CHECK

JAF

CHECK

12 JUN 98

FORMTEK

DRAWN

REPLACES  
PR-23450

RELEASE NO

CHECK

CHECK

12 JUN 98

CHECK

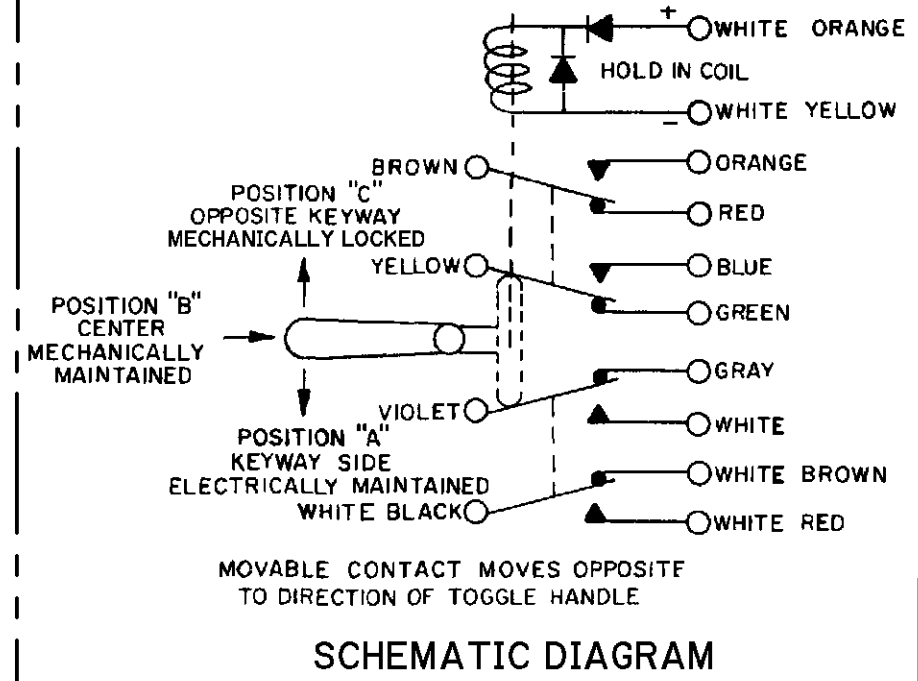
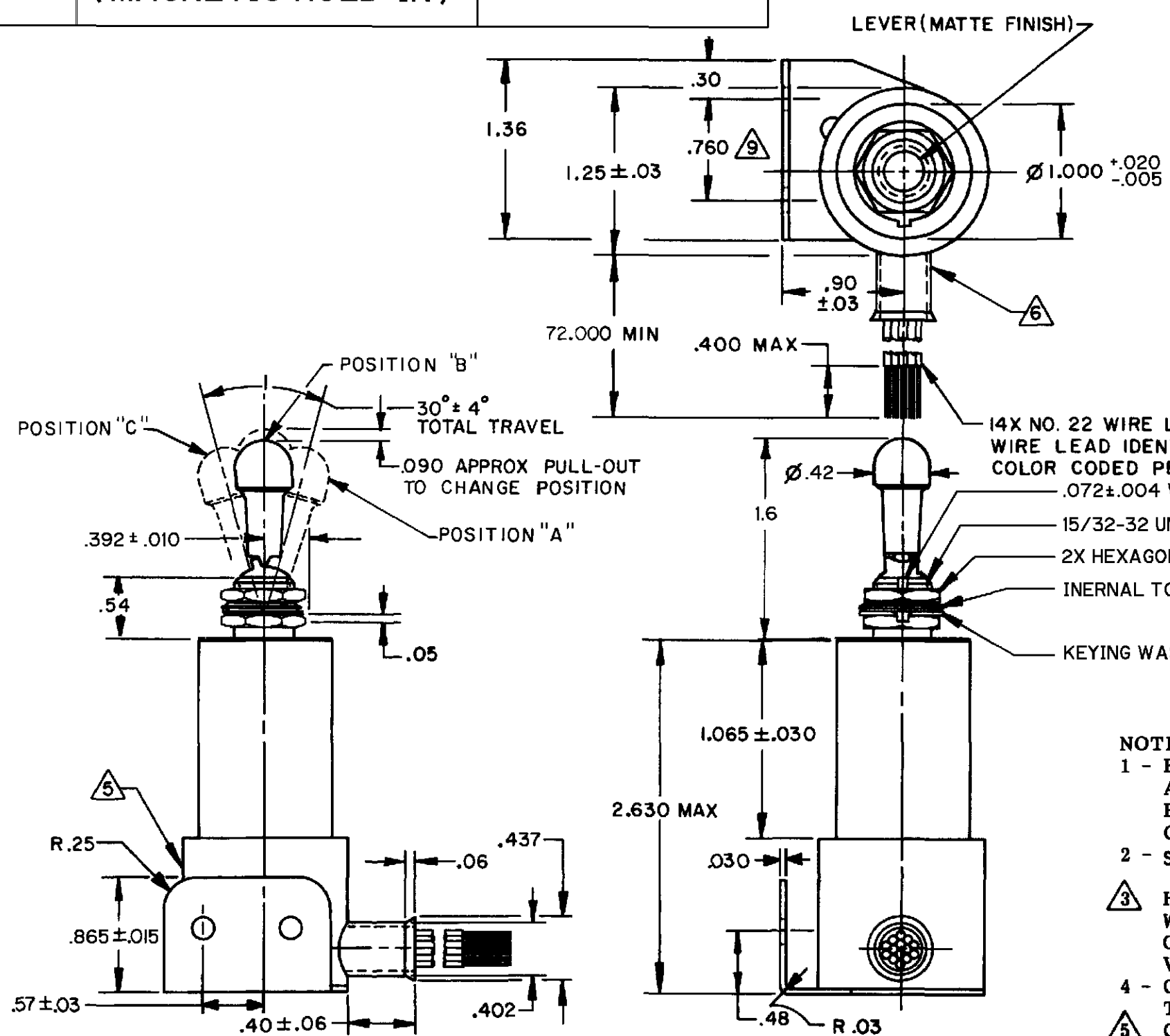
JAF

CHECK

12 JUN 98

FORMTEK

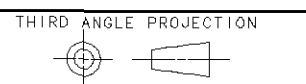
DRAWN



- 14X NO. 22 WIRE LEAD PER MIL-W-22759/11-22
- WIRE LEAD IDENTIFICATION COLOR CODED PER MIL-STD-681
- .072±.004 WIDE X .031 KEYWAY TO WITHIN .250 OF SHOULDER
- 15/32-32 UNS 2A THREAD TO WITHIN .090 OF SHOULDER
- 2X HEXAGON NUT, .559 ACROSS FLATS X .093 THICK (MS25082-C21)
- INTERNAL TOOTH LOCKWASHER, Ø.60 X (.018) THICK (MS35333-136)
- KEYING WASHER, Ø.72 X .040 THICK, TAB .110 WIDE (MS25081-C4)

- NOTES**
- 1 - EXPOSED PARTS ARE OF CORROSION RESISTANT MATERIAL OR ARE SUITABLY PROTECTED TO PREVENT CORROSION ENCLOSURE FINISHED WITH BLUE EPOXY BASED ENAMEL COLOR NO. 25184 PER FEDERAL STANDARD 595
  - 2 - SWITCH SEALED PER MIL-S-5594
  - 3 - HOLD-IN VOLTAGE: THE MINIMUM SPECIFIED VOLTAGE AT WHICH THE LEVER WILL REMAIN ACTUATED. HOLD IN MAY OCCUR AT A LOWER VALUE. DROP OUT VOLTAGE: THE VOLTAGE RANGE IN WHICH THE LEVER WILL BE RELEASED
  - 4 - CIRCUITS CAN BE TRANSFERRED MANUALLY. ENERGIZING THE COIL WILL NOT CAUSE TRANSFER OF CIRCUITS
  - 5 - CIRCUIT IDENTIFICATION IS SHOWN ON SWITCH
  - 6 - SOLDER PLATED .300 MIN FROM END OF GUARD
  - 7 - THE DIODES ARE JAN TXV TYPE AND LIMIT THE EMI SPIKES (TRANSIENTS OF DURATION LESS THAN 500 MICRO SECONDS) GENERATED BY THE SWITCH COIL SHALL NOT EXCEED +42 VOLTS OR -14 VOLTS ABSOLUTE
  - 8 - WEIGHT OF SWITCH ONLY IS 8 OZ MAX. WEIGHT OF SWITCH WITH WIRE LEADS IS 13 OZ MAX
  - 9 - BRACKET MOUNTING HOLES 2X Ø.172

THIS DRAWING COVERS A PROPRIETARY ITEM AND IS THE PROPERTY OF MICRO SWITCH, A DIVISION OF HONEYWELL. THIS DRAWING IS NOT TO BE COPIED OR USED WITHOUT THE APPROVAL OF MICRO SWITCH



| CHARACTERISTICS          |                  |
|--------------------------|------------------|
| SOLENOID RATING AT 20°C  |                  |
| STEADY STATE LIMITS      | 15-30 VDC        |
| HOLD IN                  | 15 VDC           |
| MINIMUM DROP OUT         | 1.5 VDC          |
| COIL RESISTANCE          | 220 OHM MIN      |
| OPERATING FORCE          | 2-7 LB           |
| OVERRIDE FORCE AT 30 VDC | 2 1/2 TO 10 LBS. |

| ELECTRICAL DATA                |               |               |
|--------------------------------|---------------|---------------|
| CONTACT ARRANGEMENT<br>4X SPDT |               |               |
| RATING IN AMPERES              |               |               |
| VOLTAGE                        | SEA LEVEL     | 65,000 FT.    |
|                                | RES IND MOTOR | RES IND MOTOR |
| 28 VOLTS DC                    | 5 2           | 5 1.5         |

| SCALE FULL                                |              |
|---|--------------|
| DO NOT SCALE PRINT                        |              |
| UNLESS OTHERWISE SPECIFIED TOLERANCES ARE |              |
| ONE PLACE                                 | (.0) ±.030   |
| TWO PLACE                                 | (.00) ±.015  |
| THREE PLACE                               | (.000) ±.005 |
| ANGLES                                    | ±            |
| WEIGHT                                    | 8            |

ANSI Y14.5M-1982 APPLIES