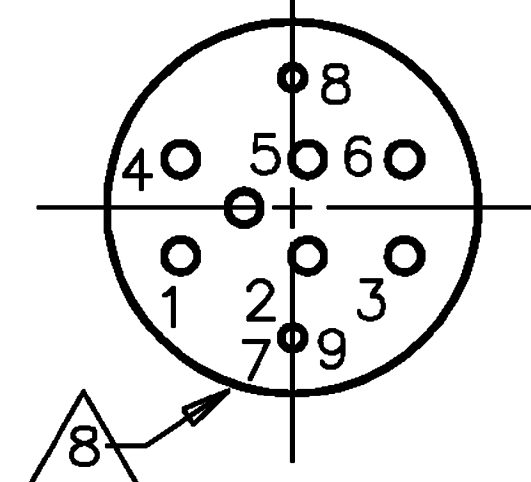
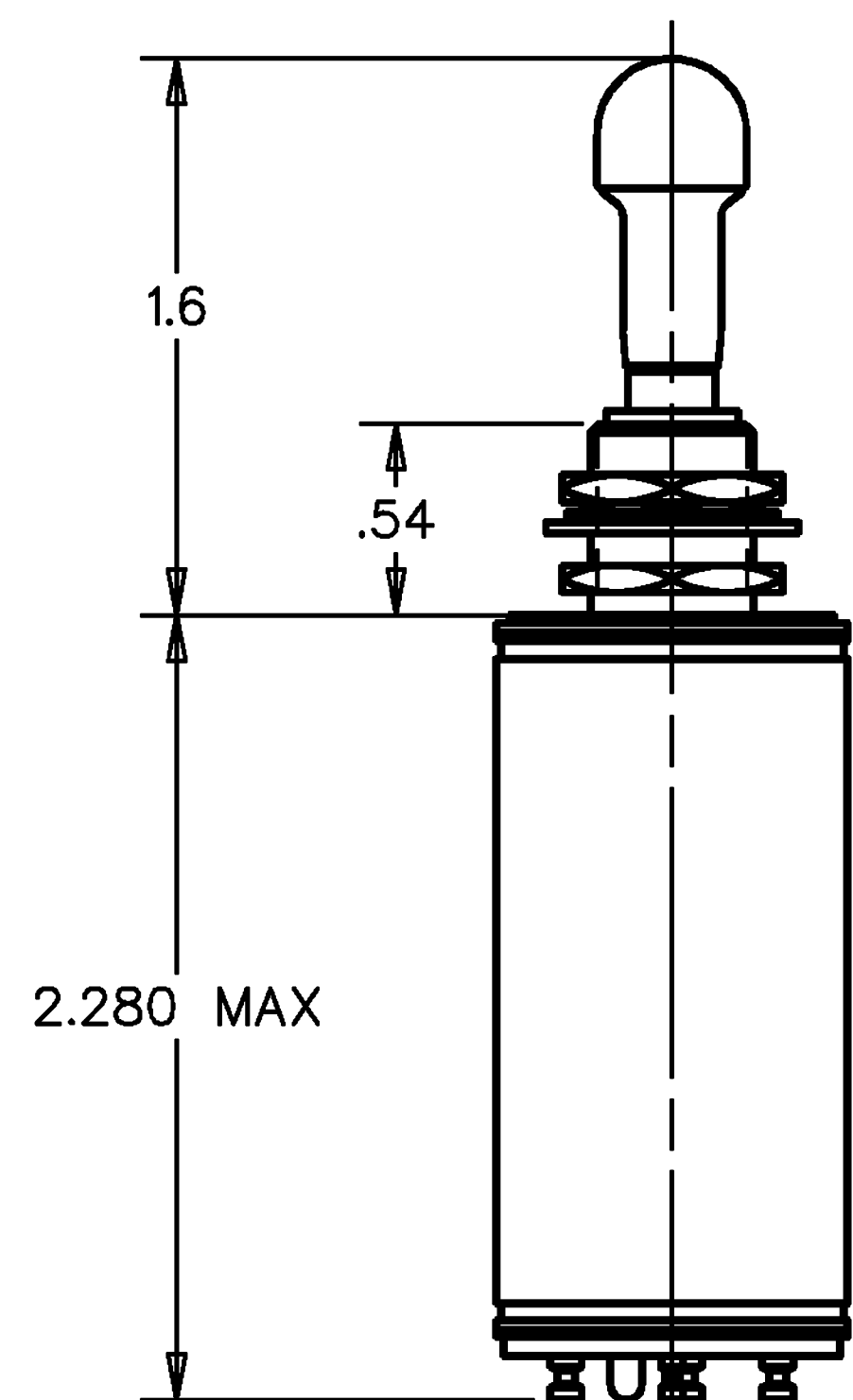
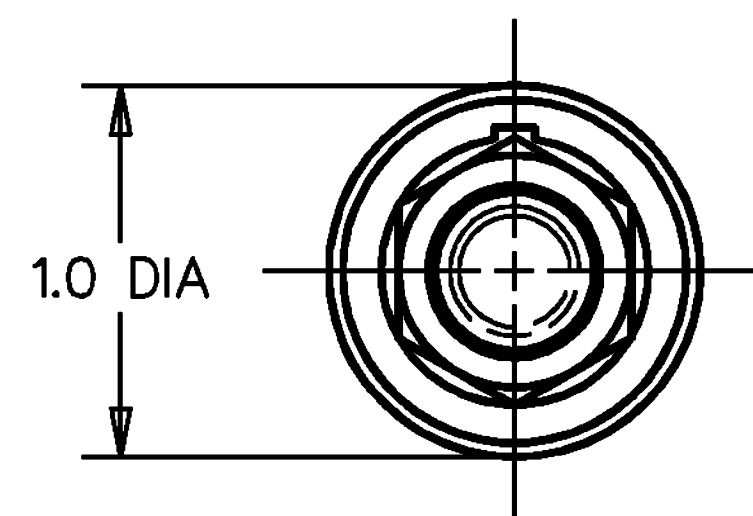
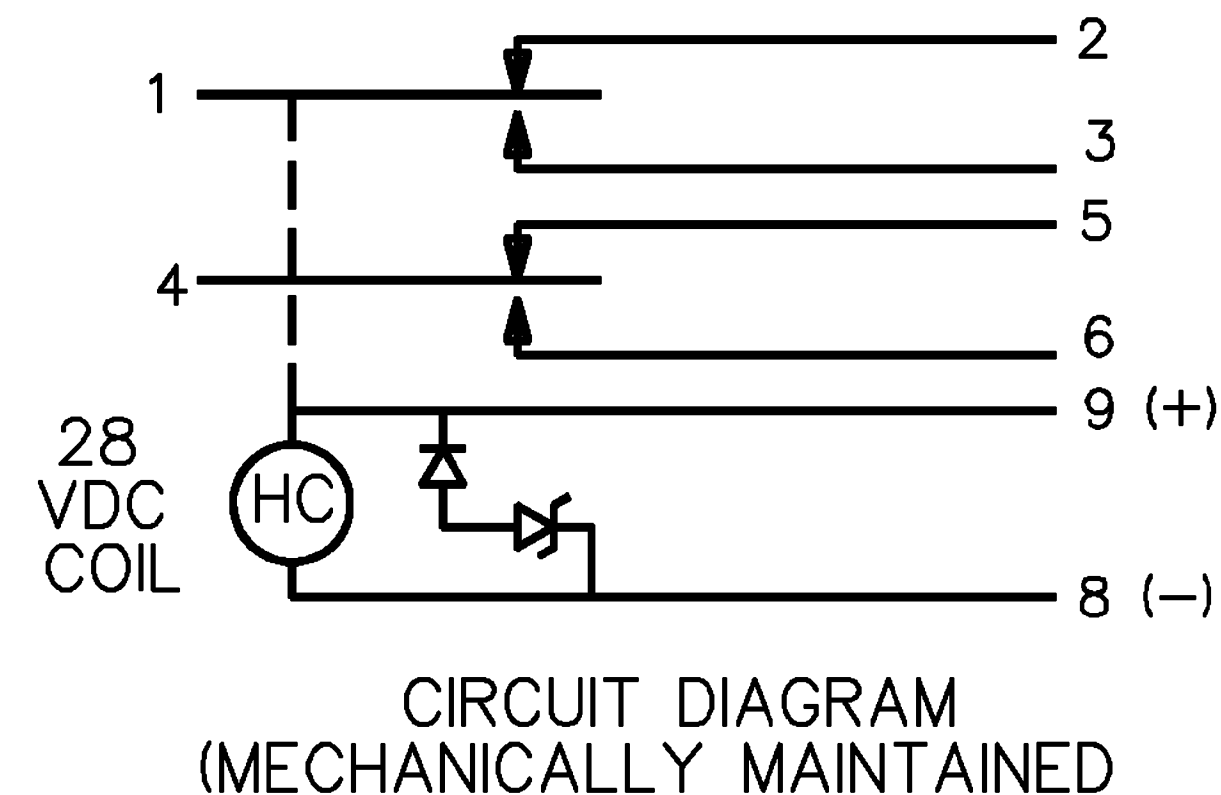


MICRO SWITCH
a Honeywell Division

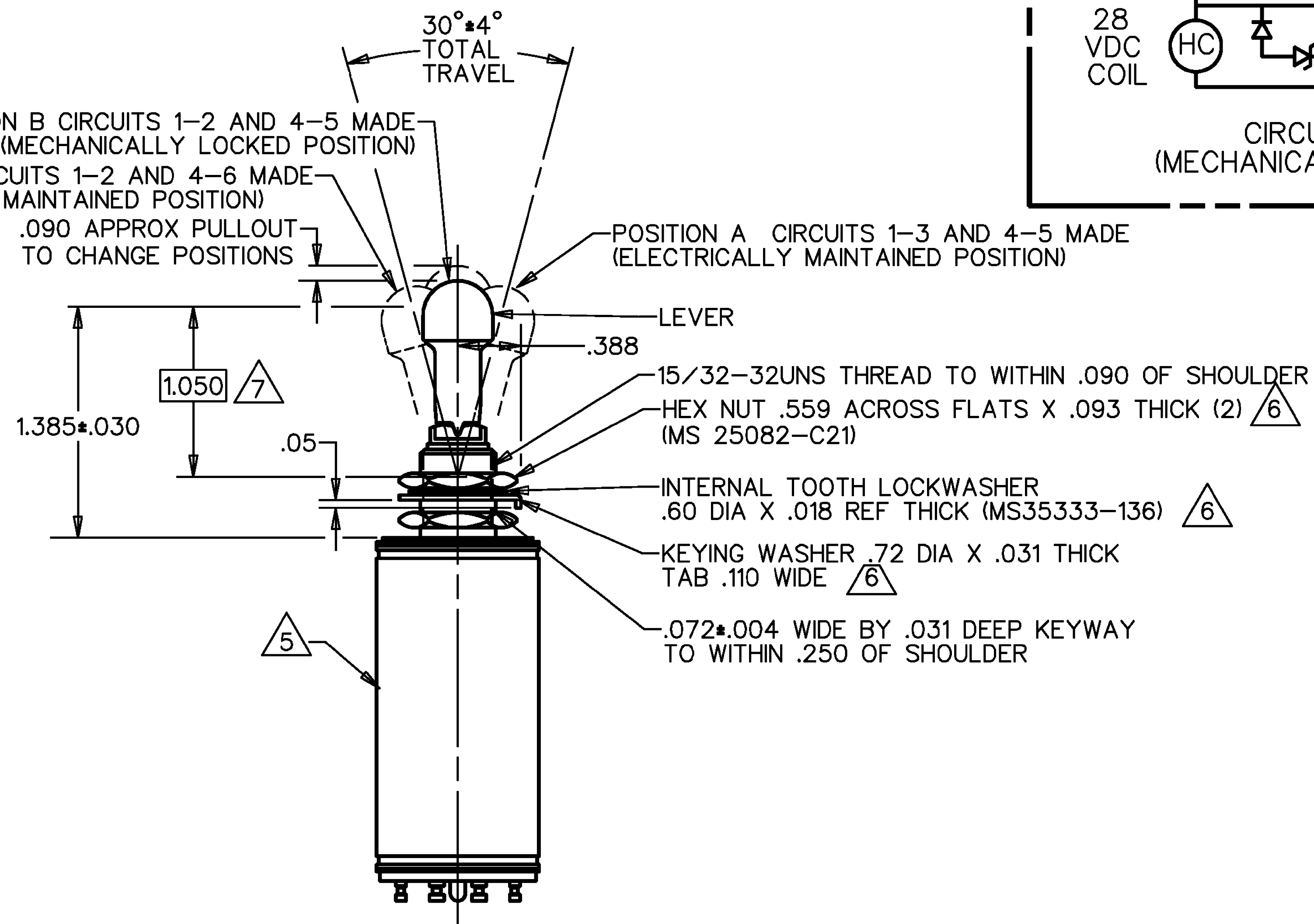
FED. MFG. CODE 91929

**SWITCH - TOGGLE
(MAGNETIC HOLD-IN)**

CATALOG LISTING
27ET119-T-E



POSITION B CIRCUITS 1-2 AND 4-5 MADE
(MECHANICALLY LOCKED POSITION)
POSITION C CIRCUITS 1-2 AND 4-6 MADE
(ELECTRICALLY MAINTAINED POSITION)
.090 APPROX PULLOUT
TO CHANGE POSITIONS



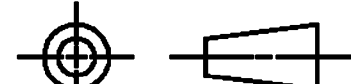
NOTES

- 1 - EXPOSED PARTS ARE OF CORROSION RESISTANT MATERIAL OR SUITABLY PROTECTED TO PREVENT CORROSION. ENCLOSURE FINISHED WITH BLUE EPOXY BASED ENAMEL COLOR NO. 25184 PER FEDERAL STANDARD 595
- 2 - SWITCH SEALED PER MIL-S-5594
- $\triangle 3$ - HOLD-IN VOLTAGE: THE MINIMUM SPECIFIED VOLTAGE AT WHICH THE LEVER WILL REMAIN ACTUATED. HOLD-IN MAY OCCUR AT A LOWER VALUE. DROP-OUT VOLTAGE: THE VOLTAGE RANGE IN WHICH THE LEVER WILL BE RELEASED
- 4 - CIRCUITS CAN BE TRANSFERRED MANUALLY. ENERGIZING THE COIL WILL NOT CAUSE TRANSFER OF CIRCUITS
- $\triangle 5$ - CIRCUIT IDENTIFICATION IS SHOWN ON SWITCH
- $\triangle 6$ - HARDWARE MAY BE FURNISHED UNASSEMBLED PER MIL-S-5594
- $\triangle 7$ - OVERRIDE FORCE AT 1.050 10 LBS MAX AT 30 VDC, .93 LBS MIN AT 17 VDC
- $\triangle 8$ - TERMINAL NUMBER 9 IS PERMANENTLY MARKED NEXT TO TERMINAL 7

CATALOG LISTING
27ET119-T-E
 PAGE 1 OF 1
 REPLACES
 RELEASE NO. PR-12396
 CHECK
 MAM 9MAY88
 D J S 10MAY98
 CHECK
 CMH
 REVISIONS
 A C061410
 MAM
 9 MAY 88
 B C093048
 S J W
 12 NOV 98
 C 200472
 C S L
 24 MAY 00
 D 0007597
 TCC-AP
 1 SEP 04
 E 0040821
 CHECK
 CMH
 NR
 20 JUN 08
 F 0076213
 S J K
 08 APR 11
 DRAWN
 M A M 9MAY88
 CHECK
 D J S 10MAY98
 RASTER

THIS DRAWING COVERS A PROPRIETARY ITEM AND IS THE PROPERTY OF MICRO SWITCH, A DIVISION OF HONEYWELL. THIS DRAWING IS NOT TO BE COPIED OR USED WITHOUT THE APPROVAL OF MICRO SWITCH

THIRD ANGLE PROJECTION



CHARACTERISTICS	SOLENOID RATING AT 20° C
STEAD STATE LIMITS	20-29 VDC
HOLD IN	15 VDC
DROP OUT	1-15 VDC
COIL RESISTANCE	220 OHM MIN

ELECTRICAL DATA	
CONTACT ARRANGEMENT S P D T (2)	
RATINGS IN AMPHERES	
VOLTAGE	SEA LEVEL
28 VOLTS DC	65,000 FT
	INRUSH RES IND MOTOR INRUSH RES IND MOTOR
	4 2 4 2

SCALE FULL	
DO NOT SCALE PRINT	
UNLESS OTHERWISE SPECIFIED TOLERANCES ARE	
ONE PLACE	(.0) ±.030
TWO PLACE	(.00) ±.015
THREE PLACE	(.000) ±.005
ANGLES	±
WEIGHT	4 OZ MAX