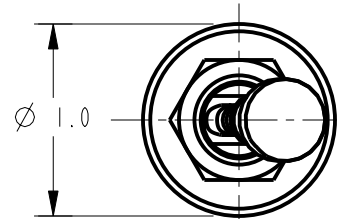


MICRO SWITCH
a Honeywell Division

FED. MFG. CODE 91929

**SWITCH-TOGGLE
(MAGNETIC HOLD-IN)**

CATALOG LISTING
26ET96-R1-G



CIRCUITS 1-3 AND 4-6 MADE
(ELECTRICALLY MAINTAINED
POSITION)

30° ± 4°
TOTAL TRAVEL

CIRCUITS 1-2 AND 4-5 MADE
(MECHANICALLY MAINTAINED
POSITION)

.090 APPROX
PULLOUT TO
CHANGE POSITION

1.56 ± .05

.54

1.050 ⁹

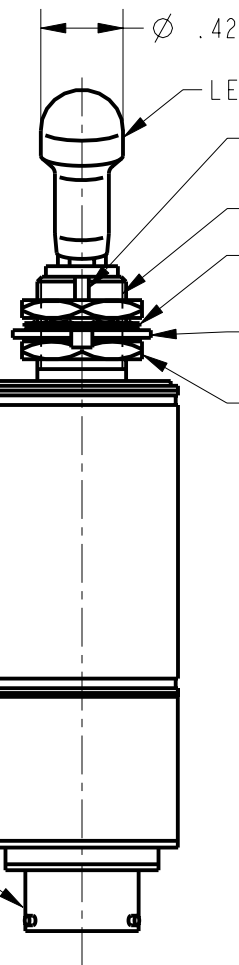
.05 ⁸
.335

.392 ⁵

2.920 MAX

.435 ± .030 ¹⁰

MS27478Y10ES35PA
CONNECTOR TO MATE
WITH MS27473T10B35SA



LEVER

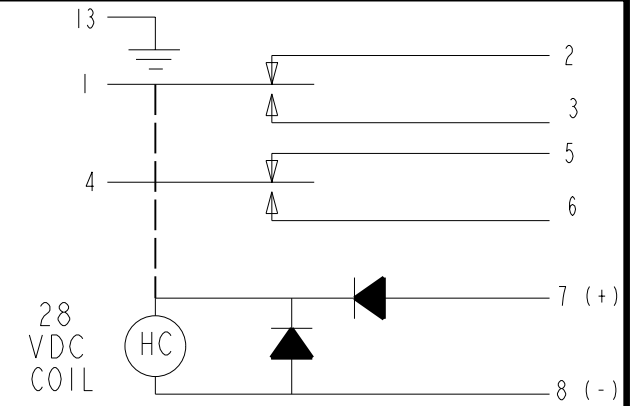
.072 ± .004 WIDE X ∇ .031 KEYWAY
TO WITHIN .250 OF SHOULDER

15/32-32 UNSTHREAD TO WITHIN .090 OF SHOULDER

INTERNAL TOOTH LOCKWASHER
Ø.60 X (.018) THICK (MS35333-136) ⁸

KEYING WASHER (MS25081-C4) Ø.72 X .040
THICK, TAB .110 WIDE ⁸

2X HEX NUT .559 ACROSS FLATS X .093 THICK
(MS25082-C2) ⁸



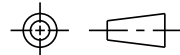
CIRCUIT DIAGRAM
(MECHANICALLY MAINTAINED
POSITION)

NOTES

- 1 - EXPOSED PARTS ARE OF CORROSION RESISTANT MATERIAL OR ARE SUITABLY PROTECTED TO PREVENT CORROSION. ENCLOSURE FINISHED WITH BLUE EPOXY BASED ENAMEL COLOR NUMBER 25184 PER FEDERAL STANDARD 595
- 2 - SWITCH SEALED PER MIL-S-5594
- 3 - HOLD IN VOLTAGE: THE MINIMUM SPECIFIED VOLTAGE AT WHICH THE LEVER WILL REMAIN ACTUATED. HOLD IN MAY OCCUR AT A LOWER VALUE.
DROP OUT VOLTAGE: THE VOLTAGE RANGE IN WHICH THE LEVER WILL BE RELEASED
- 4 - CIRCUITS CAN BE TRANSFERRED MANUALLY. ENERGIZING THE COIL WILL NOT CAUSE TRANSFER OF CIRCUITS
- 5 - CIRCUIT IDENTIFICATION IS SHOWN ON SWITCH
- 6 - SWITCHES DO NOT NECESSARILY OPERATE SIMULTANEOUSLY
- 7 - THE DIODES ARE JANTXV TYPE AND LIMIT THE EMI: SPIKES (TRANSIENTS OF DURATION LESS THAN 500 MICRO SECONDS) GENERATED BY THE SWITCH COIL SHALL NOT EXCEED +42 VOLTS OR -14 VOLTS ABSOLUTE
- 8 - HARDWARE MAYBE FURNISHED UNASSEMBLED PER MIL-S-5594
- 9 - FORCE TO BE APPLIED AT THIS POINT IN A DIRECTION PERPENDICULAR TO THE LEVER LONGITUDINAL AXIS
- 10 - POLARIZING KEY IN LINE WITH KEYWAY WITHIN ±10°

THIS DRAWING COVERS A PROPRIETARY ITEM AND IS THE PROPERTY OF MICRO SWITCH, A DIVISION OF HONEYWELL. THIS DRAWING IS NOT TO BE COPIED OR USED WITHOUT THE APPROVAL OF MICRO SWITCH

THIRD ANGLE PROJECTION



CHARACTERISTICS ³

SOLENOID RATING AT 20°	
STEADY STATE LIMITS	20-30 VDC
HOLD IN	15 VDC
DROP OUT	0.5-15 VDC
VERRIDE FORCE AT 30 VDC ⁹	2.5-10 LB
OPERATING FORCE ⁹	7 LBS MAX
COIL RESISTANCE	220 OHM MIN
PULL TO UNLOCK	3-5 LBS

ELECTRICAL DATA

CONTACT ARRANGEMENT 2X SPDT					
RATINGS IN AMPHERES					
VOLTAGE	SEA LEVEL		65,000 FT		
	RES	IND	MOTOR	RES	IND
28 VDC	4	2.5	4	4	2.0

SCALE FULL

DO NOT SCALE PRINT

UNLESS OTHERWISE SPECIFIED TOLERANCES ARE					
ONE PLACE	(.0)	±.030			
TWO PLACE	(.00)	±.015			
THREE PLACE	(.000)	±.005			
ANGLES		±			

WEIGHT 7.0 OZ MAX

ANSI Y14.5M-1982 APPLIES

CATALOG LISTING

PAGE 1 OF 1

REPLACES

RELEASE NO. PR-23699

CHECK

REVISIONS

A 202711

GRT 17 APR 01

CHECK

17 APR 01

CHECK

SAV

17 APR 01

CHECK

DRAWN

PTC/CAD 2D

GRT

26ET96-R1-G

M

4

CHECK

17 APR 01

CHECK

17 APR 01

CHECK

17 APR 01

CHECK

17 APR 01

CHECK

17 APR 01

CHECK

17 APR 01

CHECK

17 APR 01

CHECK

17 APR 01

CHECK

17 APR 01

GRT