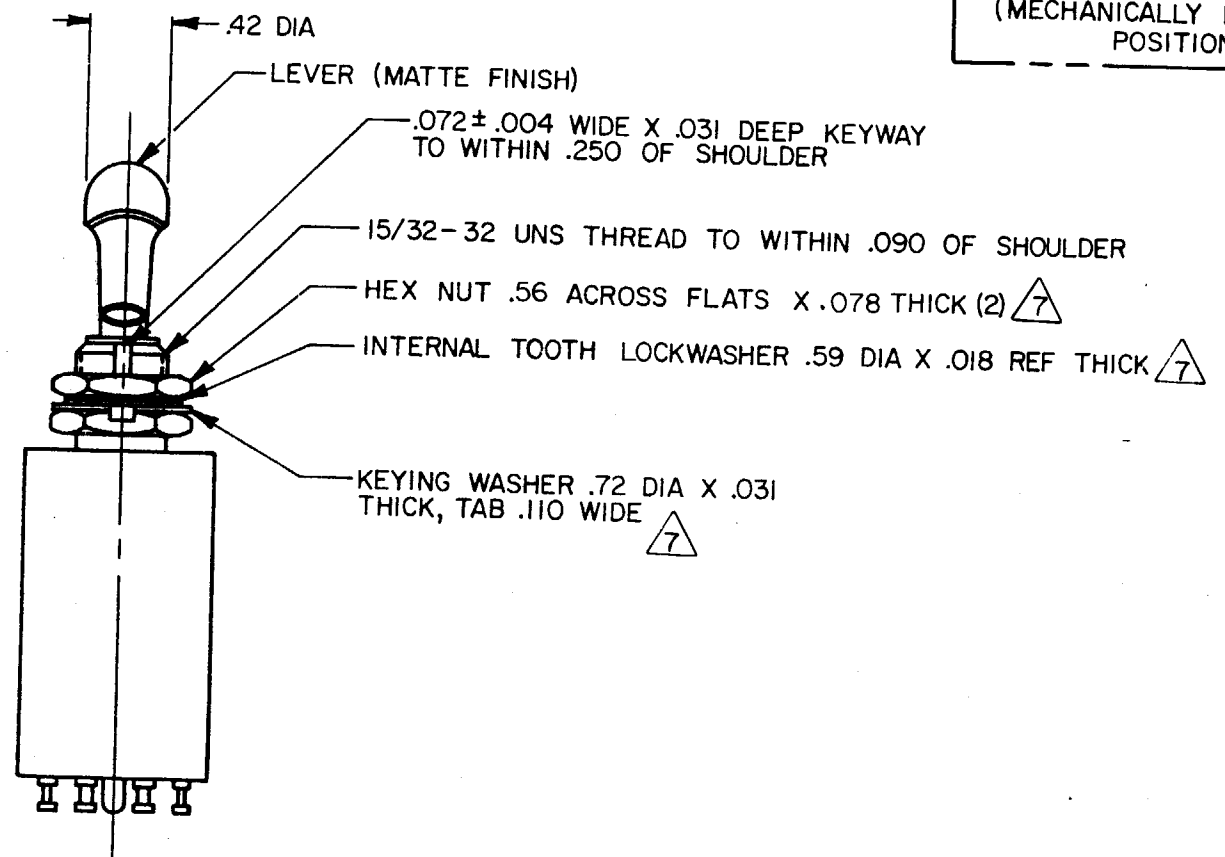
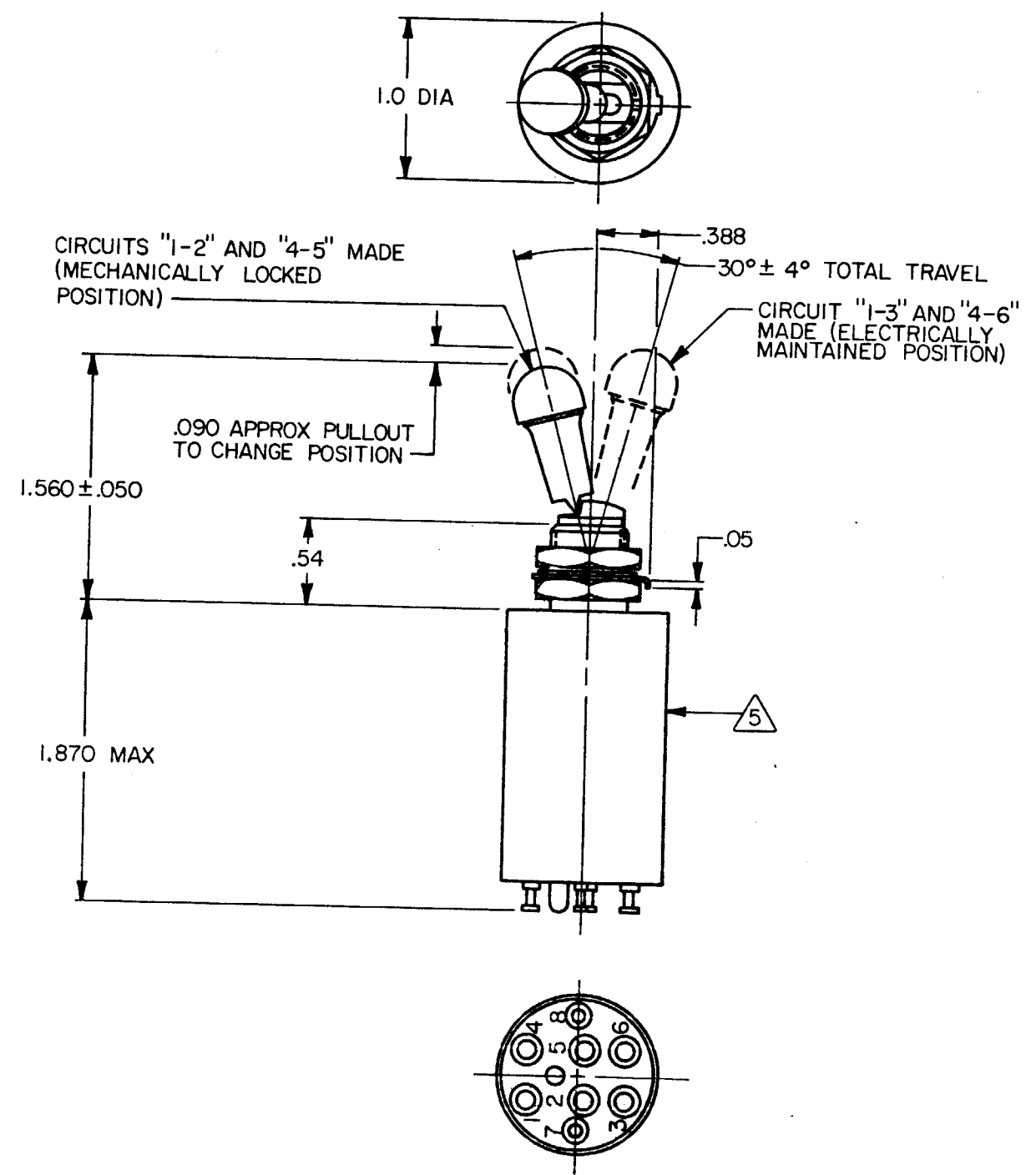
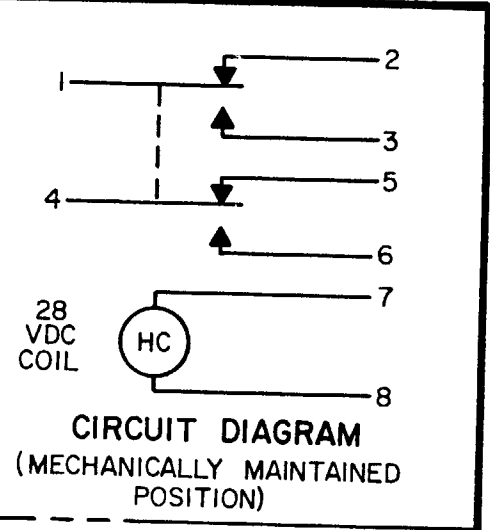


MICRO SWITCH
 FREEPORT, ILLINOIS, U.S.A.
 A DIVISION OF HONEYWELL
 FED. MFG. CODE 91929

**SWITCH-TOGGLE
 (MAGNETIC HOLD IN)**

CATALOG LISTING
26ET81-T-F

26ET81-T-F
 DRAWING NUMBER
 ISSUE X8
 REVISIONS
 A REINST PR-11713
 7 JAP DEC 82
 B C052568
 14 CJH APR 83
 C CO 53919
 20 T M M SEP 83
 D C053401
 15 TSK MAR 84
 J A P 7 DEC 82
 DRAWN
 CHECK D.W. 10 DEC 82
 FO-92851-B



- NOTES**
- 1 - EXPOSED PARTS ARE OF CORROSION RESISTANT MATERIAL OR ARE SUITABLY PROTECTED TO PREVENT CORROSION. ENCLOSURE FINISHED WITH BLUE EPOXY BASED ENAMEL COLOR NO. 25184 PER FEDERAL STANDARD 595
 - 2 - SWITCH SEALED PER MIL-S-5594
 - 3 HOLD IN VOLTAGE: THE MINIMUM SPECIFIED VOLTAGE AT WHICH THE LEVER WILL REMAIN ACTUATED. HOLD IN MAY OCCUR AT A LOWER VALUE.
 DROP OUT VOLTAGE: THE VOLTAGE RANGE IN WHICH THE LEVER WILL BE RELEASED
 - 4 - CIRCUITS CAN BE TRANSFERRED MANUALLY. ENERGIZING THE COIL WILL NOT CAUSE TRANSFER OF CIRCUITS
 - 5 CIRCUIT IDENTIFICATION IS SHOWN ON SWITCH
 - 6 - SWITCHES DO NOT NECESSARILY OPERATE SIMULTANEOUSLY
 - 7 HARDWARE MAYBE FURNISHED UNASSEMBLED PER MIL-S-5594

THIS DRAWING COVERS A PROPRIETARY ITEM AND IS THE PROPERTY OF MICRO SWITCH, A DIVISION OF HONEYWELL. THIS DRAWING IS NOT TO BE COPIED OR USED WITHOUT THE APPROVAL OF MICRO SWITCH.

CHARACTERISTICS		ELECTRICAL DATA	
SOLENOID RATING AT 20°C		CONTACT ARRANGEMENT S P D T (2)	
STEADY STATE LIMITS	20-29 VDC	RATING IN AMPERES	
HOLD IN	15 VDC	28 VDC	
DROP OUT	0-15 VDC	SEA LEVEL	65,000 FT.
OPERATING FORCE AT 30 VDC	5 LB MAX	RES	4
OPERATING FORCE AT 20 VDC	10 OZ MIN	IND	2.5
OPERATING FORCE	10 OZ TO 7 LBS	MOTOR	4
COIL RESISTANCE	460 OHM MIN		

SCALE FULL

DO NOT SCALE PRINT

TOLERANCES
 APPLY TO DESIGN UNITS. CONVERSIONS ARE ONLY FOR REFERENCE. UNLESS NOTED, TOLERANCES ARE ±

DIM.	TOL.	DIM.	TOL.
mm	mm/in	in	mm/in
NO PLACES	X	1/64	X, X
ONE PLACE	X, X	0.001	X, X, X
TWO PLACES	X, X, X	0.0005	X, X, X, X
THREE PLACES	X, X, X, X	0.0002	X, X, X, X, X

DESIGN UNITS: SI METRIC US CUSTOMARY

THIRD ANGLE PROJECTION

WEIGHT 4.0 OZ MAX.