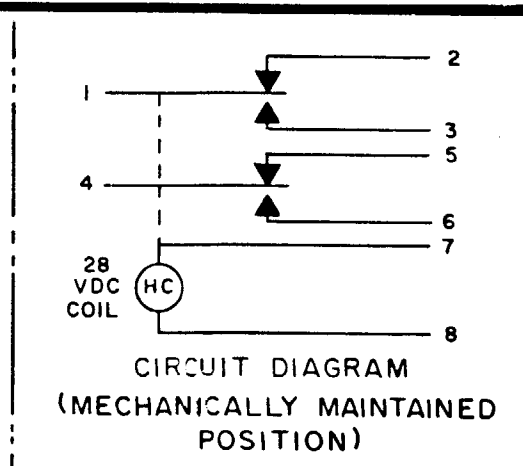


MICRO SWITCH

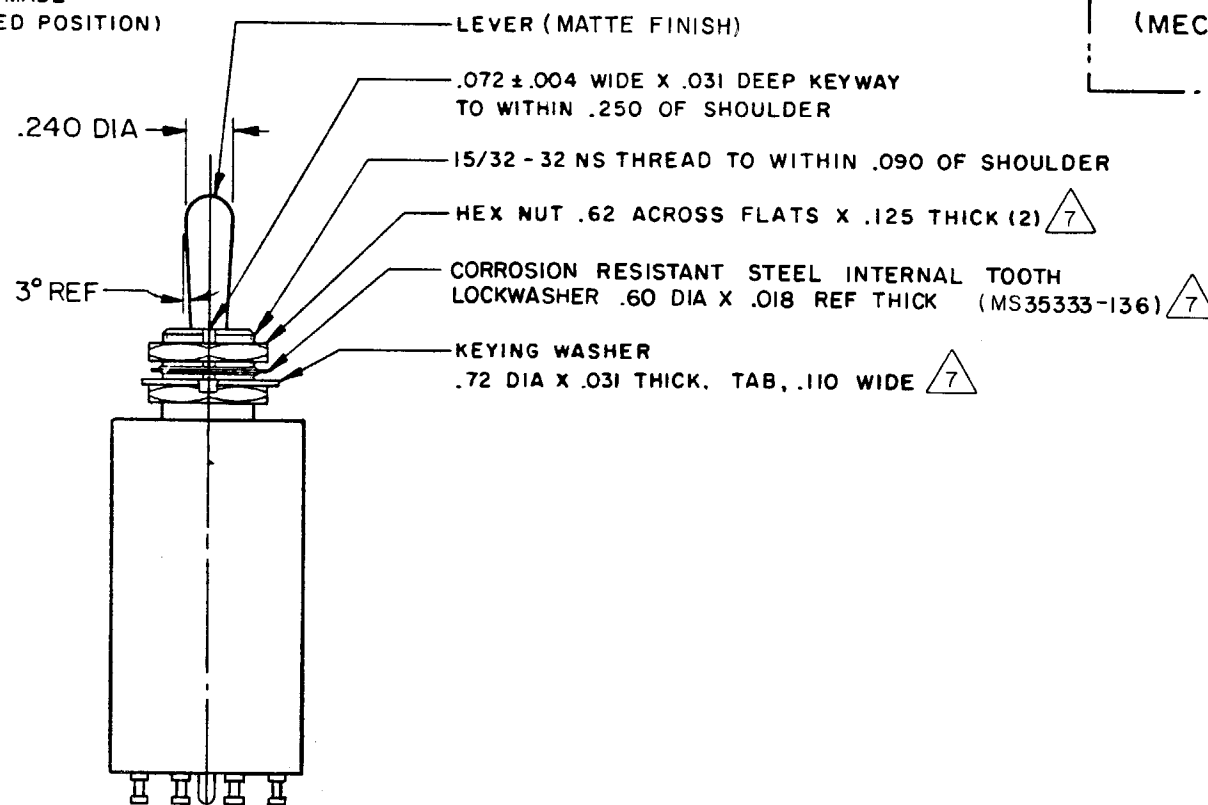
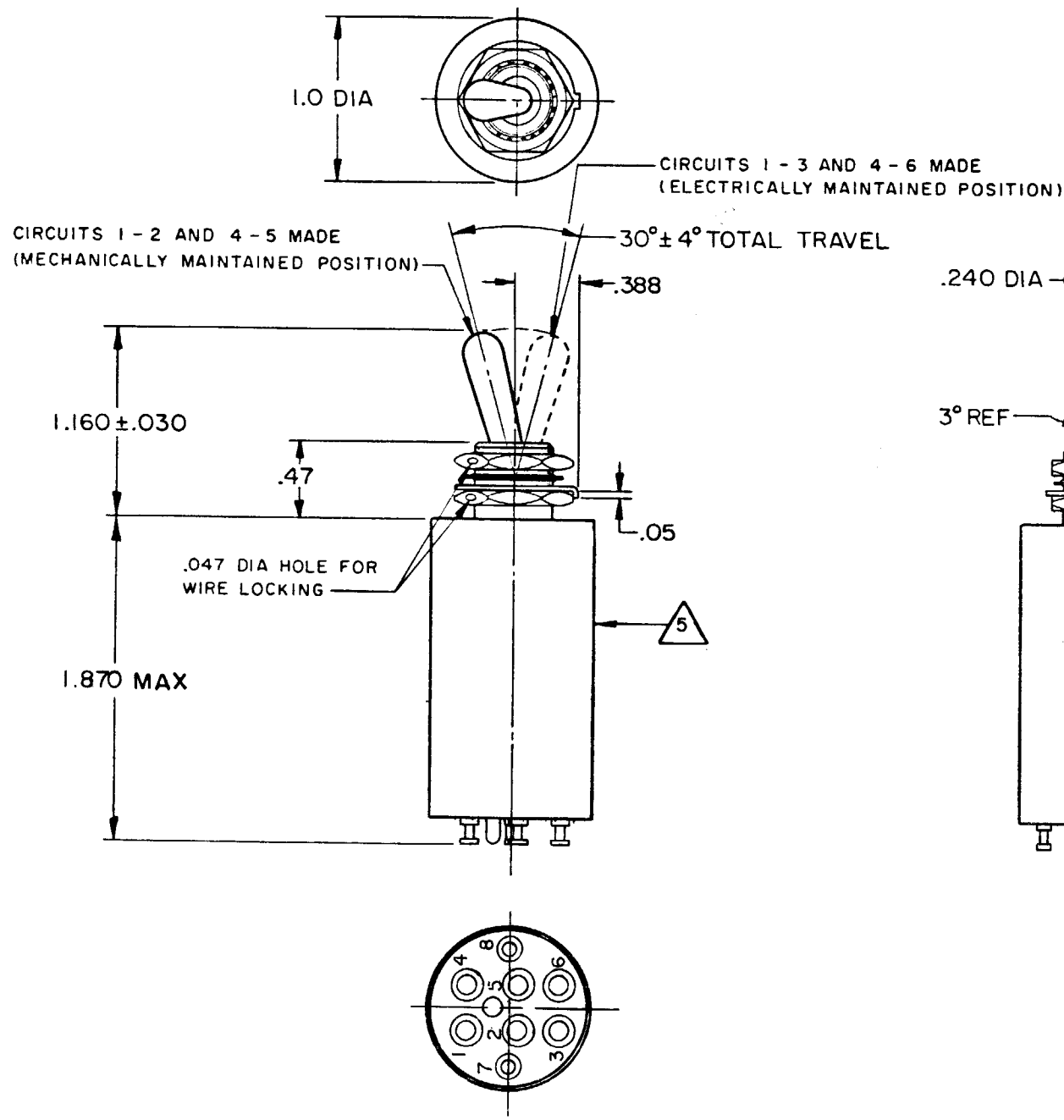
A DIVISION OF MINNEAPOLIS HONEYWELL REGULATOR COMPANY
 FREEPORT, ILLINOIS
 FED. MFR. CODE 91929

**SWITCH - TOGGLE
 (MAGNETIC HOLD-IN)**

CATALOG LISTING
26ET66-T



26ET66-T
 M
 DRAWING NUMBER
 ISSUE
 REVISIONS
 A PR-5528
 5 K S W FEB 76
 B C037095
 7 R E R JUN 76
 C C037352
 8 K P K JUL 78
 D CO 50162
 9 W J M OCT 81
 E C053401
 10 T S K MAR 84
 11 F E B 76
 12 F E B 76
 13 F E B 76
 14 F E B 76
 15 F E B 76
 16 F E B 76
 17 F E B 76
 18 F E B 76
 19 F E B 76
 20 F E B 76
 21 F E B 76
 22 F E B 76
 23 F E B 76
 24 F E B 76
 25 F E B 76
 26 F E B 76
 27 F E B 76
 28 F E B 76
 29 F E B 76
 30 F E B 76
 31 F E B 76
 32 F E B 76
 33 F E B 76
 34 F E B 76
 35 F E B 76
 36 F E B 76
 37 F E B 76
 38 F E B 76
 39 F E B 76
 40 F E B 76
 41 F E B 76
 42 F E B 76
 43 F E B 76
 44 F E B 76
 45 F E B 76
 46 F E B 76
 47 F E B 76
 48 F E B 76
 49 F E B 76
 50 F E B 76
 51 F E B 76
 52 F E B 76
 53 F E B 76
 54 F E B 76
 55 F E B 76
 56 F E B 76
 57 F E B 76
 58 F E B 76
 59 F E B 76
 60 F E B 76
 61 F E B 76
 62 F E B 76
 63 F E B 76
 64 F E B 76
 65 F E B 76
 66 F E B 76
 67 F E B 76
 68 F E B 76
 69 F E B 76
 70 F E B 76
 71 F E B 76
 72 F E B 76
 73 F E B 76
 74 F E B 76
 75 F E B 76
 76 F E B 76
 77 F E B 76
 78 F E B 76
 79 F E B 76
 80 F E B 76
 81 F E B 76
 82 F E B 76
 83 F E B 76
 84 F E B 76
 85 F E B 76
 86 F E B 76
 87 F E B 76
 88 F E B 76
 89 F E B 76
 90 F E B 76
 91 F E B 76
 92 F E B 76
 93 F E B 76
 94 F E B 76
 95 F E B 76
 96 F E B 76
 97 F E B 76
 98 F E B 76
 99 F E B 76
 100 F E B 76



- NOTES**
- 1- EXPOSED PARTS ARE OF CORROSION RESISTANT MATERIAL OR ARE SUITABLY PROTECTED TO PREVENT CORROSION. ENCLOSURE FINISHED WITH BLUE EPOXY BASED ENAMEL COLOR NO. 25184 PER FEDERAL STANDARD 595
 - 2- SWITCH SEALED PER MIL-S-5594
 - 3- HOLD IN VOLTAGE: THE MINIMUM SPECIFIED VOLTAGE AT WHICH THE LEVER WILL REMAIN ACTUATED. HOLD IN MAY OCCUR AT A LOWER VALUE. DROP OUT VOLTAGE: THE VOLTAGE RANGE IN WHICH THE LEVER WILL BE RELEASED
 - 4- CIRCUITS CAN BE TRANSFERRED MANUALLY. ENERGIZING THE COIL WILL NOT CAUSE TRANSFER OF CIRCUITS
 - 5- CIRCUIT IDENTIFICATION IS SHOWN ON SWITCH
 - 6- SWITCHES DO NOT NECESSARILY OPERATE SIMULTANEOUSLY
 - 7- HARDWARE MAYBE FURNISHED UNASSEMBLED PER MIL-S-5594

THIS DRAWING COVERS A PROPRIETARY ITEM AND IS THE PROPERTY OF MICRO SWITCH, A DIVISION OF MINNEAPOLIS-HONEYWELL REGULATOR CO. THIS DRAWING IS NOT TO BE COPIED OR USED WITHOUT THE APPROVAL OF MICRO SWITCH.

CHARACTERISTICS	ELECTRICAL DATA	SCALE FULL
SOLENOID RATING AT 20° C	CONTACT ARRANGEMENT S P D T (2)	DO NOT SCALE PRINT
STEADY STATE LIMITS----- 20-29 VDC	RATING IN AMPERES	UNLESS OTHERWISE SPECIFIED DIMENSIONS ARE IN INCHES
HOLD IN ----- 15 VDC		
DROP OUT ----- 0-15 VDC	VOLTAGE	TOLERANCES ARE:
OVERRIDE FORCE AT 29 VDC----- 10 LB MAX	SEA LEVEL	ONE PLACE (.0) ± .030
OPERATING FORCE ----- 7 LB MAX	65,000 FT	TWO PLACE (.00) ± .015
COIL RESISTANCE ----- 240 OHM MIN	RES IND MOTOR	THREE PLACE (.000) ± .005
	28 VOLTS DC	ANGLES ±
	4 2.5 .4	
	4 2.0 .4	
		WEIGHT 4.0 OZ MAX