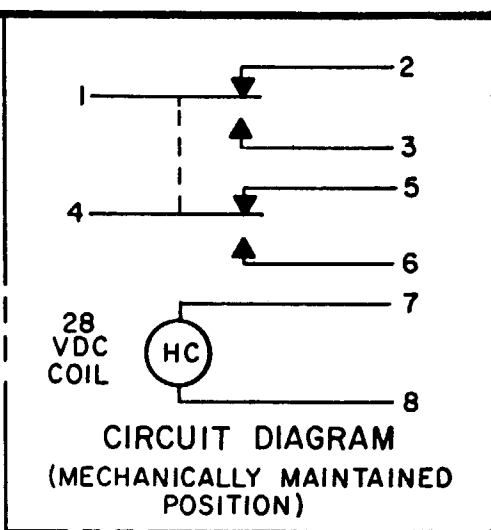


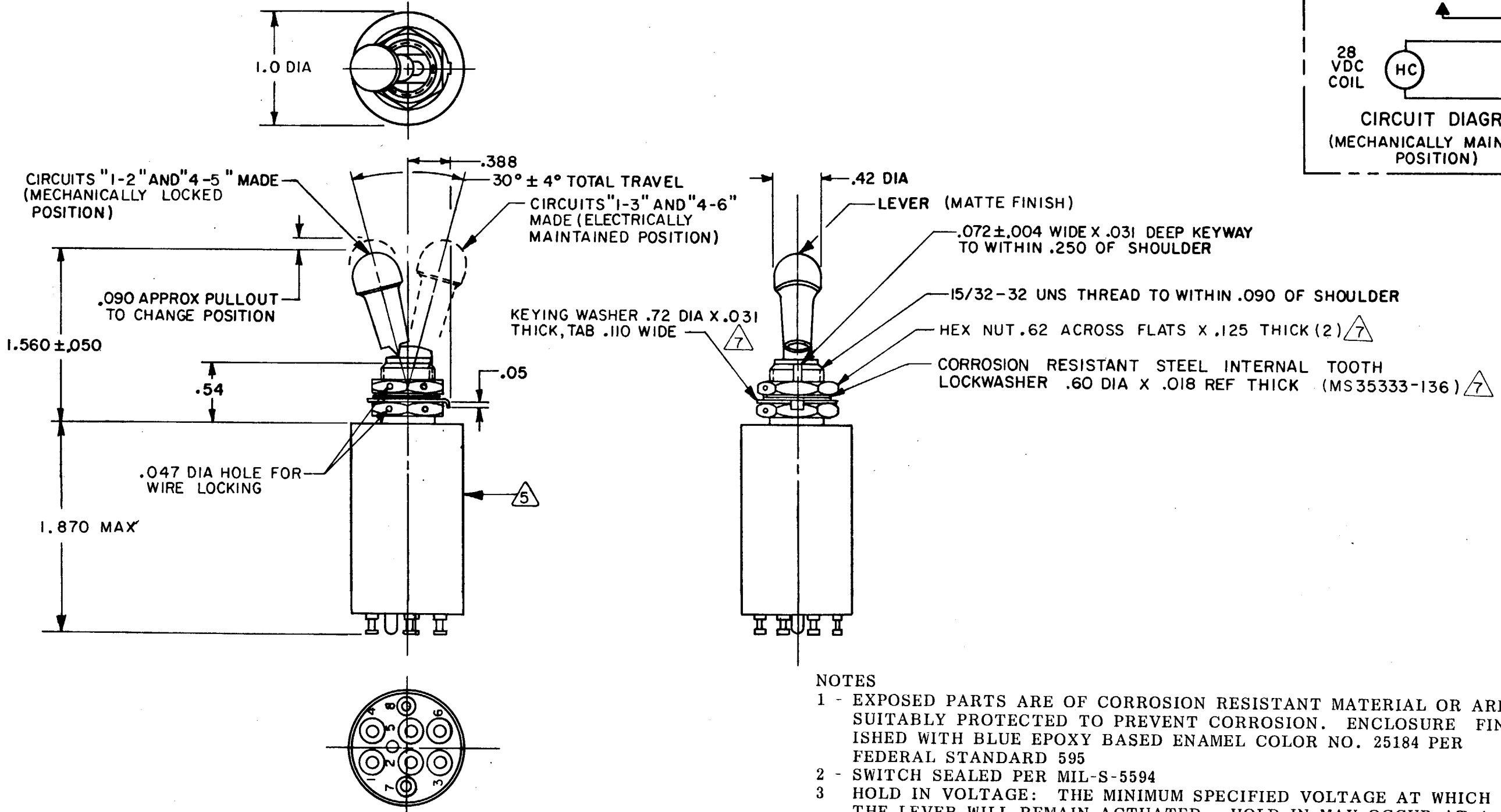
MICRO SWITCH
 FREEPORT ILLINOIS U S A
 A DIVISION OF HONEYWELL
 FED. MFG. CODE 91929

SWITCH - TOGGLE
(MAGNETIC HOLD-IN)

CATALOG LISTING
26ET61-T-F



M 26ET61-T-F
 DRAWING NUMBER
 ISSUE 6
 REVISIONS
 A PR 8627
 S L B 29 MAY 80
 B CO 50162
 WJM 6 OCT 81
 C CO53401
 TSK 15 MAR 84
 D CO54999
 J A P 2 MAY 84
 CHECK
 S L B 29 MAY 80
 DRAWN
 FO-5285 1-A



- NOTES**
- 1 - EXPOSED PARTS ARE OF CORROSION RESISTANT MATERIAL OR ARE SUITABLY PROTECTED TO PREVENT CORROSION. ENCLOSURE FINISHED WITH BLUE EPOXY BASED ENAMEL COLOR NO. 25184 PER FEDERAL STANDARD 595
 - 2 - SWITCH SEALED PER MIL-S-5594
 - 3 HOLD IN VOLTAGE: THE MINIMUM SPECIFIED VOLTAGE AT WHICH THE LEVER WILL REMAIN ACTUATED. HOLD IN MAY OCCUR AT A LOWER VALUE.
 DROP OUT VOLTAGE: THE VOLTAGE RANGE IN WHICH THE LEVER WILL BE RELEASED
 - 4 - CIRCUITS CAN BE TRANSFERRED MANUALLY. ENERGIZING THE COIL WILL NOT CAUSE TRANSFER OF CIRCUITS
 - 5 CIRCUIT IDENTIFICATION IS SHOWN ON SWITCH
 - 6 - SWITCHES DO NOT NECESSARILY OPERATE SIMULTANEOUSLY
 - 7 HARDWARE MAYBE FURNISHED UNASSEMBLED PER MIL-S-5594

THIS DRAWING COVERS A PROPRIETARY ITEM AND IS THE PROPERTY OF MICRO SWITCH, A DIVISION OF HONEYWELL. THIS DRAWING IS NOT TO BE COPIED OR USED WITHOUT THE APPROVAL OF MICRO SWITCH.		THIRD ANGLE PROJECTION	SCALE FULL
CHARACTERISTICS 3		ELECTRICAL DATA	
SOLENOID RATING AT 20° C		CONTACT ARRANGEMENT S P D T (2)	
STEADY STATE LIMITS	20 - 29 VDC	28 VDC	
HOLD IN	15 VDC	SEA LEVEL	65,000 FT.
DROP OUT	0-15 VDC	RES	4
OVERRIDE FORCE AT 29 VDC	10 LB MAX	IND	2.5
OPERATING FORCE	7 LB MAX	MOTOR	4
COIL RESISTANCE	220 OHM MIN		
		WEIGHT 6.0 OZ MAX	

TOLERANCES			
APPLY TO DESIGN UNITS. CONVERSIONS ARE ONLY FOR REFERENCE. UNLESS NOTED, TOLERANCES ARE ±			
DIM.	TOL.	DIM.	TOL.
mm	mm/in	in	mm/in
NO PLACES	X	17.04	
ONE PLACE	X, X	0.41, 0.18	X, X
TWO PLACES	X, XX	0.157, 0.008	X, XX
THREE PLACES	X, XXX		X, XXX
ANGLES			
SI METRIC		US CUSTOMARY	
DESIGN UNITS <input type="checkbox"/>		<input checked="" type="checkbox"/>	
RAW MATERIAL-COMMERCIAL STANDARD MICRO SWITCH STANDARDS APPLY			
DIMENSIONS ARE TO BE MET BEFORE PROTECTIVE COATINGS ARE APPLIED			