

MICRO SWITCH
a Honeywell Division

FED. MFG. CODE 91929

**SWITCH - TOGGLE
(MAGNETIC HOLD-IN)**

CATALOG LISTING

26ET41-T

CATALOG LISTING
26ET41-T

PAGE 1 OF 1

ISSUE **10**

REVISIONS
A 205955
10 JUL 02
B 0007597
SWO/AP
16 SEP 04
C 0040821
NR
18 JUN 08

CHECK 18 JUN 08
CMH 10 JUL 02
CHECK 10 JUL 02
CMH 10 JUL 02

CHECK 10 JUL 02
CMH 10 JUL 02

PTC/CAD 2D
DRAWN C S L 10 JUL 02

REPLACES -

RELEASE NO. PR-4869

CHECK

CHECK

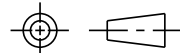
CHECK

THIS DRAWING COVERS A PROPRIETARY ITEM AND IS THE PROPERTY OF MICRO SWITCH, A DIVISION OF HONEYWELL. THIS DRAWING IS NOT TO BE COPIED OR USED WITHOUT THE APPROVAL OF MICRO SWITCH

CHARACTERISTICS	3
SOLENOID RATING AT 20°C	
STEADY STATE LIMITS	20-29 VDC
HOLD IN	15 VDC
DROP OUT	0-15 VDC
OVERRIDE FORCE AT 29 VDC	10 LB MAX
OPERATING FORCE	7 LBS MAX
COIL RESISTANCE	220 OHM MIN

ELECTRICAL DATA						
CONTACT ARRANGEMENT SPDT (2)						
VOLTAGE	RATINGS IN AMPHERES					
	SEA LEVEL	65,000 FT				
28 VOLTS DC	INRUSH RES	IND MOTOR	INRUSH RES	IND MOTOR		
	4	2.5	4	4	2.0	4

THIRD ANGLE PROJECTION



SCALE FULL

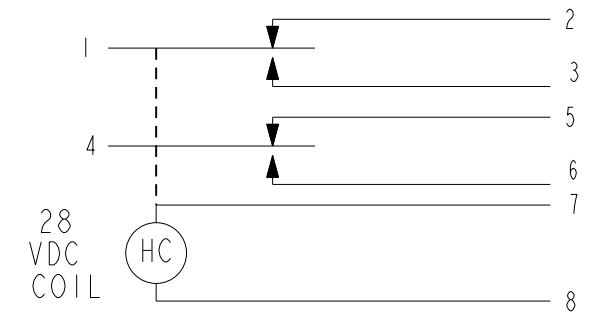
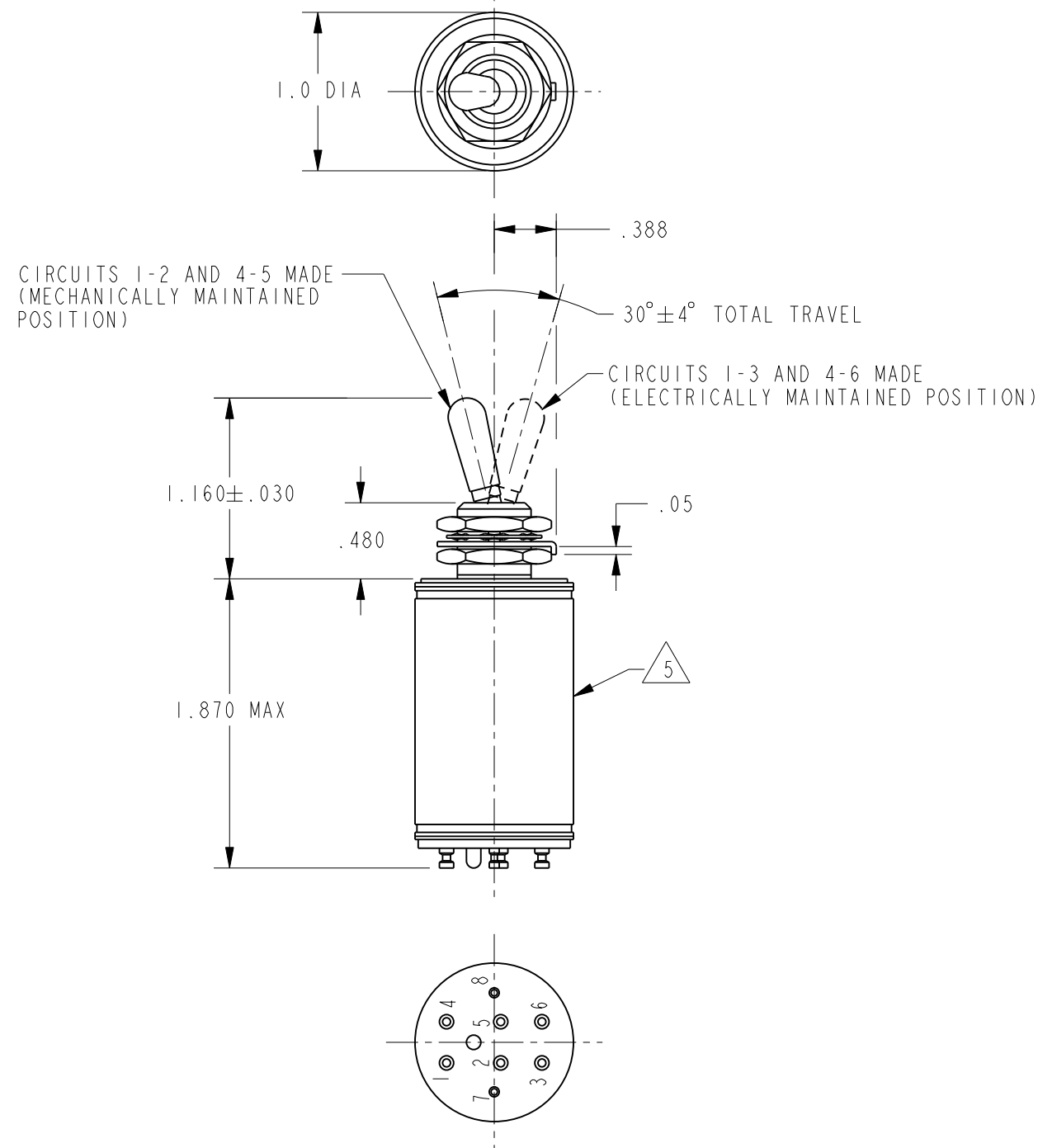
DO NOT SCALE PRINT

UNLESS OTHERWISE SPECIFIED TOLERANCES ARE

ONE PLACE	(.0)	±.030
TWO PLACE	(.00)	±.015
THREE PLACE	(.000)	±.005
ANGLES		±

WEIGHT 4.0 OZ MAX

ANSI Y14.5M-1982 APPLIES



CIRCUIT DIAGRAM
(MECHANICALLY MAINTAINED POSITION)

NOTES

- 1 - EXPOSED PARTS ARE OF CORROSION RESISTANT MATERIAL OR ARE SUITABLY PROTECTED TO PREVENT CORROSION, ENCLOSURE FINISHED WITH BLUE EPOXY BASED ENAMEL COLOR NO. 25184 PER FEDERAL STANDARD 595
- 2 - SWITCH SEALED PER MIL-S-5594
- 3 - HOLD IN VOLTAGE: THE MINIMUM SPECIFIED VOLTAGE AT WHICH THE LEVER WILL REMAIN ACTUATED. HOLD IN MAY OCCUR AT A LOWER VALUE. DROP OUT VOLTAGE: THE VOLTAGE RANGE IN WHICH THE LEVER WILL BE RELEASED
- 4 - CIRCUITS CAN BE TRANSFERRED MANUALLY. ENERGIZING THE COIL WILL NOT CAUSE TRANSFER OF CIRCUITS
- 5 - CIRCUIT IDENTIFICATION IS SHOWN ON SWITCH
- 6 - SWITCHES DO NOT NECESSARILY OPERATE SIMULTANEOUSLY
- 7 - HARDWARE MAY BE FURNISHED UNASSEMBLED PER MIL-S-5594