

MICRO SWITCH
a Honeywell Division

FED. MFG. CODE 91929

**SWITCH - TOGGLE
(MAGNETIC HOLD-IN)**

CATALOG LISTING

26ET33-T

THIS DRAWING COVERS A PROPRIETARY ITEM AND IS THE PROPERTY OF MICRO SWITCH. A DIVISION OF HONEYWELL. THIS DRAWING IS NOT TO BE COPIED OR USED WITHOUT THE APPROVAL OF MICRO SWITCH

SPECIFICATION DETAILS:

STANDARD:	CONFORMS TO MIL-S-5594
CONSTRUCTION:	
ENCLOSURE DESIGN	SEALED TO 1X10 ⁻⁶ ATM*CC/S PER MIL-S-5594 PARA. 3.12 & 4.9.8
SEAL MATERIAL	SILICONE RUBBER
CONTACT MATERIAL & CONFIGURATION	SMOOTH GOLD PLATED SILVER CONTACTS $\triangle/3$
CIRCUIT CONFIGURATION	2X S.P.D.T.
TERMINATION	SOLDER TERMINALS
WEIGHT	4 ozf (1.1 N) MAX
EXPOSED METALS	CORROSION RESISTANT OR SUITABLY PROTECTED TO PREVENT CORROSION
ENCLOSURE PAINT	BLUE EPOXY BASED ENAMEL COLOR NO. 25184 PER FEDERAL STANDARD 595

ELECTRICAL CHARACTERISTICS:

ELECTRICAL RATINGS	VOLTAGE	INDUCTIVE	RESISTIVE	MOTOR
	-SEA LEVEL	28 VDC	2.5 AMP	4 AMP
-65,000 FEET	28 VDC	2.0 AMP	4 AMP	4 AMP

DIELECTRIC STRENGTH & INSULATION RES	DIELECTRIC STRENGTH	INSULATION RESISTANCE
	-BETWEEN ALL TERMINALS AND EXPOSED NON-CURRENT CARRYING METAL OR GROUNDED PARTS	\approx 60 Hz FOR 5 SEC) 1000V RMS, 1000 μ A (MAX LKG)
-BETWEEN ALL TERMINALS OF MUTUALLY INSULATED CIRCUITS, INCLUDING BETWEEN POLES	1000V RMS, 1000 μ A (MAX LKG)	N/A
-BETWEEN ALL UNCONNECTED TERMINALS OF THE SAME POLE	1000V RMS, 1000 μ A (MAX LKG)	N/A

SWITCH RESISTANCE	N/A
RECOMMENDATION OR USE IN APPL LESS THAN .5 amps AND/OR 12 volts	YES $\triangle/3$

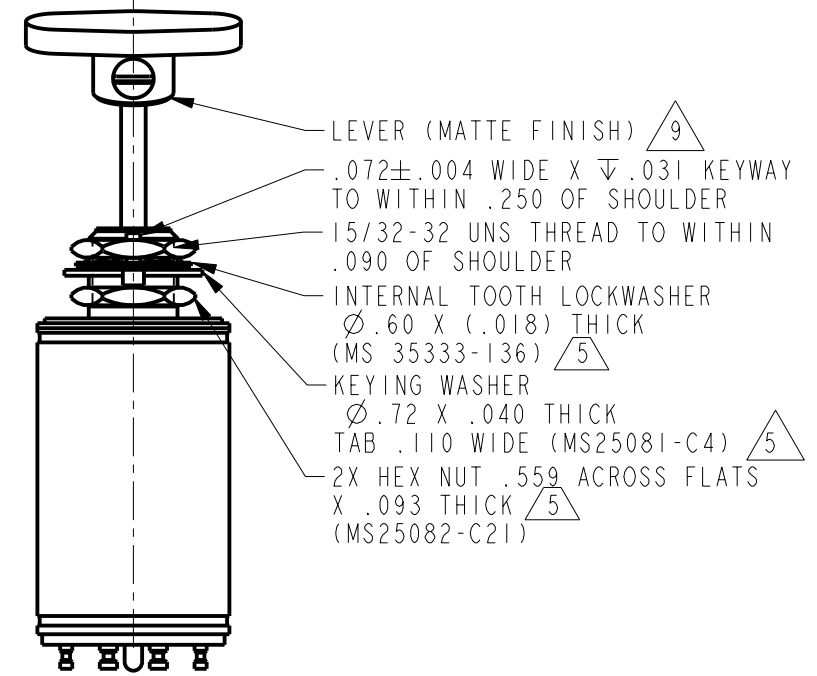
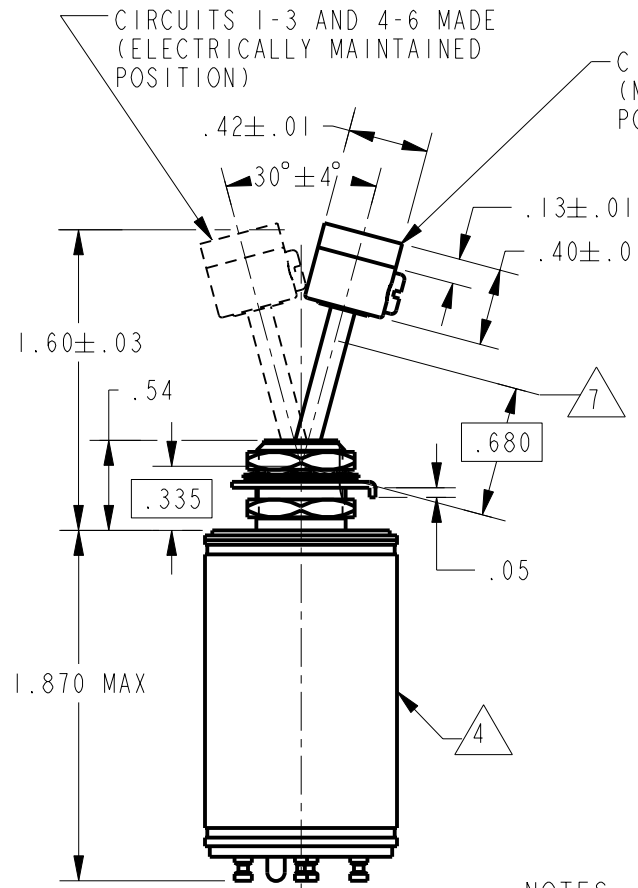
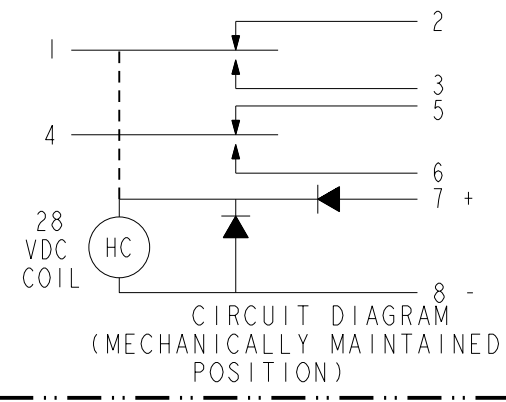
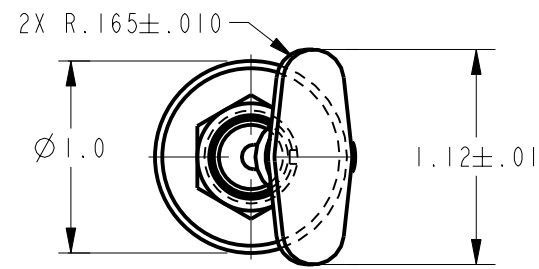
MECHANICAL CHARACTERISTICS: $\triangle/2$	
STEADY STATE LIMITS	20 -30 VDC
HOLD IN VOLTAGE	15 VDC
DROP OUT VOLTAGE	1.5-15 VDC
OPERATING FORCE AT 30 VDC	7 lbf (31,1 N) MAX
OVERRIDE FORCE AT 30 VDC	10 lbf (44,5 N) MAX
SOLENOID RESISTANCE AT 30 VDC AND 68°F (20°C)	220 OHMS MIN
MOUNTING STRENGTH	15 lbf-IN (1,7 NM) MAX
ACTUATING STRENGTH	25 lbf (111,2N) PER MIL-S-5594 PARA.3.8 & 4.9.4.A 15 lbf (66,7N) PER MIL-S-5594 PARA.3.8 & 4.9.4.B

LIFE:	
MECHANICAL LIFE	40,000 CYCLES MIN PER MIL-S-5594 PARA.3.10 & 4.9.6
ELECTRICAL LIFE AT FULL RATED LOAD	20,000 CYCLES MIN PER MIL-S-5594 PARA.3.11 & 4.9.7

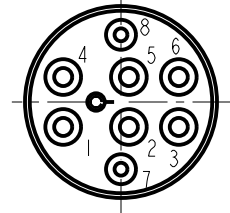
ENVIRONMENTAL:

TEMPERATURE RANGE	-85°F (-65°C) TO +160°F (+71°C)
ALTITUDE RANGE	SEA LEVEL TO 65,000 FT
SHOCK	PER MIL-S-5594 PARA. 3.14 & 4.9.10
VIBRATION	PER MIL-S-5594 PARA. 3.13 & 4.9.9
MOISTURE RESISTANCE	PER MIL-S-5594 PARA. 3.17 & 4.9.13
ACCELERATION	PER MIL-S-5594 PARA. 3.15 & 4.9.11
SALT SPRAY	PER MIL-S-5594 PARA. 3.16 & 4.9.12
SAND AND DUST	PER MIL-S-5594 PARA. 3.18 & 4.9.14
EXPLOSION	PER MIL-S-5594 PARA. 3.19 & 4.9.15

THIRD ANGLE PROJECTION	
SCALE	FULL
DO NOT SCALE PRINT	
UNLESS OTHERWISE SPECIFIED TOLERANCES ARE	
NO PLACE	(0) ±1
ONE PLACE	(0.0) ±0.4
TWO PLACE	(0.00) ±0.15
ANGLES	±
WEIGHT	



- NOTES
- 1 - CIRCUITS CAN BE TRANSFERRED MANUALLY. ENERGIZING THE COIL WILL NOT CAUSE TRANSFER OF CIRCUITS
 - 2 - HOLD IN VOLTAGE: THE MINIMUM SPECIFIED VOLTAGE AT WHICH THE LEVER WILL REMAIN ACTUATED. HOLD IN MAY OCCUR AT A LOWER VALUE. DROP OUT VOLTAGE: THE VOLTAGE RANGE IN WHICH THE LEVER WILL BE RELEASED CONTACT HONEYWELL-MICRO SWITCH IF ADDITIONAL INFORMATION ON LOW ENERGY LOADS IS REQUIRED OR FOR HELP WITH SPECIFIC APPLICATIONS
 - 3 - SWITCH LABEL TO SHOW: MICRO SWITCH, FEDERAL MANUFACTURING CODE, CATALOG LISTING, CIRCUIT DIAGRAM AND DATE CODE
 - 4 - HARDWARE FURNISHED UNASSEMBLED PER MIL-S-5594
 - 5 - SWITCHES DO NOT NECESSARILY OPERATE SIMULTANEOUSLY
 - 6 - FORCE TO BE APPLIED AT THIS POINT
 - 7 - THE DIODES ARE JANTXV TYPE AND LIMIT THE EMI SPIKES (TRANSIENTS OF DURATION LESS THAN 500 MICROSECONDS) GENERATED BY THE SWITCH
 - 8 - COIL SHALL NOT EXCEED +42 OR -40 VOLTS ABSOLUTE
 - 9 - LEVER PROVIDED UNASSEMBLED



CATALOG LISTING 26ET33-T
 PAGE 1 OF 1
 ISSUE 5
 REVISIONS
 A 205955
 C S L 10 JUL 02
 CHECK S A V 10 JUL 02
 CHECK S A V 10 JUL 02
 PTC/CAD 2D
 DRAWN
 C S L 10 JUL 02
 RELEASE NO. PR-22256-T
 REPLACES -

ANSI Y14.5M-1982 APPLIES