

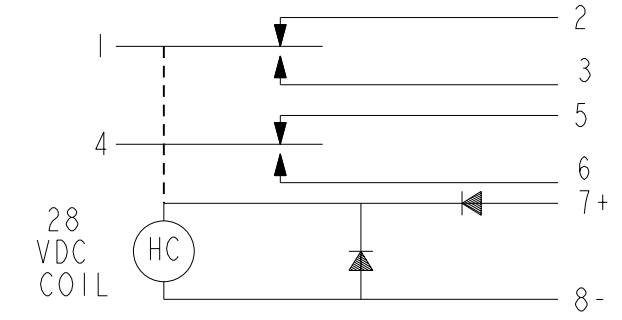
**MICROSWITCH**  
a Honeywell Division

FED. MFG. CODE 91929

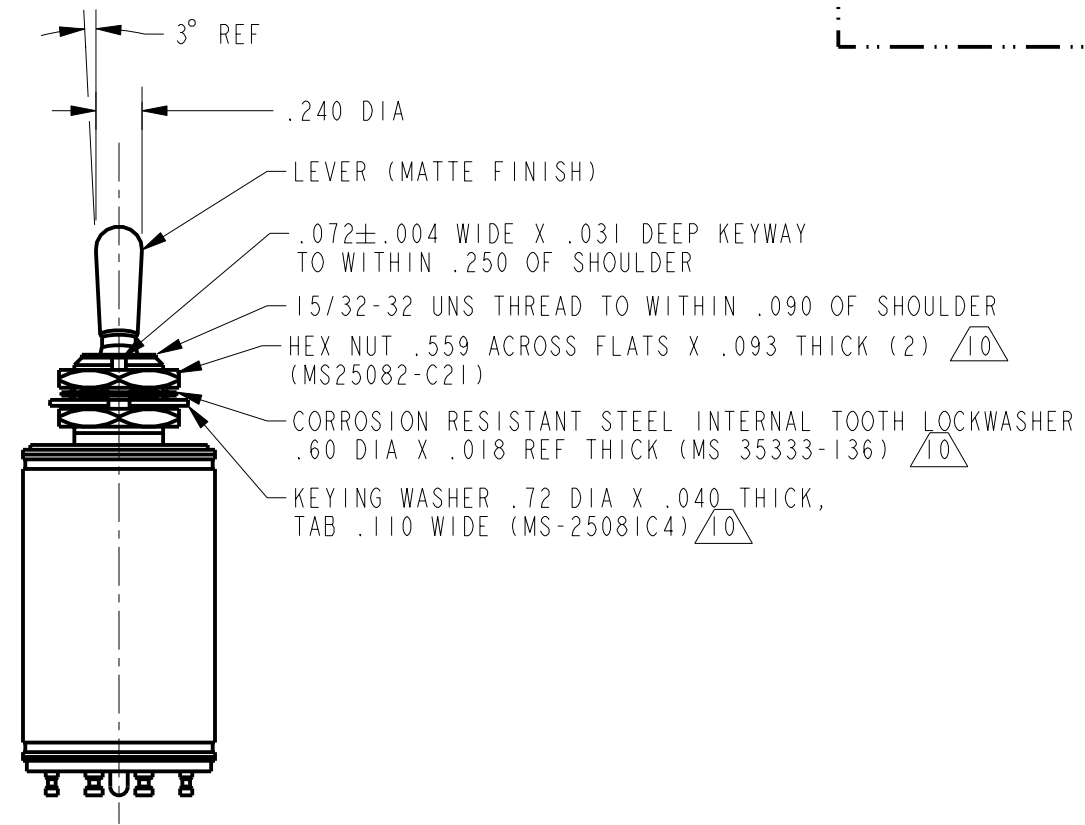
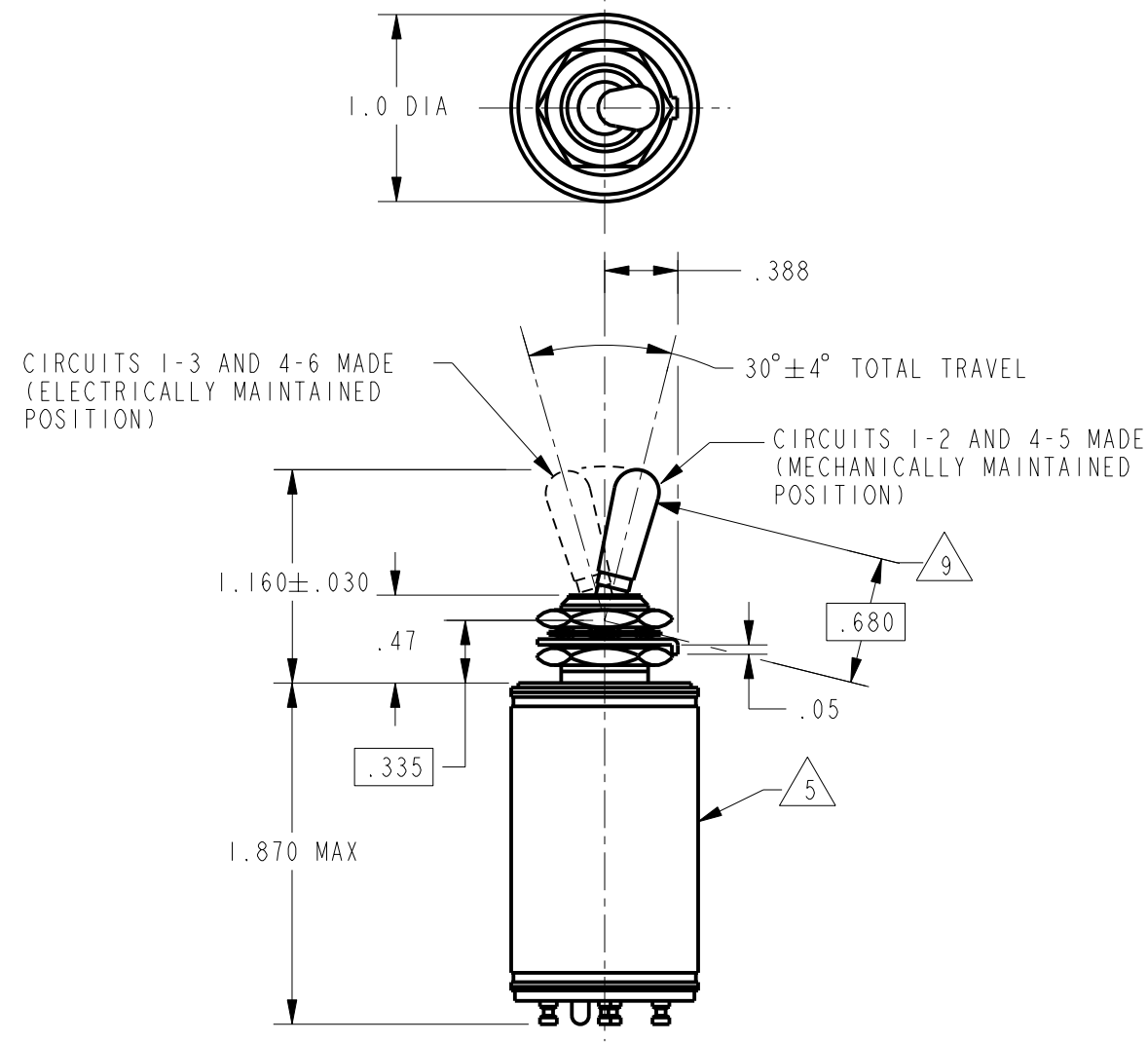
**SWITCH - TOGGLE  
(MAGNETIC HOLD-IN)**

CATALOG LISTING

**26ET32-T**



CIRCUIT DIAGRAM  
(MECHANICALLY MAINTAINED POSITION)

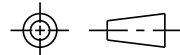


NOTES

- 1 - EXPOSED PARTS ARE OF CORROSION RESISTANT MATERIAL OR ARE SUITABLY PROTECTED TO PREVENT CORROSION, ENCLOSURE FINISHED WITH BLUE EPOXY BASED ENAMEL COLOR NO. 25184 PER FEDERAL STANDARD 595
- 2 - SWITCH SEALED PER MIL-S-5594
- 3 - HOLD IN VOLTAGE: THE MINIMUM SPECIFIED VOLTAGE AT WHICH THE LEVER WILL REMAIN ACTUATED. HOLD IN MAY OCCUR AT A LOWER VALUE. DROP OUT VOLTAGE: THE VOLTAGE RANGE IN WHICH THE LEVER WILL BE RELEASED
- 4 - CIRCUITS CAN BE TRANSFERRED MANUALLY. ENERGIZING THE COIL WILL NOT CAUSE TRANSFER OF CIRCUITS
- 5 - CIRCUIT IDENTIFICATION IS SHOWN ON SWITCH
- 6 - SWITCHES DO NOT NECESSARILY OPERATE SIMULTANEOUSLY
- 7 - WEIGHT OF SWITCH ONLY IS 4.0 OZ MAX
- 8 - THE DIODES ARE JANTXV TYPE AND LIMIT THE EMI SPIKES (TRANSIENTS OF DURATION LESS THAN 500 MICROSECONDS) GENERATED BY THE SWITCH COIL SHALL NOT EXCEED +42 VOLTS OR -40 VOLTS ABSOLUTE
- 9 - FORCE TO BE APPLIED AT THIS POINT IN A DIRECTION PERPENDICULAR TO THE LEVER LONGITUDINAL AXIS
- 10 - HARDWARE MAY BE FURNISHED UNASSEMBLED PER MIL-S-5594

THIS DRAWING COVERS A PROPRIETARY ITEM AND IS THE PROPERTY OF MICRO SWITCH, A DIVISION OF HONEYWELL. THIS DRAWING IS NOT TO BE COPIED OR USED WITHOUT THE APPROVAL OF MICRO SWITCH

THIRD ANGLE PROJECTION



CHARACTERISTICS	ELECTRICAL DATA
SOLENOID RATING AT 20°C	CONTACT ARRANGEMENT SPDT (2)
STEADY STATE LIMITS ----- 20-30 VDC	RATINGS IN AMPERES
HOLD IN ----- 10 VDC	
DROP OUT ----- 1.5-10 VDC	VOLTAGE
OVERRIDE FORCE AT 29 VDC ----- 10 LB MAX	SEA LEVEL
OPERATING FORCE ----- 7 LBS MAX	65,000 FT
COIL RESISTANCE ----- 220 OHM MIN	28 VOLTS DC

VOLTAGE	RATINGS IN AMPERES							
	SEA LEVEL		65,000 FT					
	INRUSH	RES	IND	MOTOR	INRUSH	RES	IND	MOTOR
28 VOLTS DC	4	2.5	4		4	2.0	4	

SCALE	DO NOT SCALE PRINT
FULL	UNLESS OTHERWISE SPECIFIED TOLERANCES ARE
	ONE PLACE (.0) ±.030
	TWO PLACE (.00) ±.015
	THREE PLACE (.000) ±.005
	ANGLES ±
WEIGHT	

ANSI Y14.5M-1982 APPLIES

PTC/CAD 2D  
 DRAWN  
 C S L 10 JUL 02  
 CHECK  
 S A V 10 JUL 02  
 CHECK  
 REVISIONS  
 A 205955  
 C S L  
 10 JUL 02  
 CHECK  
 ISSUE  
 5  
 M  
 CATALOG LISTING  
 26ET32-T  
 PAGE 1 OF 1  
 RELEASE NO. PR-14042  
 REPLACES -