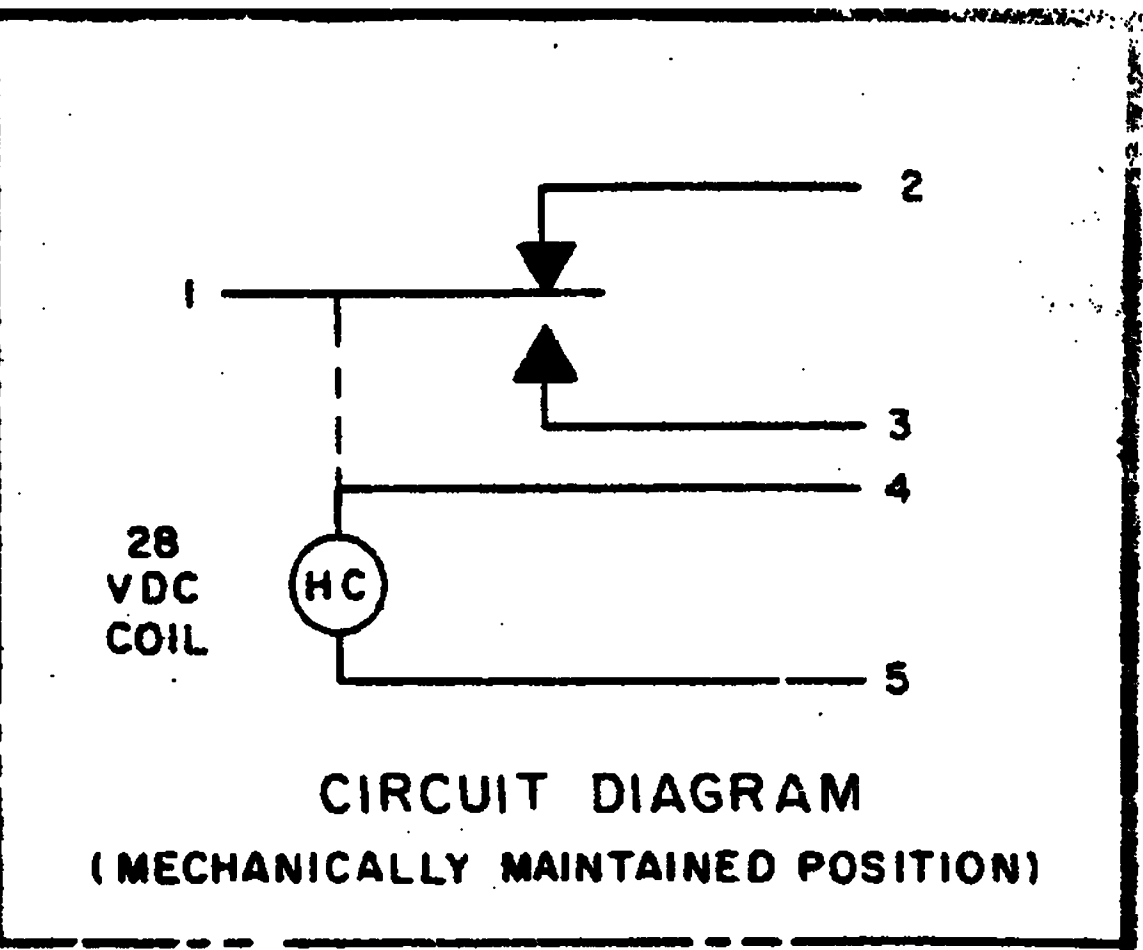


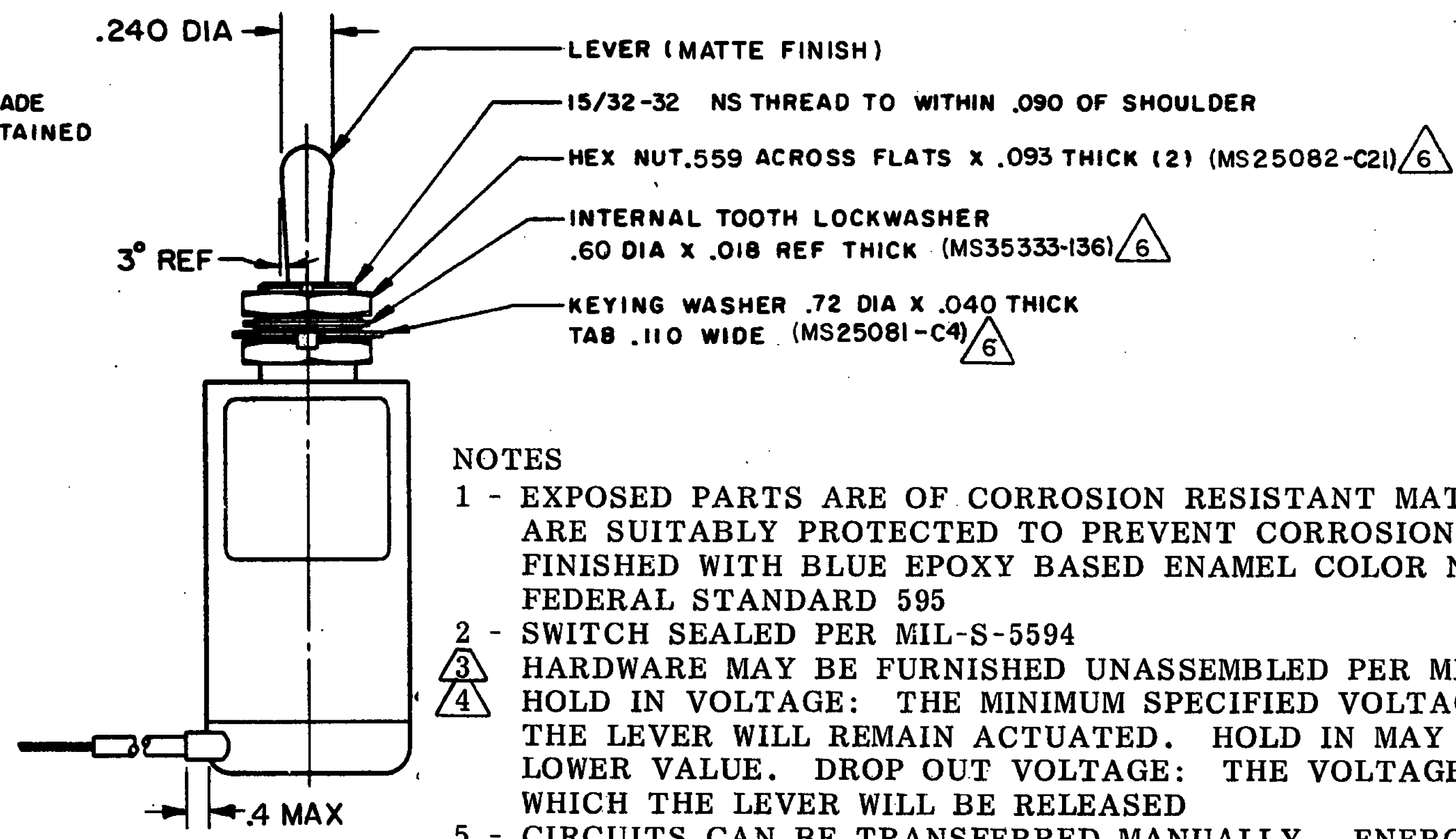
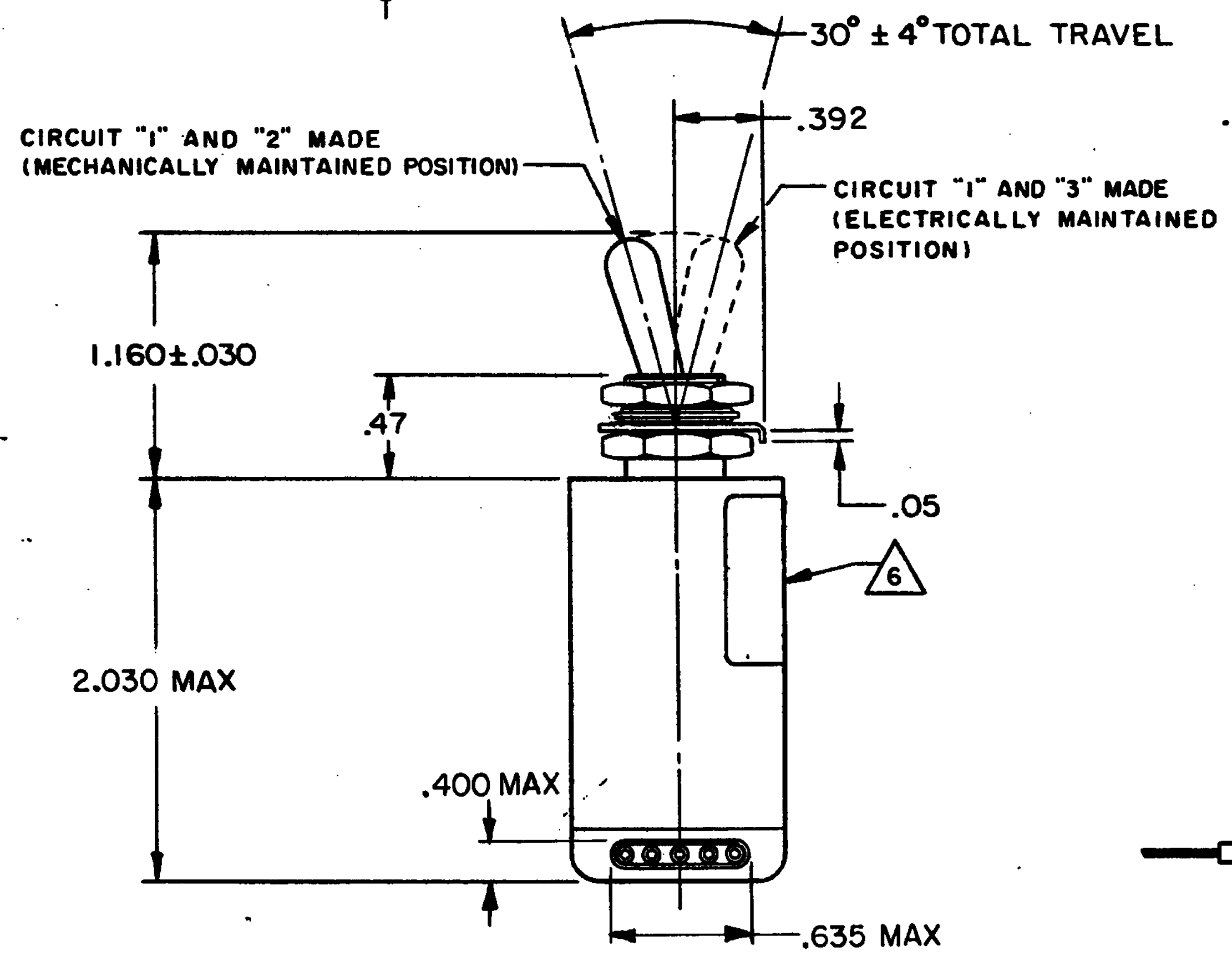
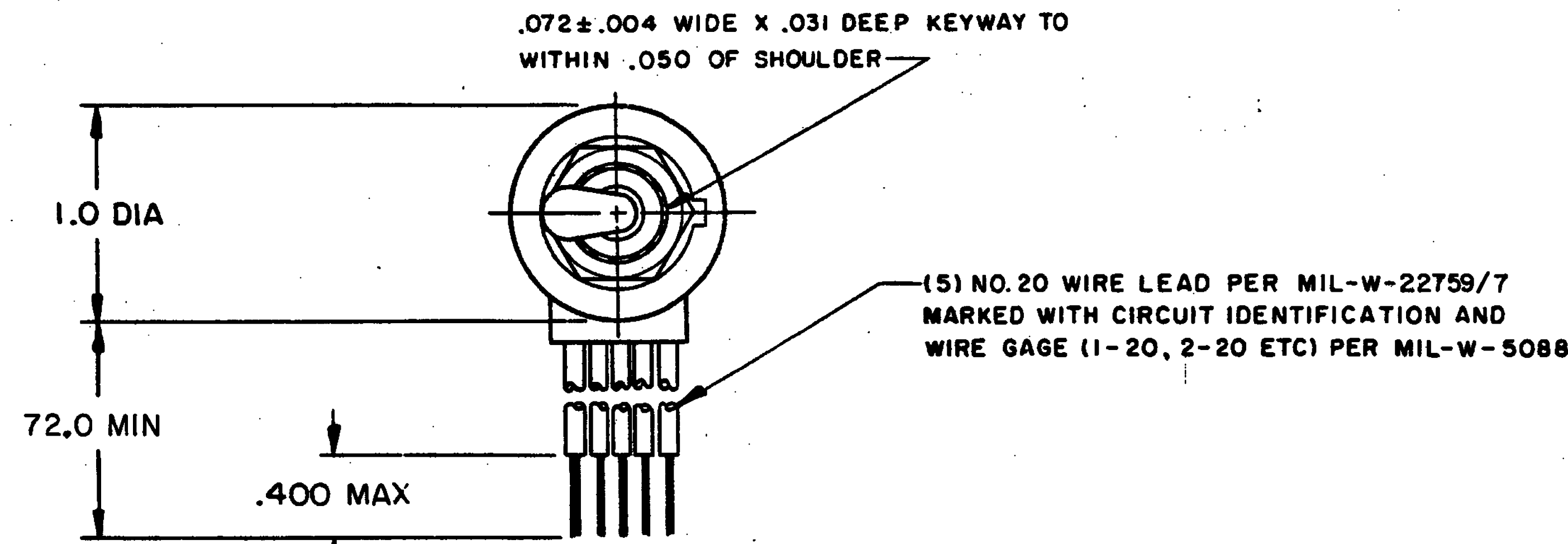
MICRO SWITCH
A DIVISION OF MINNEAPOLIS-HONEYWELL REGULATOR COMPANY
PROSPERITY, ILLINOIS

**SWITCH - TOGGLE
(MAGNETIC HOLD-IN)**

CATALOG LISTING
25ET76-6



25ET76-6
 DRAWING NUMBER
 ISSUE 11
 REVISIONS
 A PR-6385
 B CO 44768
 C CO 44540
 D CO 45291
 E CO 49806
 F CO 53402
 G CO 58902IA
 H CO 75787-E
 J 0007597
 K 0040079
 MPH 03JUN08
 J AL 11 APR 77
 CHECK C E B
 DRAWN
 PO-80378-003



- NOTES**
- 1 - EXPOSED PARTS ARE OF CORROSION RESISTANT MATERIAL OR ARE SUITABLY PROTECTED TO PREVENT CORROSION. ENCLOSURE FINISHED WITH BLUE EPOXY BASED ENAMEL COLOR NO. 25184 PER FEDERAL STANDARD 595
 - 2 - SWITCH SEALED PER MIL-S-5594
 - 3 - HARDWARE MAY BE FURNISHED UNASSEMBLED PER MIL-S-5594
 - 4 - HOLD IN VOLTAGE: THE MINIMUM SPECIFIED VOLTAGE AT WHICH THE LEVER WILL REMAIN ACTUATED. HOLD IN MAY OCCUR AT A LOWER VALUE. DROP OUT VOLTAGE: THE VOLTAGE RANGE IN WHICH THE LEVER WILL BE RELEASED
 - 5 - CIRCUITS CAN BE TRANSFERRED MANUALLY. ENERGIZING THE COIL WILL NOT CAUSE TRANSFER OF CIRCUITS
 - 6 - CIRCUIT IDENTIFICATION IS SHOWN ON SWITCH

THIS DRAWING COVERS A PROPRIETARY ITEM AND IS THE PROPERTY OF MICRO SWITCH, A DIVISION OF MINNEAPOLIS-HONEYWELL REGULATOR CO. THIS DRAWING IS NOT TO BE COPIED OR USED WITHOUT THE APPROVAL OF MICRO SWITCH.

CHARACTERISTICS	ELECTRICAL DATA	SCALE FULL	
SOLENOID RATING AT 20° C STEADY STATE LIMITS ----- 20-30 VDC HOLD IN ----- 10 VDC DROP OUT ----- 1.5-10 VDC COIL RESISTANCE ----- 220 OHM MIN OPERATING FORCE ----- 7 LBS MAX OVERRIDE FORCE AT 30 VDC ----- 10 LBS MAX	CONTACT ARRANGEMENT S P D T	DO NOT SCALE PRINT UNLESS OTHERWISE SPECIFIED DIMENSIONS ARE IN INCHES TOLERANCES ARE:	
	RATING IN AMPERES VOLTAGE SEA LEVEL 65,000 FT	ONE PLACE (.0) ±.030 TWO PLACE (.00) ±.018 THREE PLACE (.000) ±.008 ANGLES ±	WEIGHT 8.5 OZ MAX
	28 VOLTS DC INRUSH RES IND MOTOR INRUSH RES IND MOTOR 4 3 4 4 2.5 4		