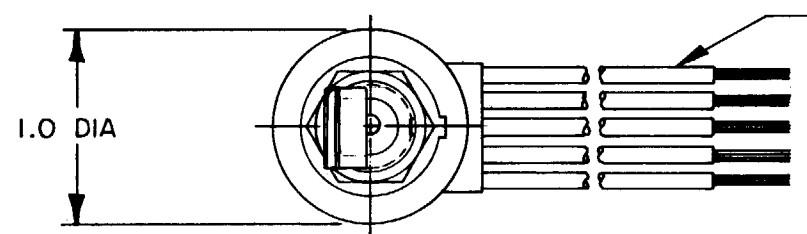
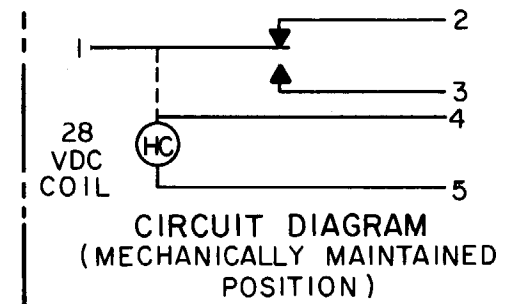


MICRO SWITCH
 FREEPORT ILLINOIS U.S.A.
 A DIVISION OF HONEYWELL
 FED. MFG. CODE 91929

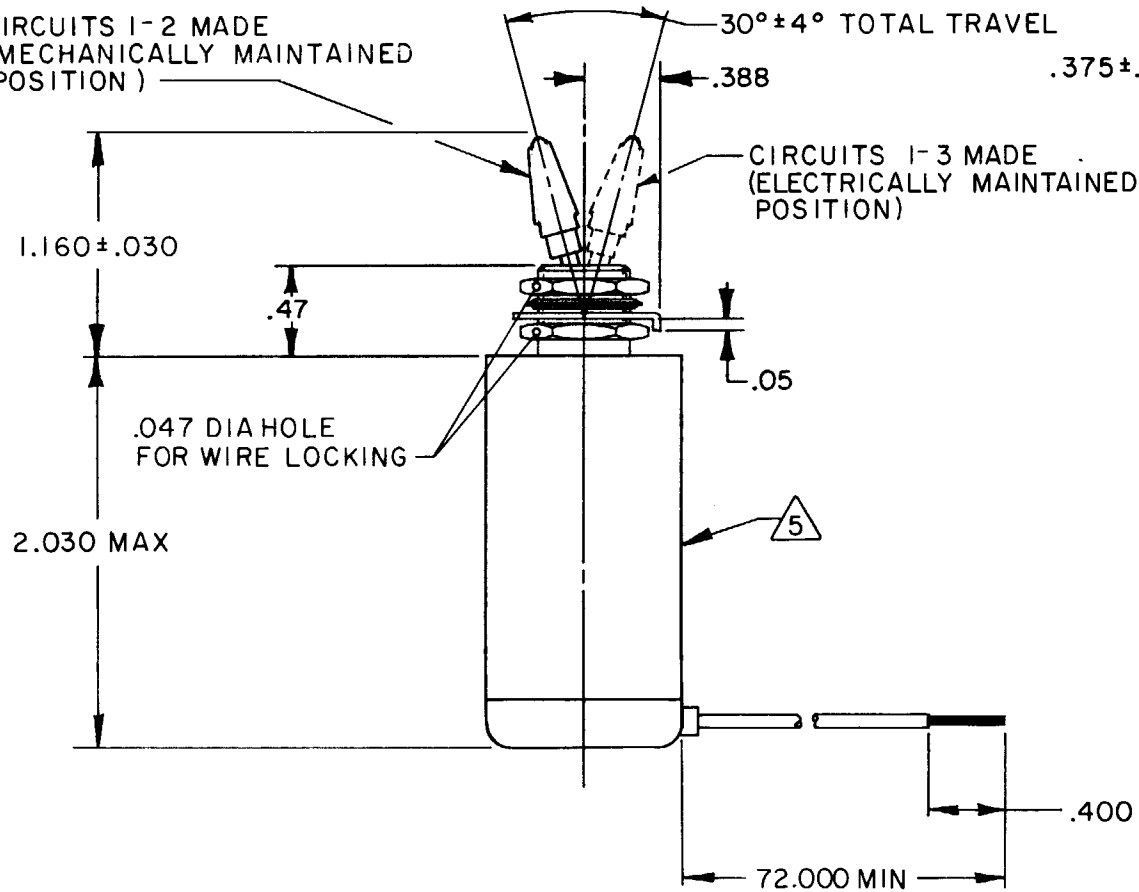
**SWITCH - TOGGLE
 (MAGNETIC HOLD-IN)**

CATALOG LISTING
25ET62-6
 MILITARY STDS. PART NO
 M5594/1-4



NO. 20 WIRE LEAD PER MIL-W-22759/7
 MARKED WITH CIRCUIT IDENTIFICATION
 AND WIRE GAUGE (1-20, 2-20, ETC)
 PER MIL-W-5088

CIRCUITS 1-2 MADE
 (MECHANICALLY MAINTAINED
 POSITION)



- PADDLE LEVER
 (ANODIZED ALUMINUM- LUSTERLESS FINISH)
- .072±.004 WIDE X .031 DEEP KEYWAY
 TO WITHIN .250 OF SHOULDER
- 15/32-32 UNS THREAD TO WITHIN
 .090 OF SHOULDER
- HEX NUT, .62 ACROSS FLATS ⁶
 X .125 THICK (2)
- INTERNAL TOOTH LOCKWASHER,
 .59 DIA X .018 REF THICK (MS35333-136) ⁶
- KEYING WASHER, .72 DIA X .031
 THICK, TAB .110 WIDE ⁶

- NOTES**
- 1 - EXPOSED PARTS ARE OF CORROSION RESISTANT MATERIAL OR ARE SUITABLY PROTECTED TO PREVENT CORROSION ENCLOSURE FINISHED WITH BLUE EPOXY BASED ENAMEL COLOR NO. 25184 PER FEDERAL STANDARD 595
 - 2 - SWITCH SEALED PER MIL-S-5594
 - ³ HOLD IN VOLTAGE: THE MINIMUM SPECIFIED VOLTAGE AT WHICH THE LEVER WILL REMAIN ACTUATED: HOLD IN MAY OCCUR AT A LOWER VALUE. DROP OUT VOLTAGE THE VOLTAGE RANGE IN WHICH THE LEVER WILL BE RELEASED
 - 4 - CIRCUITS CAN BE TRANSFERRED MANUALLY. ENERGIZING THE COIL WILL NOT CAUSE TRANSFER OF CIRCUITS
 - ⁵ CIRCUIT IDENTIFICATION IS SHOWN ON SWITCH
 - ⁶ HARDWARE MAY BE FURNISHED UNASSEMBLED PER MIL-S-5594

FORMTEK
 PO-82881-B
 DRAWN
 K A G 9 SEP 82
 CHECK
 C E B 9 SEPT 82
 CHECK
 9 SEPT 82
 ISSUE
 X 5
 DRAWING NUMBER
 M
 25ET62-6
 REPLACES
 PR-11512
 RELEASE NO.

THIS DRAWING COVERS A PROPRIETARY ITEM AND IS THE PROPERTY OF MICRO SWITCH, A DIVISION OF HONEYWELL. THIS DRAWING IS NOT TO BE COPIED OR USED WITHOUT THE APPROVAL OF MICRO SWITCH.

CHARACTERISTICS ³		ELECTRICAL DATA							
SOLENOID RATING AT 20° C		CONTACT ARRANGEMENT S P D T							
STEADY STATE LIMITS ----- 20-30 VDC		RATING IN AMPERES							
HOLD IN ----- 10 VDC		SEA LEVEL 65,000 FT							
DROP OUT ----- 0-10 VDC		VOLTAGE		RES IND MOTOR					
COIL RESISTANCE AT 30 VDC -- 220 OHM MIN		28 VOLTS DC		4	3	4	4	2.5	4
OPERATING FORCE AT 30 VDC -- 7 LBS MAX									
OVERRIDE FORCE AT 30 VDC -- 10 LBS MAX									

SCALE FULL			
DO NOT SCALE PRINT			
TOLERANCES APPLY TO DESIGN UNITS. CONVERSIONS ARE ONLY FOR REFERENCE. UNLESS NOTED, TOLERANCES ARE ³			
DIM. IN	TOL. IN	DIM. MM	TOL. MM
NO PLACES	X	1/104	X X
ONE PLACE	X, X	0.01/016	X X X
TWO PLACES	X, X, X	0.15/006	X X X X
THREE PLACES	X, X, X, X		X X X X X
ANGLES			
DESIGN UNITS		SI METRIC <input type="checkbox"/>	
		US CUSTOMARY <input checked="" type="checkbox"/>	
THIRD ANGLE PROJECTION			
WEIGHT 8.5 OZ MAX			