

**MICRO SWITCH**  
 FREEPORT, ILLINOIS, U.S.A.  
 A DIVISION OF HONEYWELL  
 FED. MFG. CODE 91929

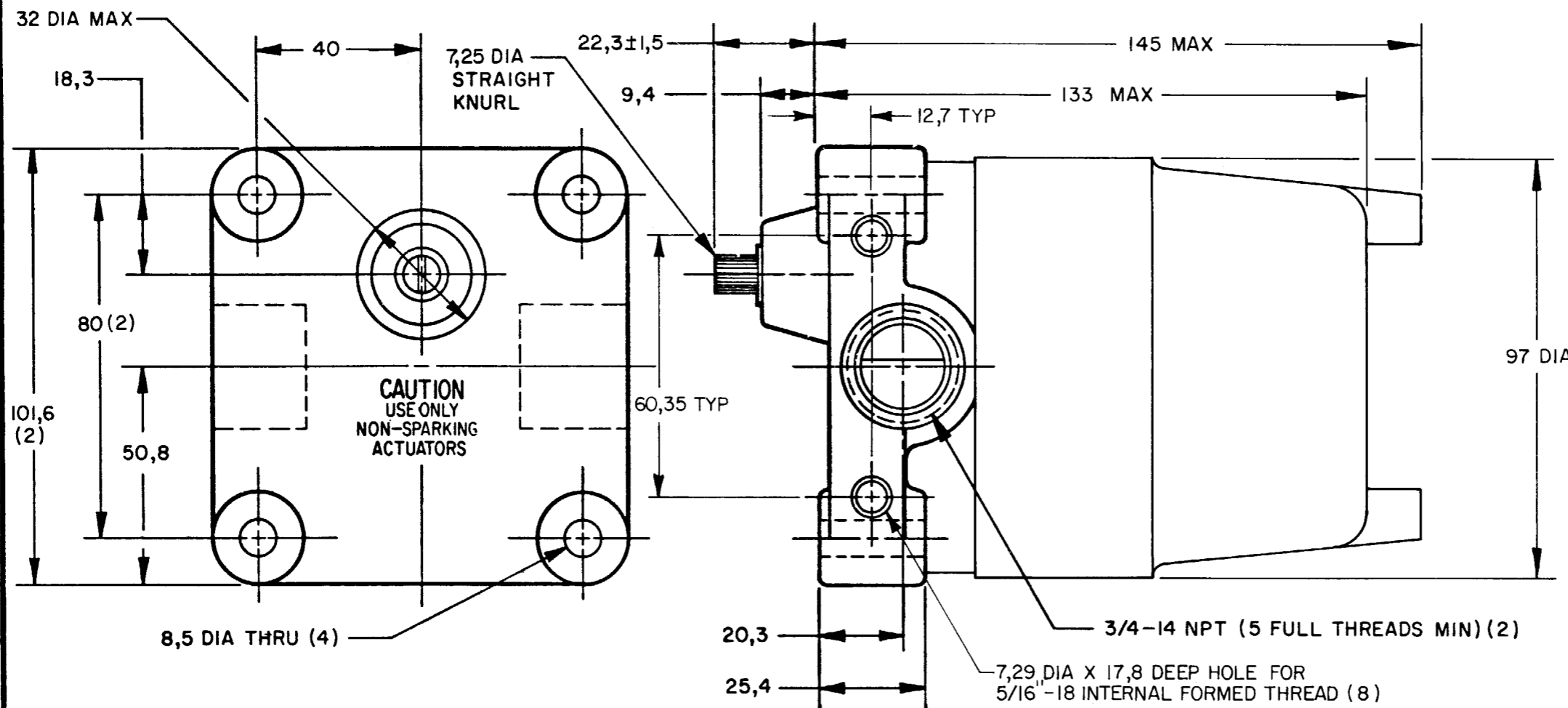
**SWITCH-ENCLOSED**

CATALOG LISTING  
**24CX SERIES**  
**CHART 2**

CONVERSION CHART

4,75	.187
7,25	.285
7,29	.287
8,5	.33
9,4	.37
12,7	.50
17,8	.70
18,3	.72
20,3	.80
22,3±1,5	.880±.059
25,4	1.00
32,0	1.26
40,0	1.57
50,8	2.00
60,35	2.38
80,0	3.15
97,0	3.82
101,6	4.00
133,0	5.24
145,0	5.71
0,5 Nm	.3 PF
1,25 Kg	2.75 LB

**24CX SERIES**  
**CHART 2**  
**M**  
 DRAWING NUMBER  
 ISSUE **10**  
 RELEASE NO. **6965-T**



- NOTES**
- 1 - EXPLOSION PROOF-UNDERWRITERS LAB INC LISTING FOR HAZARDOUS LOCATIONS CLASS I, GROUPS B,C AND D; CLASS II, GROUPS E, F AND G
  - 2 - ALUMINUM ENCLOSURE FINISHED WITH BLUE AND BLACK EPOXY PAINT
  - 3 - 6-32 UNC X 4,75 REF PAN HEAD TERMINAL SCREW (6 PER BASIC)
  - 4 - CAMS MAY BE REPOSITIONED IN 7°20' INCREMENTS
  - 5 - FOR USE IN TEMPERATURES UP TO 85°C
  - 6  $\triangle$  UNIT PROVIDES NO SHAFT RESTORING FORCE, THE ACTUATING DEVICE MUST CONTROL MOVEMENT OF SHAFT
  - 7  $\triangle$  SEE (M) 7CX CHARTS 1 & 2 FOR LEVER ACTUATORS

REVISIONS  
 A C082481 JAK 27 FEB 96  
 B PR 22928 CSL 15 SEP 97  
 C 201884 JAH 12 DEC 00  
 CHECK 17 FEB 78  
 CHECK 17 FEB 78  
 CHECK 16 FEB 78  
 DRAWN WLW  
 RASTER

THIS DRAWING COVERS A PROPRIETARY ITEM AND IS THE PROPERTY OF MICRO SWITCH, A DIVISION OF HONEYWELL. THIS DRAWING IS NOT TO BE COPIED OR USED WITHOUT THE APPROVAL OF MICRO SWITCH.

CHARACTERISTICS	
OPERATING FORCE	0,5 Nm MAX
PRETRAVEL	30° MAX
DIFFERENTIAL TRAVEL	25° MAX
OVERTRAVEL	75° MIN

THIRD ANGLE PROJECTION

CONTACT ARRANGEMENT  
**D P D T**  
 (EACH BASIC)

SCALE 3/4 TO 1

DO NOT SCALE PRINT

TOLERANCES  
 APPLY TO DESIGN UNITS. CONVERSIONS ARE ONLY FOR REFERENCE. UNLESS NOTED, TOLERANCES ARE ±

DIM.	TOL.	DIM.	TOL.
mm	mm/in	in	mm/in
NO PLACES	X	1/64	
ONE PLACE	X,X	0,4/018	X,X 0,8/03
TWO PLACES	X,XX	0,15/008	X,XX 0,38/015
THREE PLACES	X,XXX		X,XXX 0,13/005

DESIGN UNITS  SI METRIC  US CUSTOMARY

RAW MATERIAL-COMMERCIAL STANDARD  
 MICRO SWITCH STANDARDS APPLY  
 DIMENSIONS ARE TO BE MET BEFORE  
 PROTECTIVE COATINGS ARE APPLIED

WEIGHT 1,25 Kg APPROX

CAT LIST $\triangle$	DESCRIPTION $\triangle$	ELECTRICAL DATA
24CX12-	2 BASICS; EACH OPERATES CW & CCW	UL LISTED-FILE E14274 CODE L59 10A-125 OR 250 VAC 0.3A-125 VDC; 0.15A-250 VDC 
24CX13-	3 BASICS; EACH OPERATES CW & CCW	
$\textcircled{C}$	2 BASICS; EACH OPERATES CW & CCW	