

Honeywell

SMALL PRECISION POSITIVE
BREAK LIMIT SWITCH

CATALOGUE LISTING

(M)24CE SERIES
CHART 1

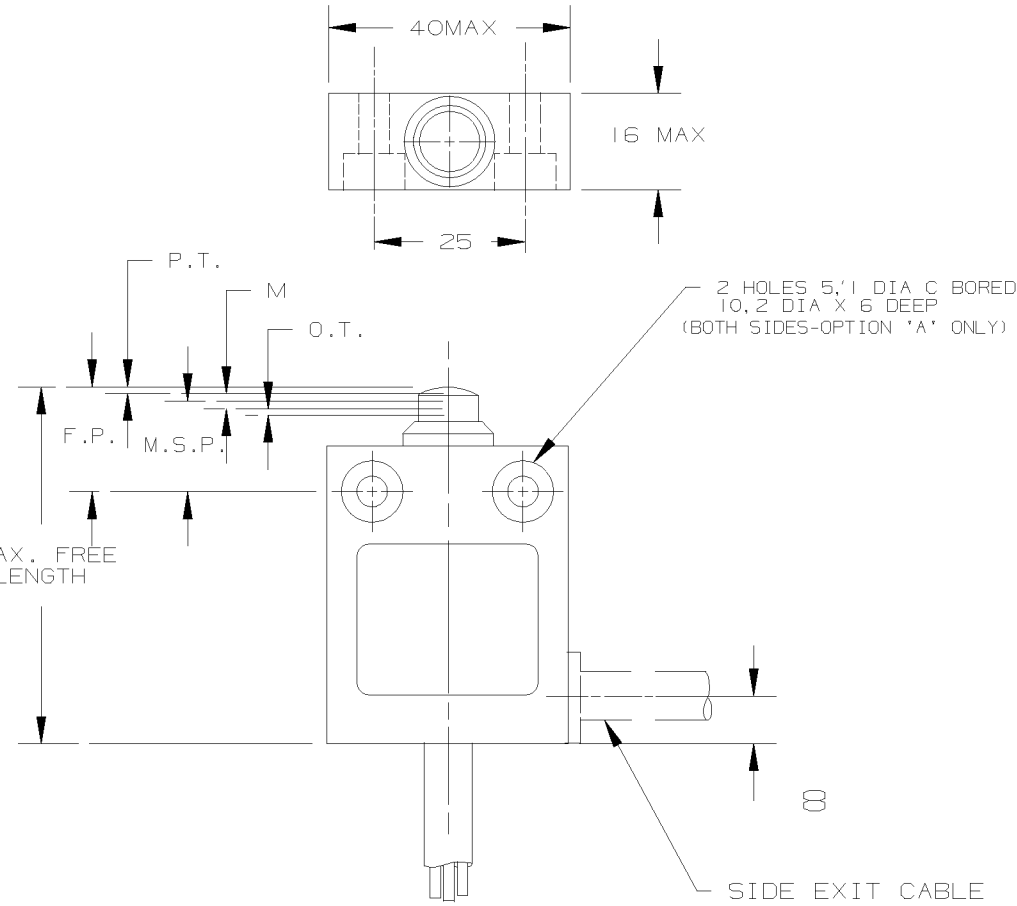
(M)24CE SERIES
CHART 1

REPLACES

M

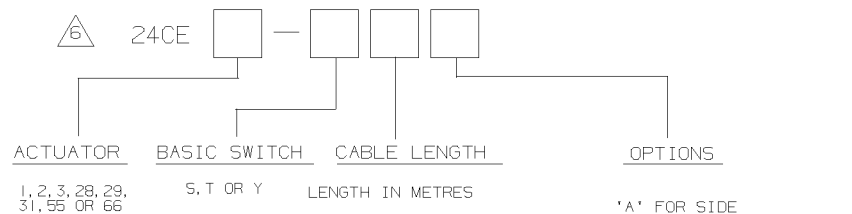
RELEASE NUMBER

ISSUE 13



ISSUE	MAX FREE LENGTH	FREE POS'N (F.P.)	OPERATING		MAX SAFE POS'N (M.S.P.)	OVER-TRAVEL MIN (O.T.)	MAKE TO BREAK DIST (M)	BREAK TO MAKE DIST (M)	P.T. MAX (P.T.)	SWITCH TYPE
			KGF	NEWTONS						
6	59	17.1±0.4	2.3	22.5	13.1	1		2±0.5	2.2	24CE1-S
						0.5	0.7±0.5	4	24CE1-T	
					13.1			2.2	24CE1-Y	
6	72	29.9±0.4	2.3	22.5	25.9	1		2±0.5	2.2	24CE2-S
						0.5	0.7±0.5	4	24CE2-T	
					25.9			2.2	24CE2-Y	
6	72	29.9±0.4	2.3	22.5	25.9	1		2±0.5	2.2	24CE3-S
						0.5	0.7±0.5	4	24CE3-T	
					25.9			2.2	24CE3-Y	
6	86	43.9±0.4	2.3	22.5	39.9	1		2±0.5	2.2	24CE28-S
						0.5	0.7±0.5	4	24CE28-T	
					39.9			2.2	24CE28-Y	
6	86	43.9±0.4	2.3	22.5	39.9	1		2±0.5	2.2	24CE29-S
						0.5	0.7±0.5	4	24CE29-T	
					39.9			2.2	24CE29-Y	
6	78	35.7±0.4	2.6	25.5	31.7	1		2±0.5	2.2	24CE31-S
						0.5	0.7±0.5	4	24CE31-T	
					31.7			2.2	24CE31-Y	
6	78	35.7±0.4	2.6	25.5	31.7	1		2±0.5	2.2	24CE55-S
						0.5	0.7±0.5	4	24CE55-T	
					31.7			2.2	24CE55-Y	
6	75	32.0±0.4	2.6	25.5	28.0	1		2±0.5	2.2	24CE66-S
						0.5	0.7±0.5	4	24CE66-T	
					28.0			2.2	24CE66-Y	

CATALOGUE LISTING COVENTION

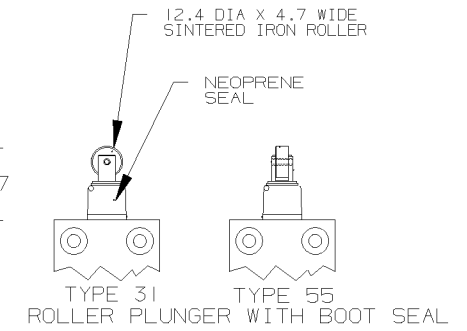
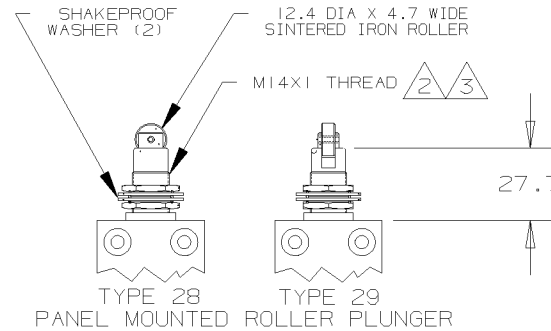
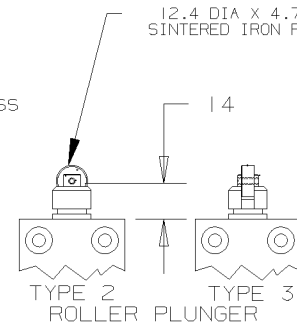
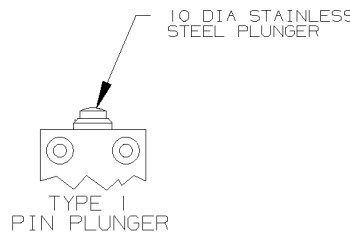
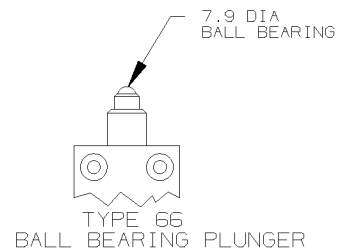


NOTE

- 1 : DIE CAST HOUSING FINISHED IN RED PAINT
- 2 : SWITCH MOUNTS THROUGH A 14.5 DIA HOLE
- 3 : MAXIMUM PANEL THICKNESS = 4.2
- 4 : THE MINIMUM PLUNGER TRAVEL PAST BREAK FOR SAFE CONTACT GAP IS 1.5mm (S & Y ONLY)
- 5 : TEMPERATURE RANGE : —
STANDARD CONSTRUCTION : 0 C° TO +70 C°
LOW TEMP. CONSTRUCTION : -40 C° TO +70 C°
- 6 : ALL LOGICAL LISTINGS ARE IEC 947-5-1 APPROVED.
- 7 : LISTINGS CAN BE SUFFIXED WITH R.S (e.g 24CE31-YIRS)

5

- *A* FOR SIDE CABLE EXIT
- *B* FOR LOW TEMP. CONSTRUCTION
- *C* FOR SIDE CABLE EXIT AND LOW TEMP. CONSTRUCTION
- *D* HALOGEN FREE CABLE
- *G* GOLD PLATED CONTACTS
- *M* P.U.R. CABLE.



CIRCUIT TYPE		ELECTRICAL RATING	CIRCUIT DIAGRAM	CABLE
S	BREAK BEFORE MAKE	250VAC		5 x 0.75MM ² HARMONISED CENELEC CABLE
T	MAKE BEFORE BREAK	5A (NC) 1A (NO)		
Y	SINGLE THROW NORMALLY CLOSED	250VAC 5A (NC)		3 x 0.75MM ² HARMONISED CENELEC CABLE

DRAWN RFS 7.10.82

THE COPYRIGHT OF THIS DRAWING IS THE PROPERTY OF HONEYWELL LTD. THE DRAWING IS SUPPLIED IN CONFIDENCE AND MUST NOT BE USED FOR ANY PURPOSE OTHER THAN THAT FOR WHICH IT IS SUPPLIED.

THIRD ANGLE PROJECTION

