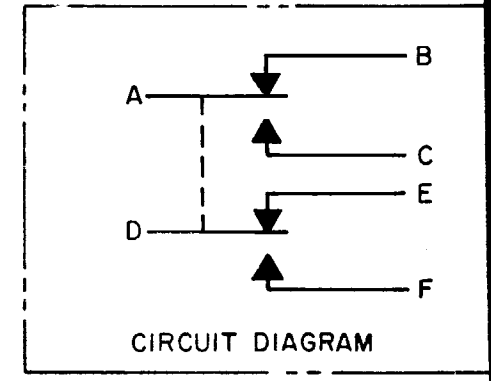
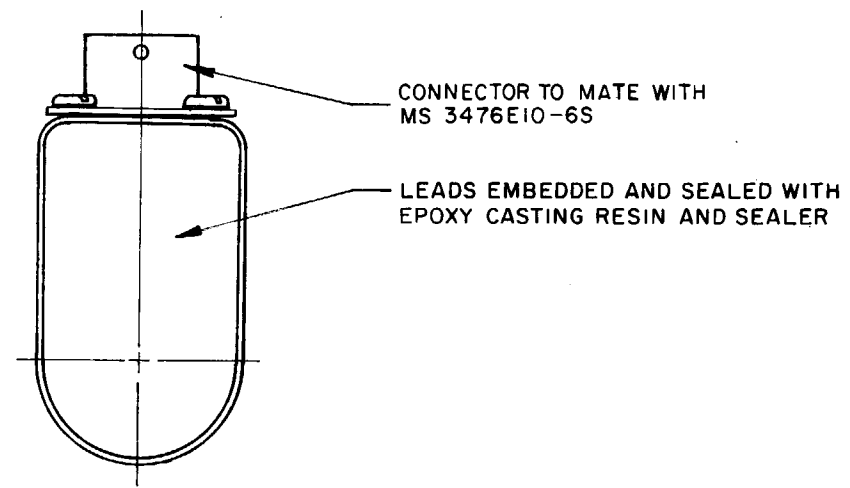
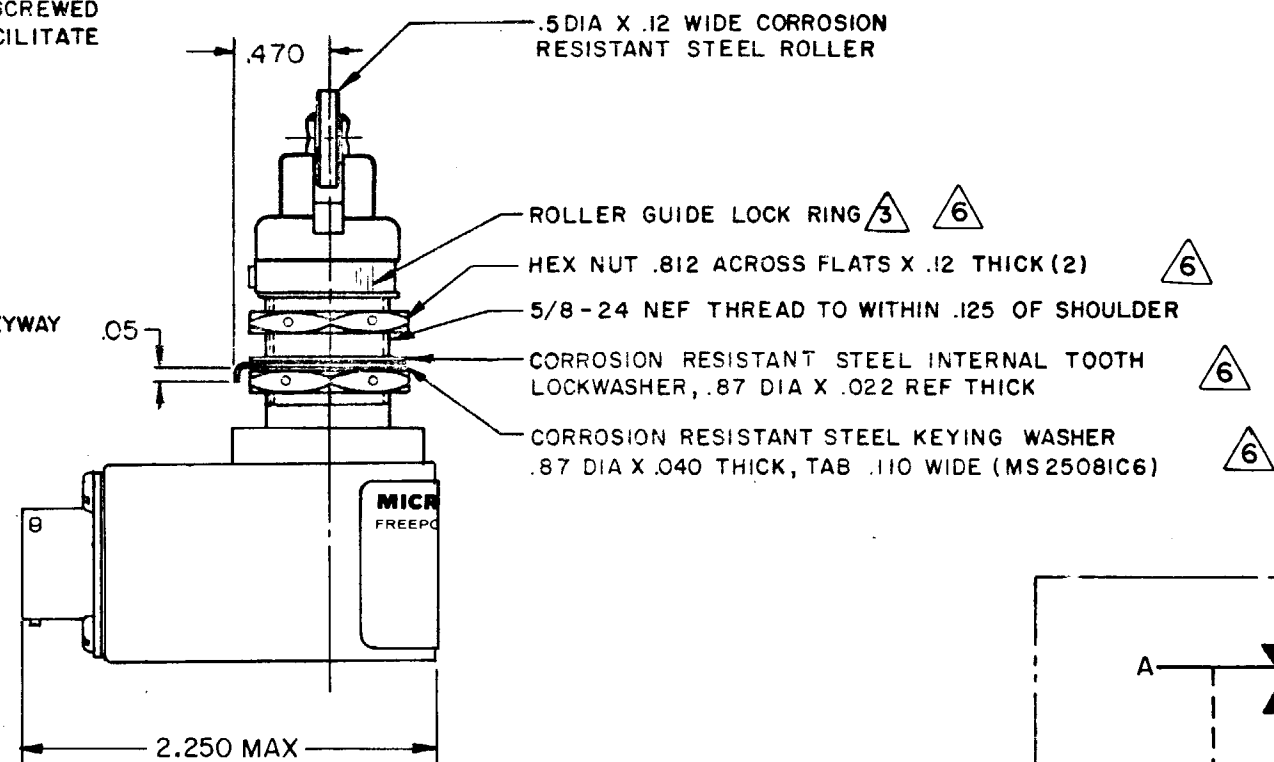
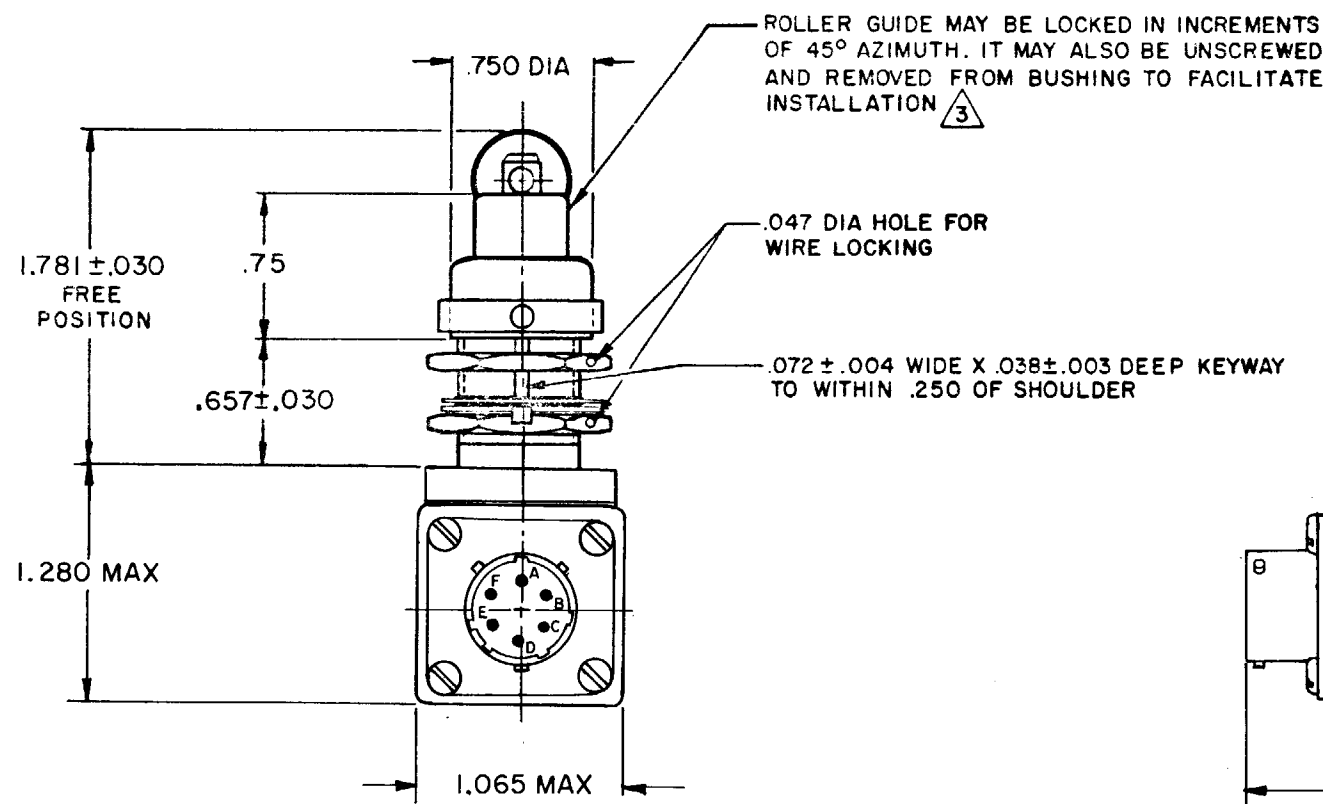


21HE23-R  
 DRAWING NUMBER  
 ISSUE  
 REVISIONS  
 A PR 4134  
 R E R  
 24 MAY 74  
 B CO 35243  
 D B W  
 6 MAY 75  
 C CO 35834  
 K P K  
 22 JUL 75  
 D CO 35858  
 D J W  
 26 AUG 75  
 E CO 44351  
 S J B  
 28 NOV 78  
 F CO 47573  
 T S M  
 16 JULY 80  
 G CO 48605  
 K A G  
 18 MAR 81  
 H CO 68501  
 T S M  
 22 FEB 91  
 J CO 71719  
 L J F  
 3 JAN 92  
 FO-50370-003  
 DRAWN  
 R E R  
 23 MAY 74  
 CHECK  
 D J W  
 27 MAY 74  
 CHECK  
 D J W  
 27 MAY 74  
 REVISIONS  
 A PR 4134  
 R E R  
 24 MAY 74  
 B CO 35243  
 D B W  
 6 MAY 75  
 C CO 35834  
 K P K  
 22 JUL 75  
 D CO 35858  
 D J W  
 26 AUG 75  
 E CO 44351  
 S J B  
 28 NOV 78  
 F CO 47573  
 T S M  
 16 JULY 80  
 G CO 48605  
 K A G  
 18 MAR 81  
 H CO 68501  
 T S M  
 22 FEB 91  
 J CO 71719  
 L J F  
 3 JAN 92  
 REPLACES  
 PR-4134  
 CHECK  
 D J W  
 27 MAY 74  
 CHECK  
 D J W  
 27 MAY 74



- NOTES
- 1 - CORROSION RESISTANT STEEL ENCLOSURE
  - 2 - SWITCH SEALED PER MIL-S-8805 SYMBOL 5
  - $\triangle 3$  TO ADJUST ROLLER DIRECTION, REMOVE ROLLER GUIDE LOCKRING, SCREW ROLLER GUIDE DOWN AS FAR AS POSSIBLE, THEN UNSCREW TO DESIRED DIRECTION. SECURE BY REPLACING ROLLER GUIDE LOCKRING
  - 4 - CIRCUIT DIAGRAM AND CATALOG LISTING ARE SHOWN ON NAMEPLATE
  - 5 - COINCIDENCE OF OPERATING AND RELEASING POINTS: .010 INCH OF PLUNGER TRAVEL
  - $\triangle 6$  HARDWARE MAY BE PACKAGED UNASSEMBLED PER MIL-S-8805

THIS DRAWING COVERS A PROPRIETARY ITEM AND IS THE PROPERTY OF MICRO SWITCH, A DIVISION OF MINNEAPOLIS-HONEYWELL REGULATOR CO. THIS DRAWING IS NOT TO BE COPIED OR USED WITHOUT THE APPROVAL OF MICRO SWITCH.

CHARACTERISTICS		ELECTRICAL DATA		SCALE FULL
OPERATING FORCE	6-12 LB	CONTACT ARRANGEMENT		DO NOT SCALE PRINT
DIFFERENTIAL FORCE	30 LB MAX	S P D T (2)		UNLESS OTHERWISE NOTED
RELEASE FORCE	4 LB MIN	28 VDC		DIMENSIONS ARE IN INCHES
PRETRAVEL	.040 MAX	LOAD	SEA LEVEL	100,000 FT.
DIFFERENTIAL TRAVEL	.020 MAX	RES	5	5
OVERTRAVEL	.250 MIN	IND	3	3
		MOTOR	4	4
TOLERANCES ARE:				
ONE PLACE (.0) ± .030				
TWO PLACE (.00) ± .015				
THREE PLACE (.000) ± .008				
ANGLES ±				
WEIGHT 6 OZ MAX				