

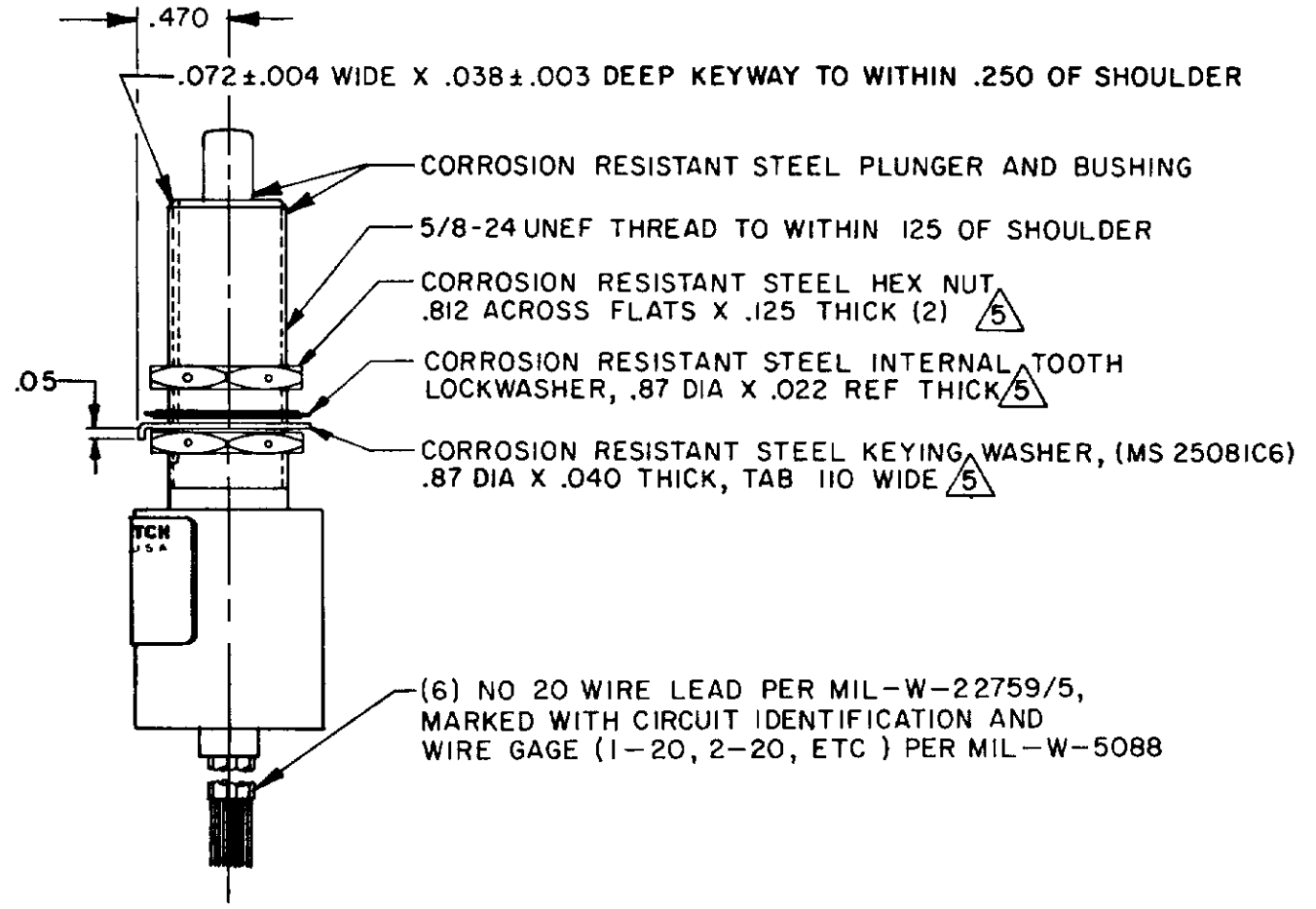
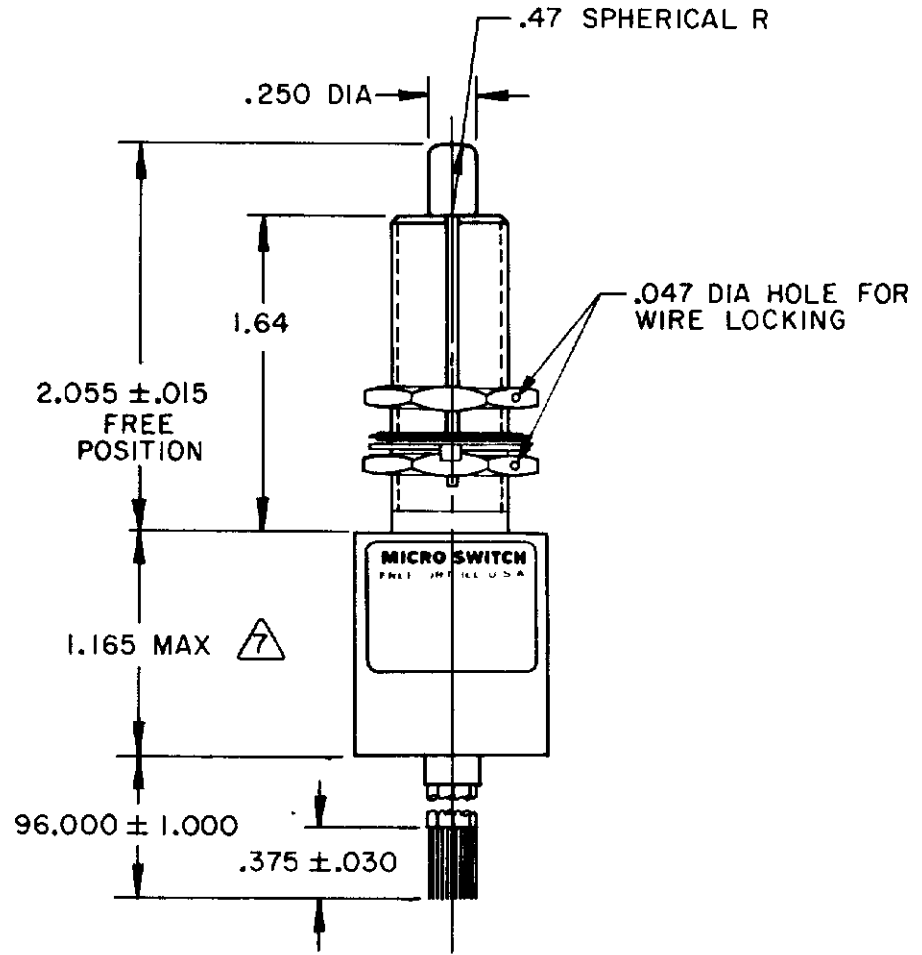
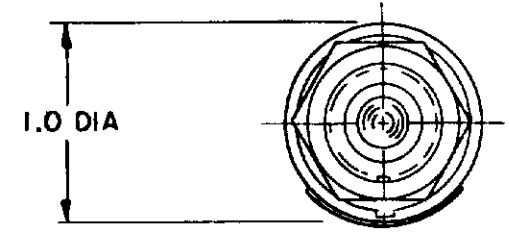
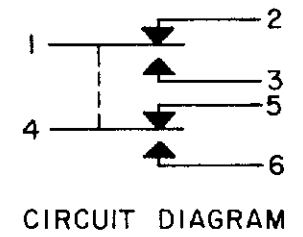
MICRO SWITCH

FREEPORT ILLINOIS U.S.A.
A DIVISION OF HONEYWELL
FED MFG CODE 91929

SWITCH-ENCLOSED

CATALOG LISTING
1EN331-8B

M



M 1EN331-8B
 DRAWING NUMBER
 ISSUE 1
 REVISIONS
 A CO44351 PART 7 J A P 6 APR 79
 B CO47573 J A P 5 AUG 80
 C CO63760 T B 20 JUN 88
 D CO66712 T J O 21 DEC 89
 E CO74101 T J O 1 FEB 93
 F CO77048 T J O 18 MAY 94
 FO-52851-A
 DRAWN J A P 6 APR 79
 CHECK C E B
 RELEASE NO. PR-4190-T
 REPLACES X60364-EN

THIS DRAWING COVERS A PROPRIETARY ITEM AND IS THE PROPERTY OF MICRO SWITCH, A DIVISION OF HONEYWELL. THIS DRAWING IS NOT TO BE COPIED OR USED WITHOUT THE APPROVAL OF MICRO SWITCH

THIRD ANGLE PROJECTION

SCALE FULL

DO NOT SCALE PRINT

CHARACTERISTICS	
OPERATING FORCE	6-12 LBS
FULL OVERTRAVEL FORCE	30 LBS MAX
RELEASE FORCE	4 LBS MIN
PRETRAVEL	.040 MAX
DIFFERENTIAL TRAVEL	.020 MAX
OVERTRAVEL	.250 MIN

ELECTRICAL DATA		
CONTACT ARRANGEMENT		
S P D T (2)		
28 VDC		
LOAD	SEA LEVEL	50,000 FT.
RES	4	4
IND	2	2
MOTOR	4	

TOLERANCES			
APPLY TO DESIGN UNITS. CONVERSIONS ARE ONLY FOR REFERENCE UNLESS NOTED. TOLERANCES ARE:			
DIM	TOL	DIM	TOL
NO PLACES	mm	IN	mm/in
ONE PLACE	17.04		
TWO PLACES	0.4/0.18	2 1/2	0.001/0.01
THREE PLACES	0.15/0.06	2 1/2	0.0001/0.001
ANGLES			
DESIGN UNITS		SI METRIC <input type="checkbox"/> US CUSTOMARY <input checked="" type="checkbox"/>	
GAS MATERIAL-COMMERCIAL STANDARD MICRO SWITCH STANDARDS APPLY DIMENSIONS ARE TO BE MET BEFORE PROTECTIVE COATINGS ARE APPLIED			
WEIGHT		11.3 OZ MAX	

- NOTES
- CORROSION RESISTANT STEEL ENCLOSURE
 - SWITCH SEALED PER MIL-S-8805 SYMBOL 4
 - CIRCUIT DIACRAM AND CATALOG LISTING ARE SHOWN ON NAMEPLATE
 - COINCIDENCE OF OPERATING AND RELEASING POINTS: .010 OF PLUNGER TRAVEL
 - HARDWARE MAY BE PACKAGED UNASSEMBLED PER MIL-S-8805
 - AT FULL OVERTRAVEL THE PLUNGER WILL BE UNDERFLUSH WITH THE BUSHING
 - THIS DIMENSION EXCLUDES THE RESILIENT POTTING MATERIAL ON BOTTOM OF SWITCH