

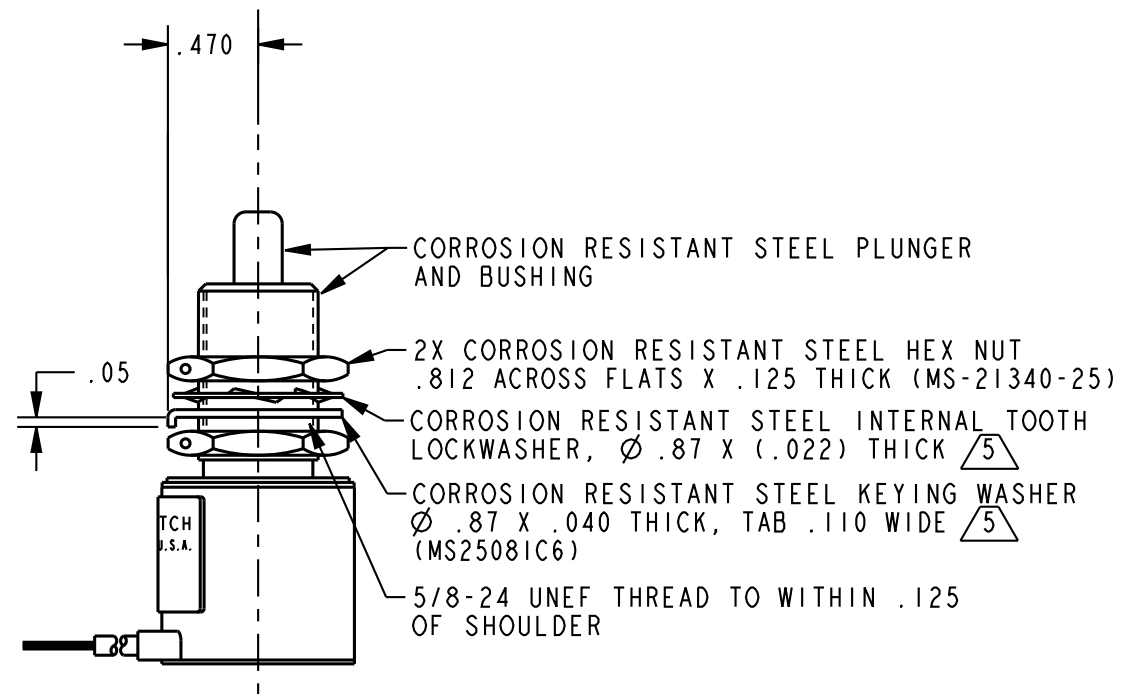
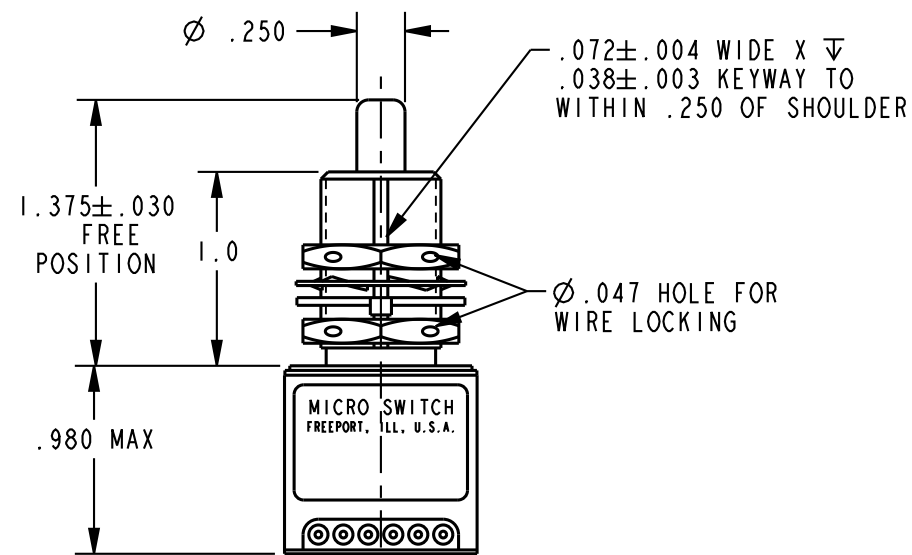
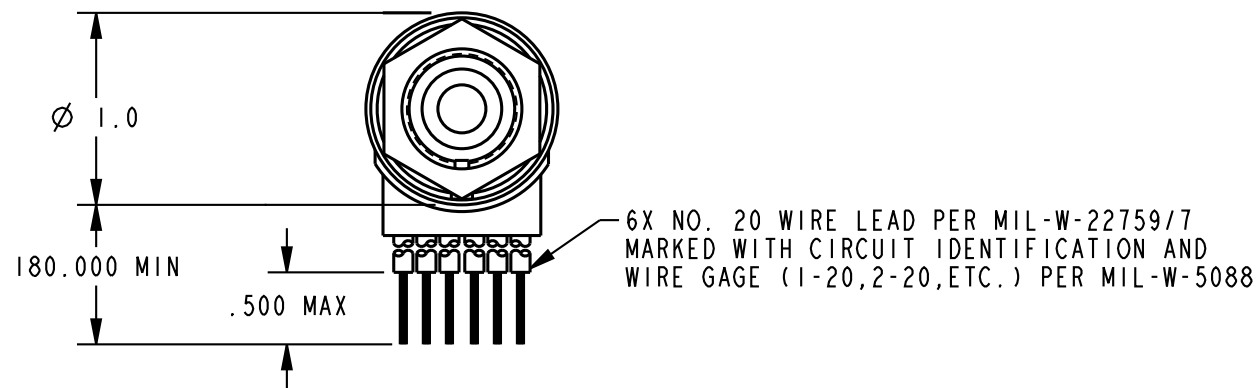
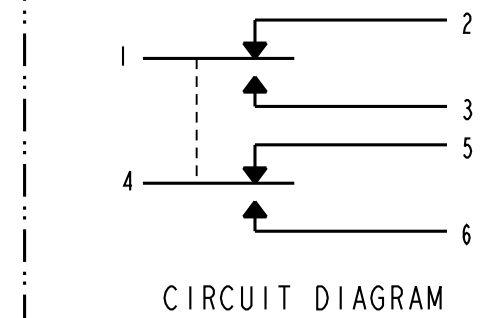
MICRO SWITCH
a Honeywell Division

FED. MFG. CODE 91929

SWITCH - ENCLOSED

CATALOG LISTING

1EN238-15

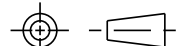


NOTES

- 1 - CORROSION RESISTANT STEEL ENCLOSURE
- 2 - SWITCH SEALED PER MIL-PRF-8805 SYMBOL 4
- 3 - COINCIDENCE OF OPERATING AND RELEASING POINTS:
.010 OF PLUNGER TRAVEL
- 4 - CIRCUIT DIAGRAM, CATALOG LISTING AND DATE CODE
ARE SHOWN ON NAMEPLATE
- 5 - HARDWARE MAY BE PACKAGED UNASSEMBLED PER MIL-PRF-8805
- 6 - REPLACEMENT MOUNTING HARDWARE PACKET: 198PA78-EN

THIS DRAWING COVERS A PROPRIETARY ITEM AND IS THE PROPERTY OF MICRO SWITCH, A DIVISION OF HONEYWELL. THIS DRAWING IS NOT TO BE COPIED OR USED WITHOUT THE APPROVAL OF MICRO SWITCH

THIRD ANGLE PROJECTION



CHARACTERISTICS		ELECTRICAL DATA		SCALE
OPERATING FORCE -----	6-12 LB	CONTACT ARRANGEMENT		FULL
FULL OVERTRAVEL FORCE -----	30 LB MAX	2X S P D T		DO NOT SCALE PRINT
RELEASE FORCE -----	4 LB MIN	LOAD	UNLESS OTHERWISE SPECIFIED TOLERANCES ARE	
PRETRAVEL -----	.040 MAX		ONE PLACE (.0) ±.030	
DIFFERENTIAL TRAVEL -----	.020 MAX	SEA LEVEL	50,000 FT.	TWO PLACE (.00) ±.015
OVERTRAVEL -----	.250 MIN	RES	4	THREE PLACE (.000) ±.005
FREE POSITION		IND	2	ANGLES ±
		MOTOR	4	WEIGHT 14.5 OZ MAX

ANSI Y14.5M-1982 APPLIES

PTC/CAD 2D
 DRAWN GJW 10 OCT 01
 CHECK CMH 10 OCT 01
 REVISIONS
 D 0102696 RKA 26 JULY 13
 C 0007513 PM 02 SEP 04
 B 207744 C S L 24 MAR 03
 A 204096 G J W OCT 01
 ISSUE 21
 M
 CATALOG LISTING
 1EN238-15
 PAGE 1 OF 1
 RELEASE NO. PR-176
 REPLACES -