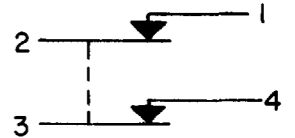


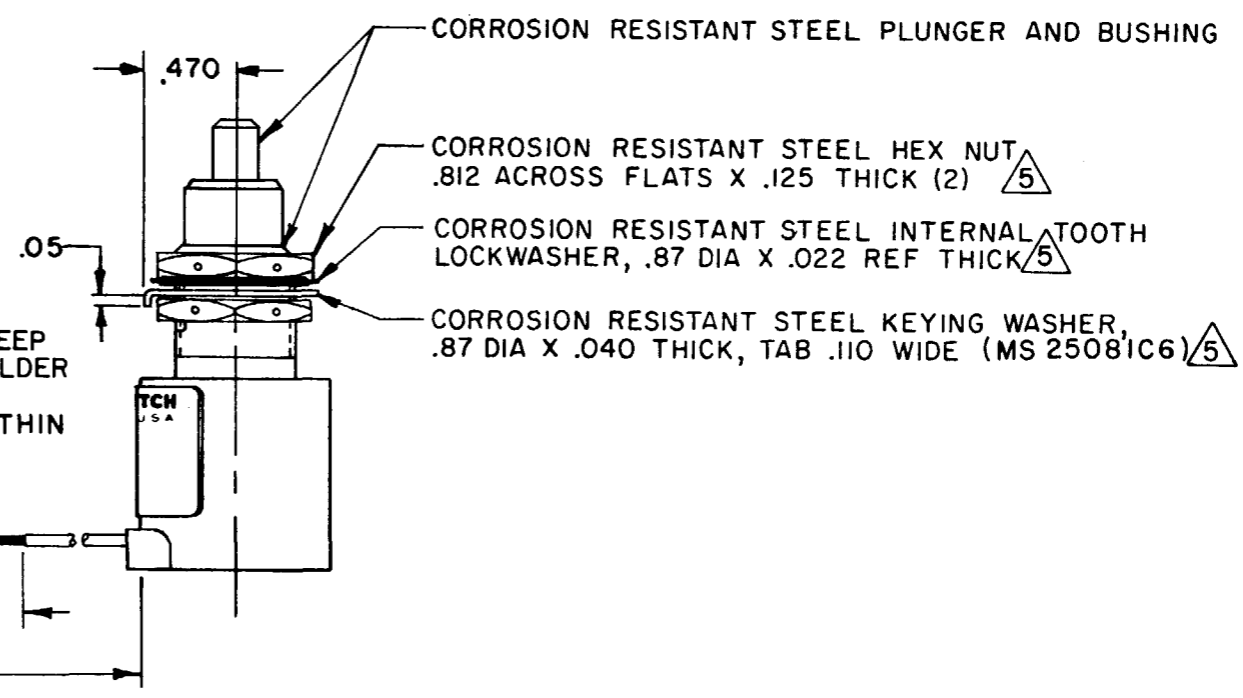
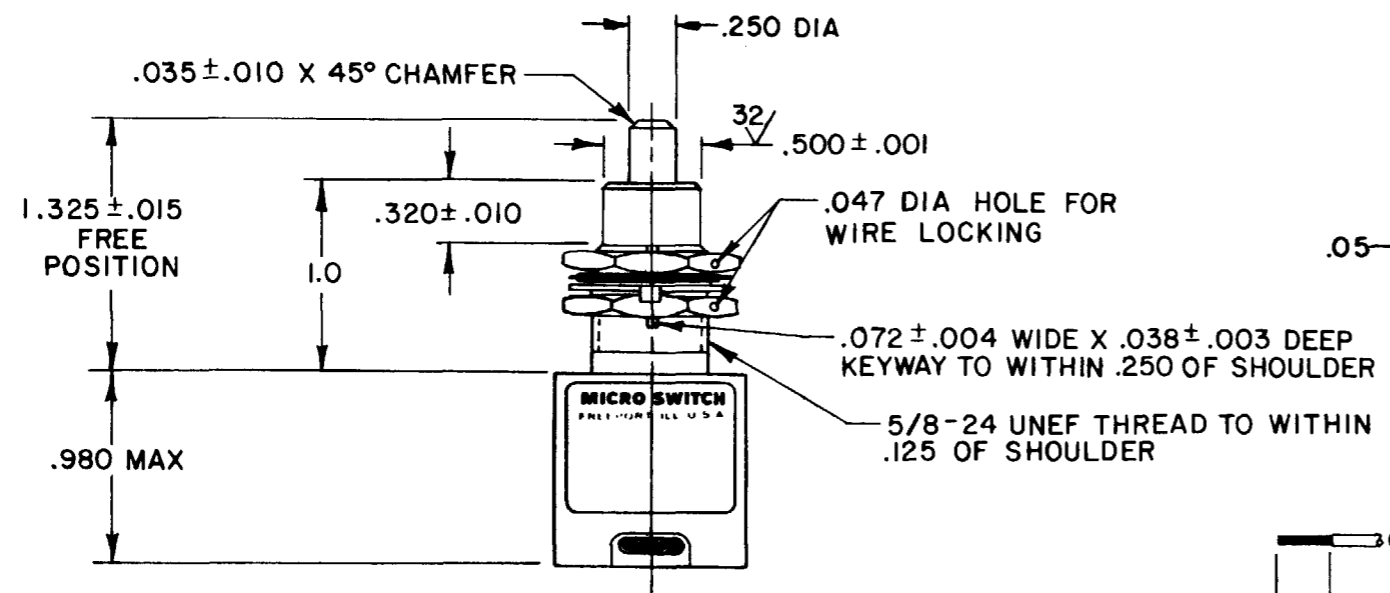
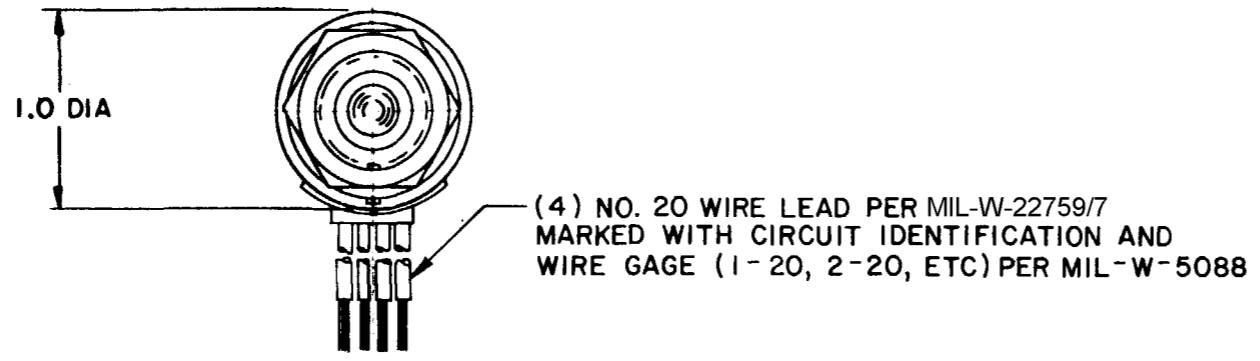
MICRO SWITCH
 FREEPORT ILLINOIS U S A
 A DIVISION OF HONEYWELL
 FED. MFG. CODE 91929

SWITCH-ENCLOSED

CATALOG LISTING
1EN212

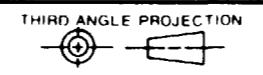


CIRCUIT DIAGRAM



CATALOG LISTING
1EN212
 PAGE 1 OF 1
 M
 DRAWING NUMBER
 17
 ISSUE
 REVISIONS
 A CO44351 PART 7 WJM 16 APR 79
 B CO47573 J A P 5 AUG 80
 C CO57370 TSK 14 MAY 85
 D CO-67176 M A M 20 APR 90
 E CO74101 G J W 14 JAN 93
 F CO-77504A S A V 16 MAR 94
 G 201512 C S L 24 OCT 00
 H 0006684 K S R 21 JUL 04
 RASTER FO-8285 1-A
 DRAWN WJM 12 APR 79
 CHECK CEB 19 APR 79
 CHECK AK 21 JUL 04
 CHECK
 REPLACES SR-11278
 RELEASE NO.

THIS DRAWING COVERS A PROPRIETARY ITEM AND IS THE PROPERTY OF MICRO SWITCH, A DIVISION OF HONEYWELL. THIS DRAWING IS NOT TO BE COPIED OR USED WITHOUT THE APPROVAL OF MICRO SWITCH.



SCALE FULL	
DO NOT SCALE PRINT	
TOLERANCES	
APPLY TO DESIGN UNITS. CONVERSIONS ARE ONLY FOR REFERENCE. UNLESS NOTED, TOLERANCES ARE:	
DIM.	TOL.
mm	mm/in
in	mm/in
NO PLACES	X 1/04
ONE PLACE	X,X 0.47/018 X X X 0.87/03
TWO PLACES	X,XX 0.157/008 X XX 0.387/015
THREE PLACES	X,XXX 0.131/005
ANGLES	
DESIGN UNITS	SI METRIC <input type="checkbox"/> US CUSTOMARY <input checked="" type="checkbox"/>
RAW MATERIAL - COMMERCIAL STANDARD	
MICRO SWITCH STANDARDS APPLY	
DIMENSIONS ARE TO BE MET BEFORE PROTECTIVE COATINGS ARE APPLIED	
WEIGHT	5.2 OZ MAX

CHARACTERISTICS		ELECTRICAL DATA	
OPERATING FORCE ----- 15 LB MAX		CONTACT ARRANGEMENT	
FULL OVERTRAVEL FORCE ----- 30 LB MAX		S P D T (2)	
RELEASE FORCE ----- 10 LB MIN		LOAD	
PRETRAVEL ----- .040 MAX		28 VDC	
DIFFERENTIAL TRAVEL ----- .020 MAX		SEA LEVEL	50,000 FT.
OVERTRAVEL ----- .062 MIN		RES	4
		IND	2
		MOTOR	4

- NOTES
- 1 - CORROSION RESISTANT STEEL ENCLOSURE
 - 2 - SWITCH SEALED PER MIL-PRF-8805 SYMBOL 4
 - 3 - CIRCUIT DIAGRAM, CAT. LIST. AND DATE CODE ARE SHOWN ON NAMEPLATE
 - 4 - COINCIDENCE OF OPERATING AND RELEASING POINTS: .010 OF PLUNGER TRAVEL
 - 5 - HARDWARE MAY BE PACKAGED UNASSEMBLED PER MIL-PRF-8805