

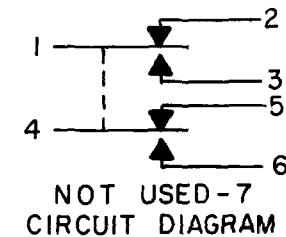
MICRO SWITCH

FREEPORT, ILLINOIS, U.S.A.
A DIVISION OF HONEYWELL

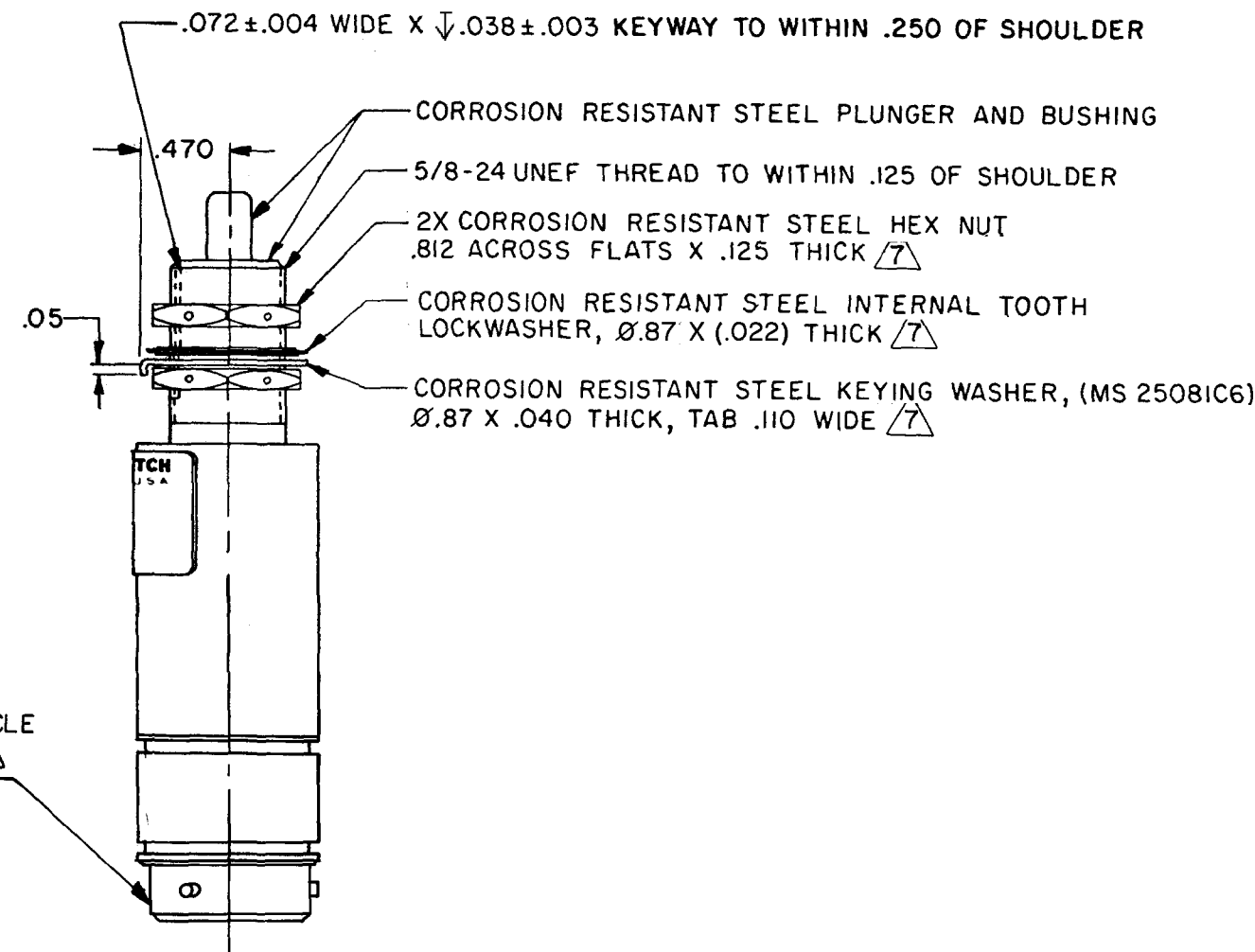
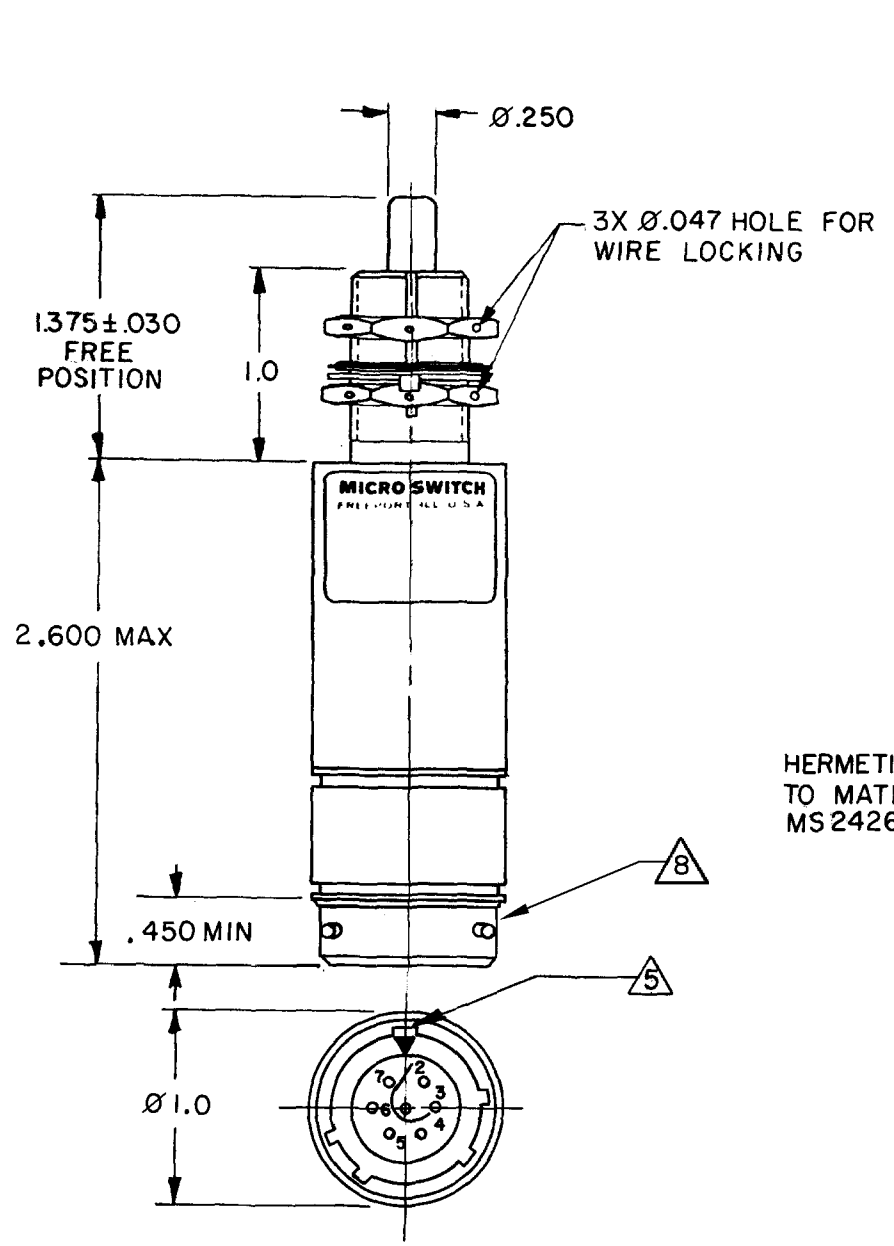
FED. MFG. CODE 91929

SWITCH - ENCLOSED

CATALOG LISTING
1EN161-RB1



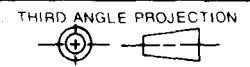
CATALOG LISTING
 1EN161-RB1
 PAGE 1 OF 1
 ISSUE 26
 REVISIONS:
 A CO 44351
 S L B 19 APR 79
 B CO 46777
 J A P 12 NOV 79
 C CO 48159-B
 T S K 22 APR 81
 D CO 74101
 DAW 10 FEB 93
 E CO 77504 C
 DLT 27 JUL 94
 F CO 93101
 J A S 26 MAY 98
 G CO-93970
 S A V 12 JAN 99
 FORMTEK DRAWN
 S L B 18 APR 79
 C E B 20 APR 79
 CHECK
 RELEASE NO. SR-10483
 REPLACES



REV	DATE	BY	CHKD	DESCRIPTION
A	CO	44351		
S	L B	19 APR 79		
B	CO	46777		
J	A P	12 NOV 79		
C	CO	48159-B		
T	S K	22 APR 81		
D	CO	74101		
DAW		10 FEB 93		
E	CO	77504 C		
DLT		27 JUL 94		
F	CO	93101		
J A S		26 MAY 98		
G	CO-	93970		
S A V		12 JAN 99		

ANSI Y14.5M-1982 APPLIES

THIS DRAWING COVERS A PROPRIETARY ITEM AND IS THE PROPERTY OF MICRO SWITCH, A DIVISION OF HONEYWELL. THIS DRAWING IS NOT TO BE COPIED OR USED WITHOUT THE APPROVAL OF MICRO SWITCH.



SCALE FULL
DO NOT SCALE PRINT

CHARACTERISTICS	OPERATING FORCE	6-12 LB
FULL OVERTRAVEL FORCE	30 LB MAX	
RELEASE FORCE	4 LB MIN	
PRETRAVEL	.040 MAX	
DIFFERENTIAL TRAVEL	.020 MAX	
OVERTRAVEL	.250 MIN	

ELECTRICAL DATA	CONTACT ARRANGEMENT	
	2X S P D T	
LOAD	28 VDC	
	SEA LEVEL	50,000 FT.
	RES	4
	IND	2
MOTOR	4	

TOLERANCES			
APPLY TO DESIGN UNITS. CONVERSIONS ARE ONLY FOR REFERENCE. UNLESS NOTED, TOLERANCES ARE ±			
DIM.	TOL.	DIM.	TOL.
mm	mm/in	in	mm/in
NO PLACES	X	1/64	
ONE PLACE	X,X	0.4/016	X,X 0.8/03
TWO PLACES	X,XX	0.15/006	X,XX 0.38/015
THREE PLACES	X,XXX		X,XXX 0.13/005
ANGLES			
DESIGN UNITS		<input type="checkbox"/> SI METRIC	<input checked="" type="checkbox"/> US CUSTOMARY
RAW MATERIAL-COMMERCIAL STANDARD MICRO SWITCH STANDARDS APPLY DIMENSIONS ARE TO BE MET BEFORE PROTECTIVE COATINGS ARE APPLIED			
WEIGHT		5 OZ MAX	

- NOTES
- 1 - CORROSION RESISTANT STEEL ENCLOSURE
 - 2 - SWITCH SEALED PER MIL-S-8805 SYMBOL 4
 - 3 - COINCEDENCE OF OPERATING AND RELEASING POINTS: .010 OF PLUNGER TRAVEL
 - 4 - CIRCUIT DIAGRAM, CATALOG LISTING, FED. MFG. CODE AND DATE CODE ARE SHOWN ON NAMEPLATE
 - 5 - KEYWAY IN BUSHING AND POLARIZING KEY OF RECEPTACLE ARE NOT NECESSARILY ALIGNED
 - 6 - EITHER SPIRAL OR PIN NUMBERS APPEAR ON RECEPTACLE
 - 7 - HARDWARE MAY BE PACKAGED UNASSEMBLED PER MIL-S-8805
 - 8 - MIL SPEC NUMBER MUST BE VISIBLE ON CONNECTOR (M83723/80H1407N)

ANSI Y14.5M-1982 APPLIES