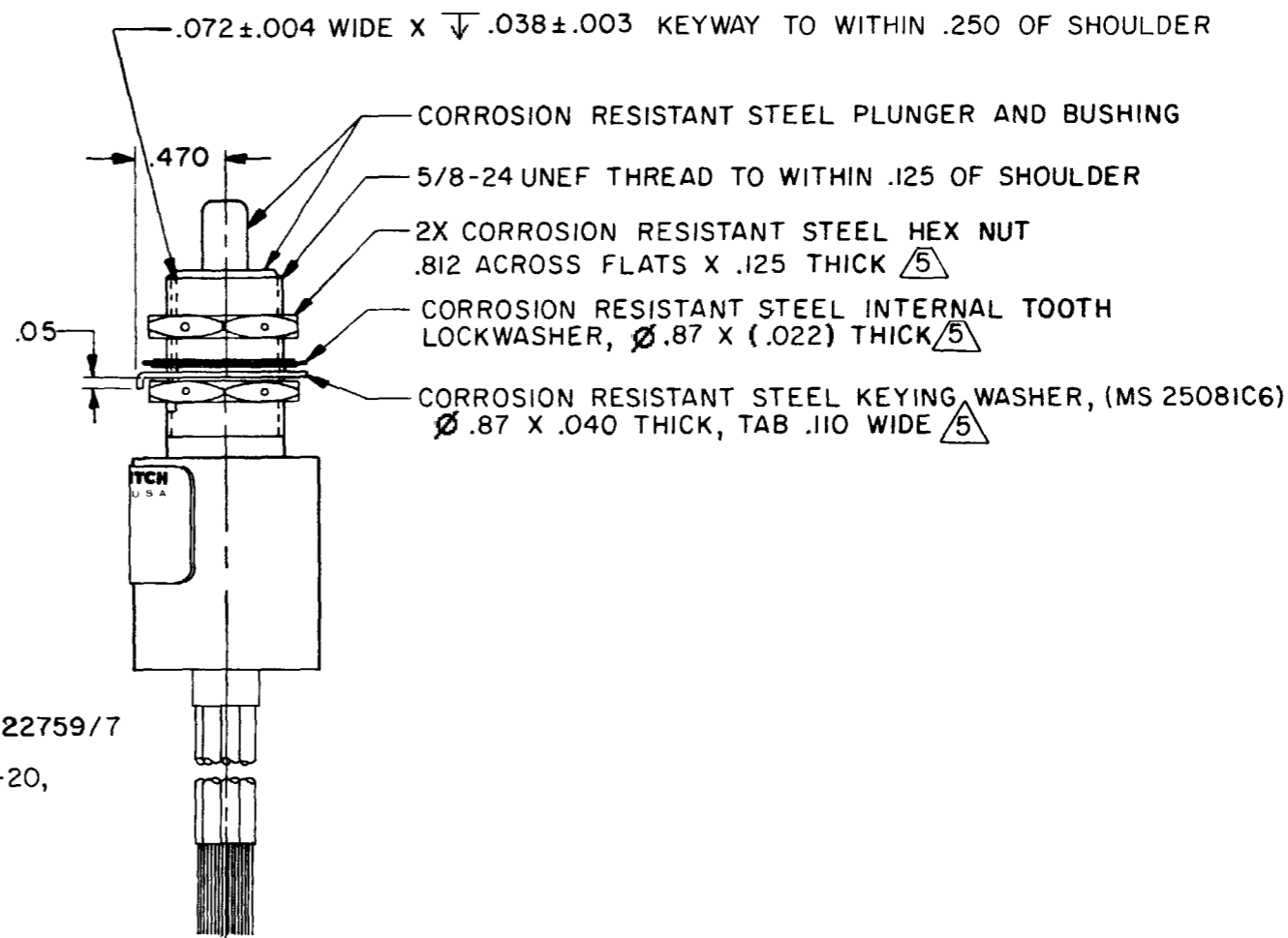
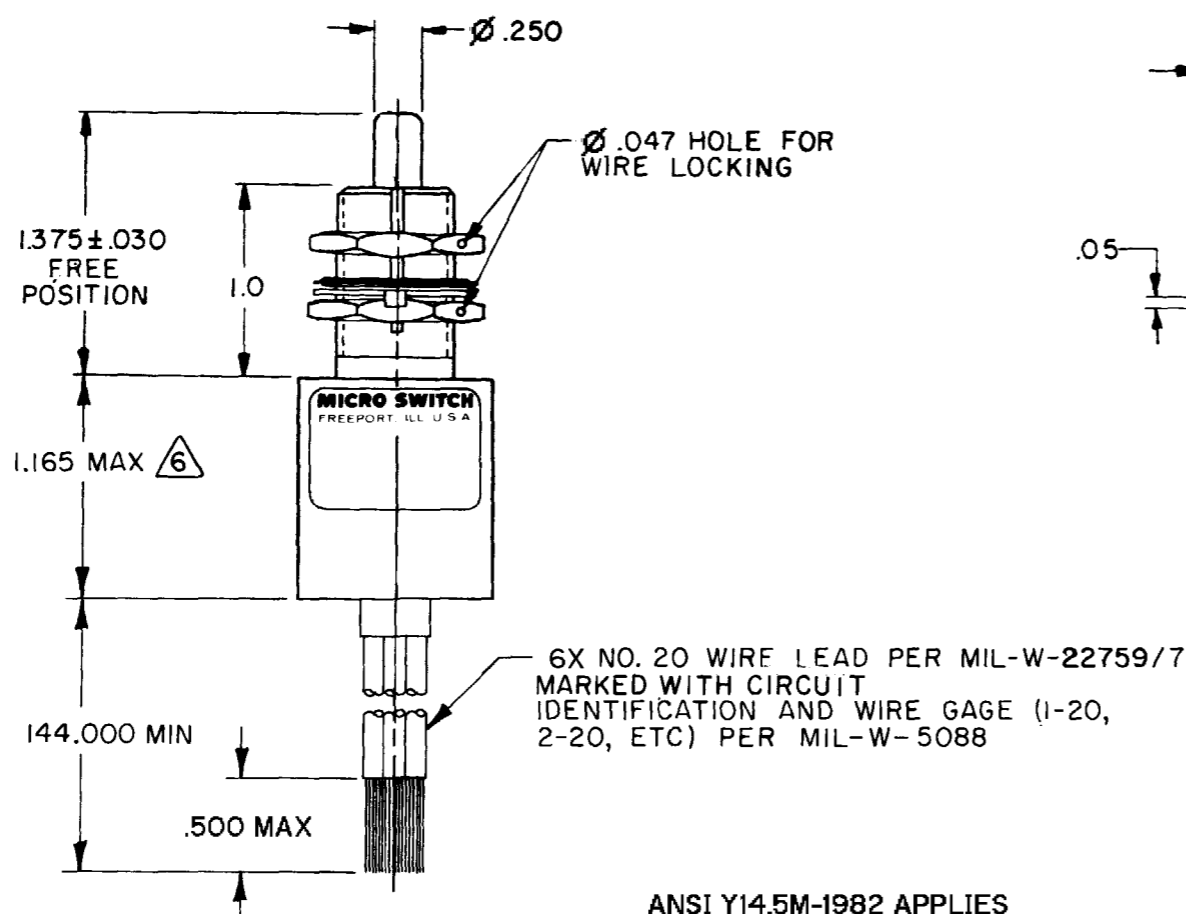
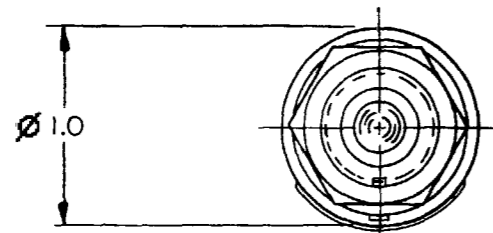
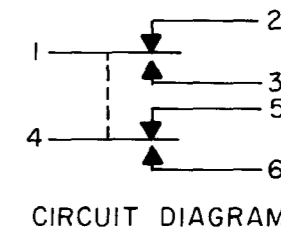


MICRO SWITCH
 FREEPORT ILLINOIS U.S.A.
 A DIVISION OF HONEYWELL
 FED. MFG. CODE 91929

SWITCH - ENCLOSED

CATALOG LISTING
1EN1-12B



ANSI Y14.5M-1982 APPLIES

THIS DRAWING COVERS A PROPRIETARY ITEM AND IS THE PROPERTY OF MICRO SWITCH, A DIVISION OF HONEYWELL. THIS DRAWING IS NOT TO BE COPIED OR USED WITHOUT THE APPROVAL OF MICRO SWITCH.

THIRD ANGLE PROJECTION

SCALE FULL

DO NOT SCALE PRINT

CHARACTERISTICS	
OPERATING FORCE	6-12 LB
FULL OVERTRAVEL FORCE	30 LB MAX
RELEASE FORCE	4 LB MIN
PRETRAVEL	.040 MAX
DIFFERENTIAL TRAVEL	.020 MAX
OVERTRAVEL	.250 MIN

ELECTRICAL DATA		
CONTACT ARRANGEMENT		
2X S P D T		
LOAD		
28 VDC		
	SEA LEVEL	50,000 FT.
RES	4	4
IND	2	2
MOTOR	4	
LAMP		

TOLERANCES			
APPLY TO DESIGN UNITS. CONVERSIONS ARE ONLY FOR REFERENCE. UNLESS NOTED, TOLERANCES ARE Z			
DIM.	TOL.	DIM.	TOL.
mm	mm/in	in	mm/in
NO PLACES	X	1/64	X X
ONE PLACE	X, X	0.47/016	X X
TWO PLACES	X, XX	0.15/008	X XX
THREE PLACES	X, XXX		X XXX
ANGLES			

DESIGN UNITS	SI METRIC	US CUSTOMARY
<input type="checkbox"/>	<input type="checkbox"/>	<input checked="" type="checkbox"/>

RAW MATERIAL - COMMERCIAL STANDARD
MICRO SWITCH STANDARDS APPLY
DIMENSIONS ARE TO BE MET BEFORE PROTECTIVE COATINGS ARE APPLIED
WEIGHT 11.8 OZ MAX

NOTES

- 1 - CORROSION RESISTANT STEEL ENCLOSURE
- 2 - SWITCH SEALED PER MIL-S-8805, SYMBOL 4
- 3 - CIRCUIT DIAGRAM, DATE CODE, FED. MFG. CODE AND CAT. LIST. ARE SHOWN ON NAMEPLATE
- 4 - COINCIDENCE OF OPERATING AND RELEASING POINTS: .010 OF PLUNGER TRAVEL
- ⁵ - HARDWARE MAY BE PACKAGED UNASSEMBLED PER MIL-S-8805
- ⁶ - THIS DIMENSION EXCLUDES THE RESILIENT POTTING MATERIAL ON THE BOTTOM OF SWITCH

FORMTEK FO-52851-A DRAWN C.E.B. 6 JAN 79 CHECK D.J.W. 12 JAN 79
 M 1EN1-12B PAGE 1 OF 1 DRAWING NUMBER 14 ISSUE 14
 RELEASE NO. PR-1767 REPLACES

REVISIONS	
A	44351, PART 5 C E B 6 JAN 79
B	CO47573 J A P 4 AUG 80
C	CO51725 K A G 19 JAN 82
D	CO66712 T J O 19 DEC 89
E	CO-94005 P P F 14 DEC 98