

MICRO SWITCH

a Honeywell Division

FED. MFG. CODE 91929

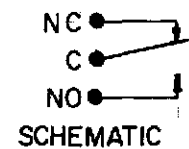
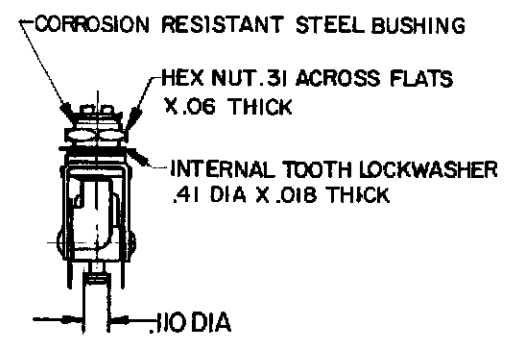
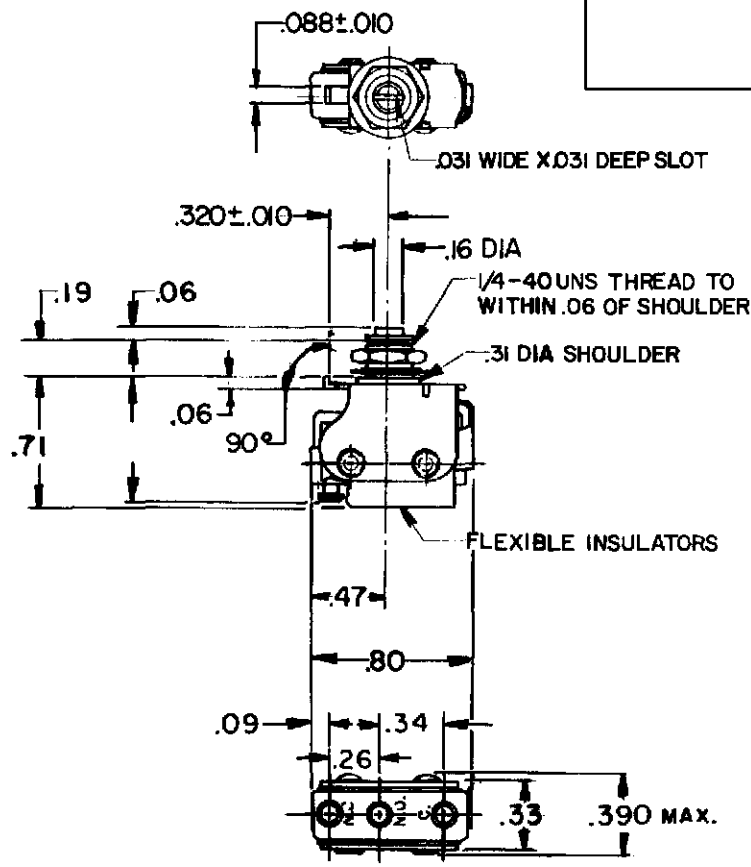
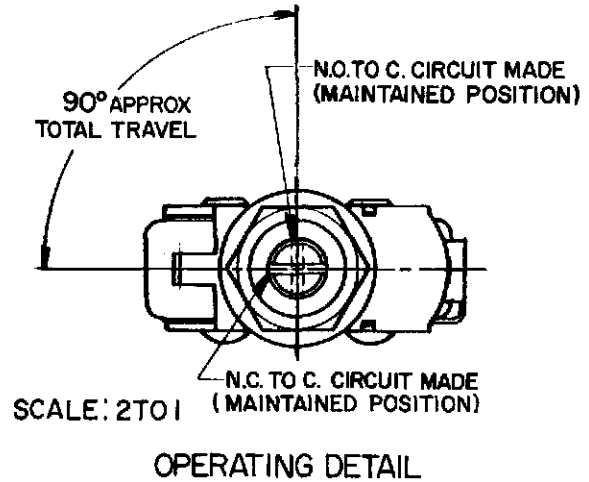
ASSEMBLY - SWITCH

CATALOG LISTING

1RA16

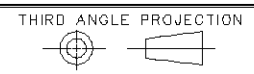
CATALOG LISTING
 1RA16
 PAGE 1 OF 1
 ISSUE 4
 REVISIONS:
 A OBS C083804 C S L 20 JAN 97
 B REINST PR23157 J A K 8 JAN 98
 CHECK
 29 JUL 98
 J A F
 CHECK
 8 JAN 98
 J A K
 DRAWN
 FORMTEK

REPLACES PR-3707



NOTE
1 - UNIT INCLUDES CAT. LIST 21 SM 297-T

THIS DRAWING COVERS A PROPRIETARY ITEM AND IS THE PROPERTY OF MICRO SWITCH, A DIVISION OF HONEYWELL. THIS DRAWING IS NOT TO BE COPIED OR USED WITHOUT THE APPROVAL OF MICRO SWITCH.



CHARACTERISTICS	ELECTRICAL DATA		SCALE FULL	DO NOT SCALE PRINT
	CONTACT ARRANGEMENT S P D T		UNLESS OTHERWISE SPECIFIED TOLERANCES ARE	
6 IN - OZ OPERATING TORQUE MAX	SEA LEVEL	50,000 FT	ONE PLACE (.0)	±.030
	LOAD	28 VDC	TWO PLACE (.00)	±.015
	RESISTIVE	1 AMP	THREE PLACE (.000)	±.005
	INDUCTIVE	1/4 AMP	ANGLES	±
	LAMP		WEIGHT	