

MICRO SWITCH
a Honeywell Division

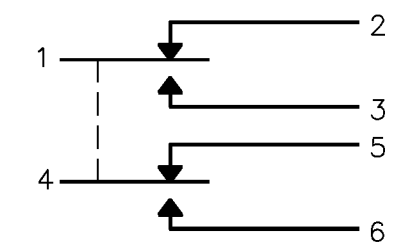
FED. MFG. CODE 91929

SWITCH — ENCLOSED

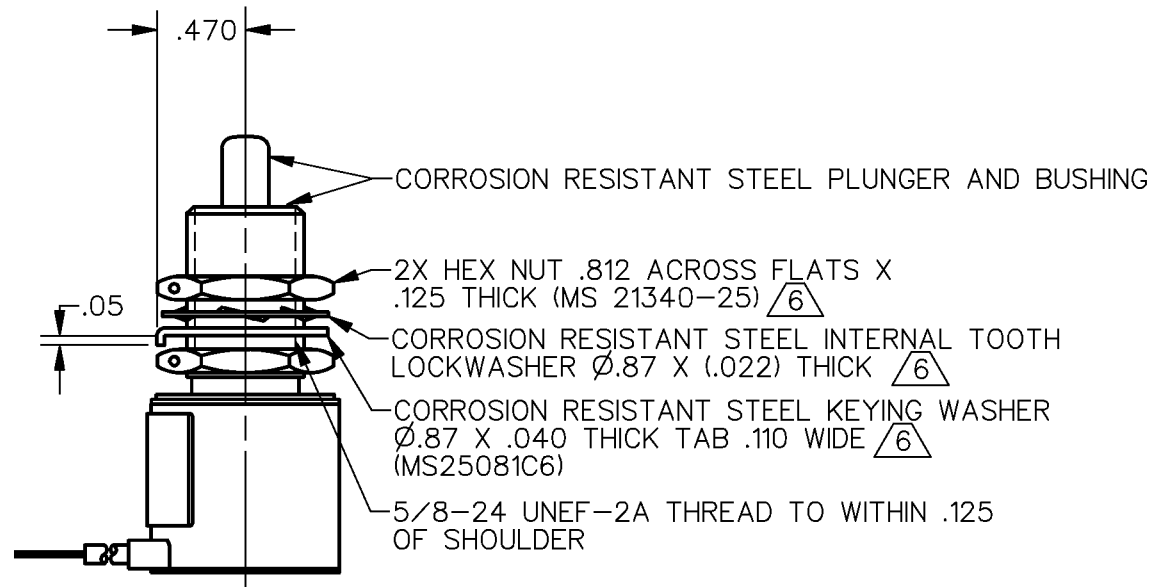
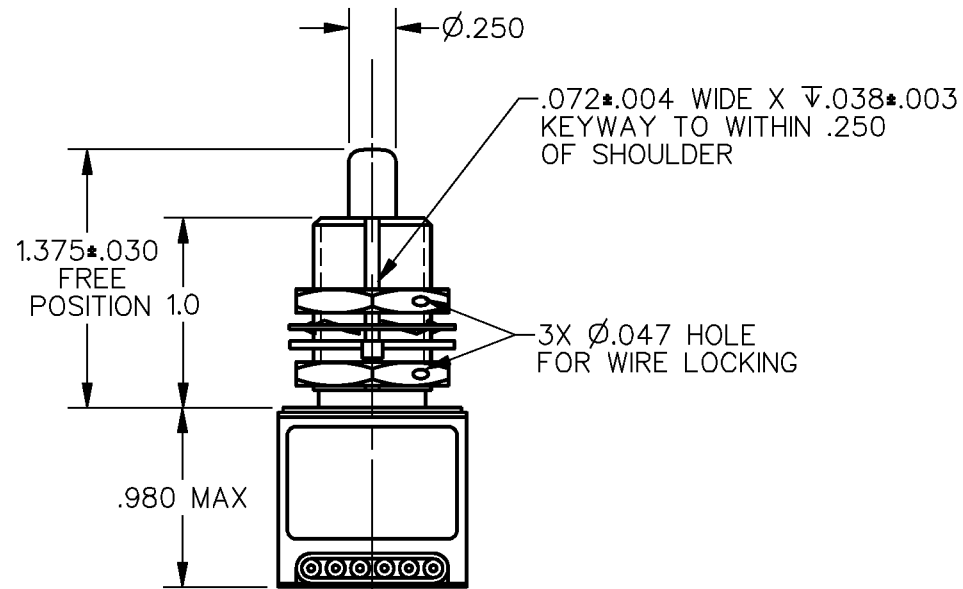
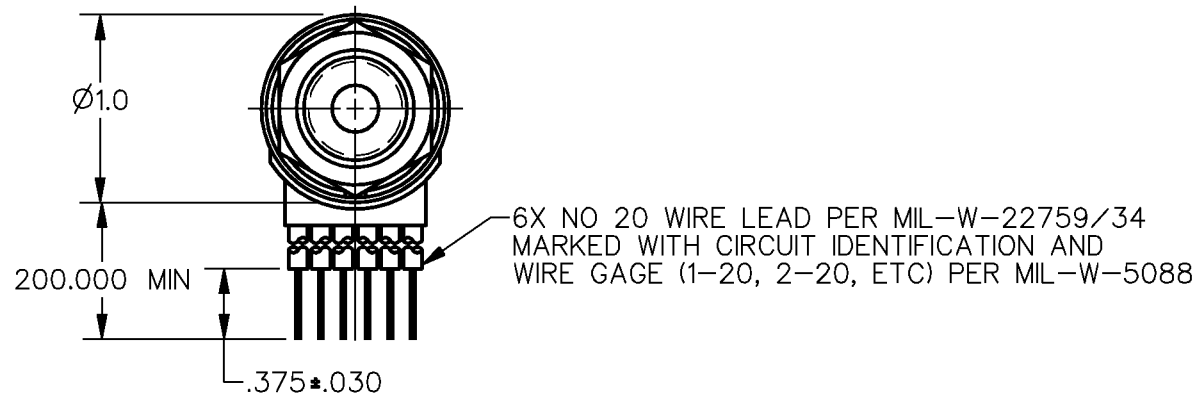
CATALOG LISTING

1HE70

PN-A1934



CIRCUIT DIAGRAM



CATALOG LISTING
1HE70
PAGE 1 OF 1

ISSUE
M
3

REVISIONS
A REL PR 23520 DCS 4 JUN 98
B CO- 93529 G J W 15 SEP 98

REPLACES
PR-23520

CHECK

CHECK

4 JUN 98

JAF

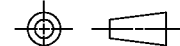
17DEC97

DDM/CAD

DRAWN

THIS DRAWING COVERS A PROPRIETARY ITEM AND IS THE PROPERTY OF MICRO SWITCH, A DIVISION OF HONEYWELL. THIS DRAWING IS NOT TO BE COPIED OR USED WITHOUT THE APPROVAL OF MICRO SWITCH

THIRD ANGLE PROJECTION



CHARACTERISTICS	ELECTRICAL DATA
OPERATING FORCE ——— 6-12 LB	CONTACT ARRANGEMENT 2X S P D T
FULL OVERTRAVEL FORCE --- 30 LB MAX	28 VDC
RELEASE FORCE ——— 4 LB MIN	SEA LEVEL AND 100,000 FT.
PRETRAVEL ——— .040 MAX	LOAD
DIFFERENTIAL TRAVEL — .020 MAX	RES 5 AMPS
OVERTRAVEL ——— .250 MIN	IND 3 AMPS
	MOTOR 4 AMPS

CHARACTERISTICS	ELECTRICAL DATA
OPERATING FORCE ——— 6-12 LB	CONTACT ARRANGEMENT 2X S P D T
FULL OVERTRAVEL FORCE --- 30 LB MAX	28 VDC
RELEASE FORCE ——— 4 LB MIN	SEA LEVEL AND 100,000 FT.
PRETRAVEL ——— .040 MAX	LOAD
DIFFERENTIAL TRAVEL — .020 MAX	RES 5 AMPS
OVERTRAVEL ——— .250 MIN	IND 3 AMPS
	MOTOR 4 AMPS

SCALE	FULL
DO NOT SCALE PRINT	
UNLESS OTHERWISE SPECIFIED TOLERANCES ARE	
ONE PLACE	(.0) ± .030
TWO PLACE	(.00) ± .015
THREE PLACE	(.000) ± .005
ANGLES	±
WEIGHT	12.0 OZ MAX

NOTES

- 1 - CORROSION RESISTANT STEEL ENCLOSURE
- 2 - CIRCUIT DIAGRAM, CATALOG LISTING AND DATE CODE ARE SHOWN ON NAMEPLATE
- 3 - FOR OPERATION IN TEMPERATURES OF -65°F TO +257°F
- 4 - COINCIDENCE OF OPERATING AND RELEASING POINTS: .010 INCH OF PLUNGER TRAVEL
- 5 - SWITCH SEALED PER MIL-S-8805 SYMBOL 5
- 6 ∇ HARDWARE MAY BE PACKAGED UNASSEMBLED PER MIL-S-8805

ANSI Y14.5M-1982 APPLIES