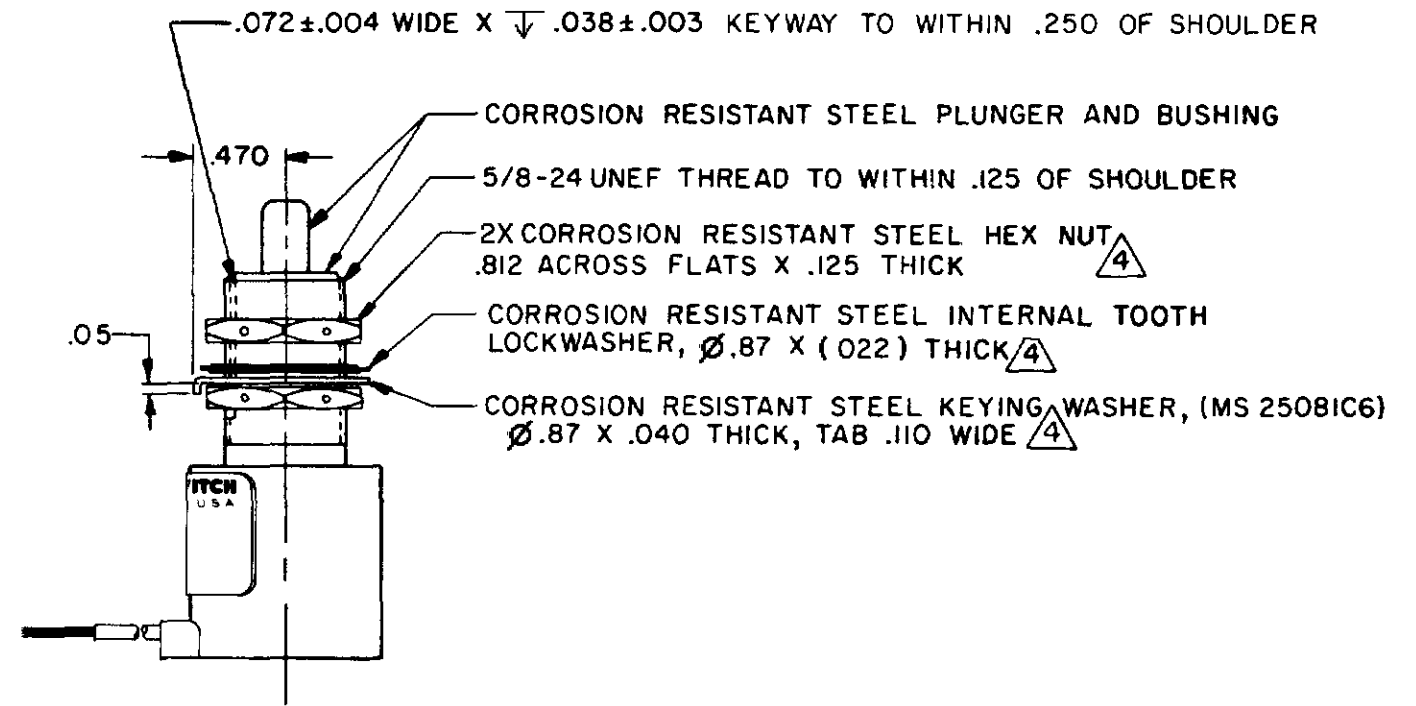
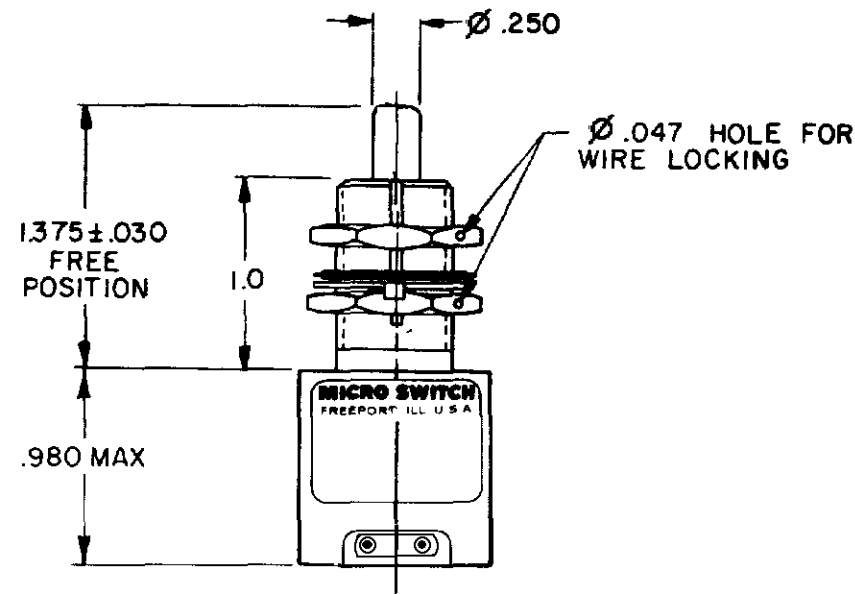
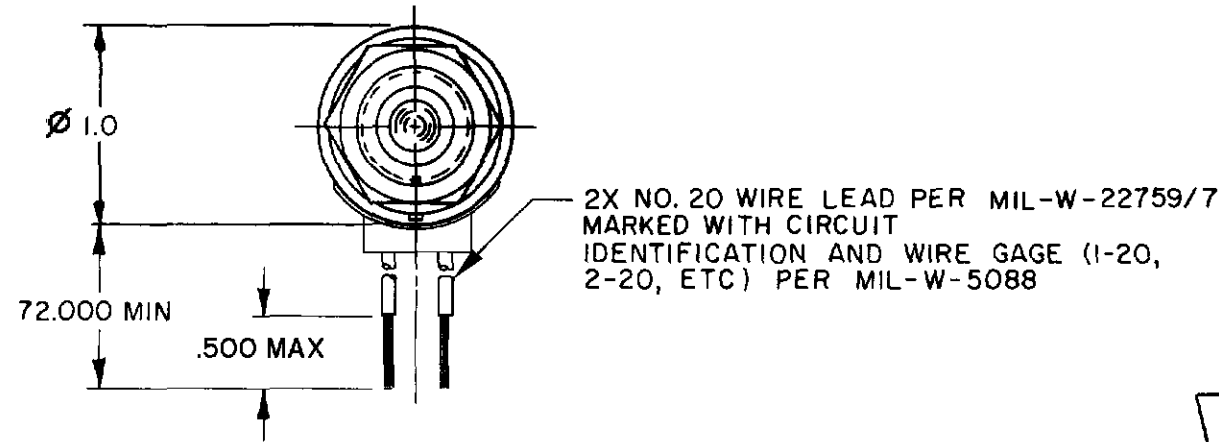
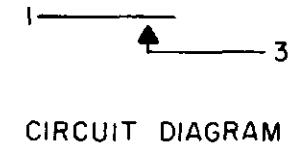


MICRO SWITCH
 FREEPORT ILLINOIS U.S.A.
 A DIVISION OF HONEYWELL
 FED. MFG. CODE 91928

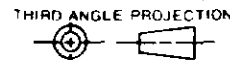
SWITCH - ENCLOSED

CATALOG LISTING
1EN8-6



ANSI Y14.5M-1982 APPLIES

THIS DRAWING COVERS A PROPRIETARY ITEM AND IS THE PROPERTY
 OF MICRO SWITCH, A DIVISION OF HONEYWELL. THIS DRAWING IS NOT
 TO BE COPIED OR USED WITHOUT THE APPROVAL OF MICRO SWITCH



SCALE FULL

DO NOT SCALE PRINT

TOLERANCES

APPLY TO DESIGN UNITS. CONVERSIONS ARE ONLY FOR
 REFERENCE. UNLESS NOTED, TOLERANCES ARE:

	DIM.	TOL.	DIM.	TOL.
	mm	mm/in	in	mm/in
NO PLACES	X	± 0.04		
ONE PLACE	XX	0.47/D18	XX	0.81/85
TWO PLACES	XXX	0.15/008	XXX	0.36/D18
THREE PLACES			XXX	0.13/008

DESIGN UNITS SI METRIC US CUSTOMARY

RAW MATERIAL—COMMERCIAL STANDARD
 MICRO SWITCH STANDARDS APPLY
 DIMENSIONS ARE TO BE MET BEFORE
 PROTECTIVE COATINGS ARE APPLIED

WEIGHT 4.5 OZ MAX

CHARACTERISTICS	ELECTRICAL DATA
OPERATING FORCE ----- 6-12 LB	CONTACT ARRANGEMENT S P N O
FULL OVERTRAVEL FORCE ----- 30 LB MAX	28 VDC
RELEASE FORCE ----- 4 LB MIN	SEA LEVEL 50,000 FT.
PRETRAVEL ----- ± 0.040 MAX	RES 4 4
DIFFERENTIAL TRAVEL ----- 0.020 MAX	IND 2 2
OVERTRAVEL ----- 0.250 MIN	MOTOR 4
	LAMP

NOTES

- 1 - CORROSION RESISTANT STEEL ENCLOSURE
 - 2 - SWITCH SEALED PER MIL-PRF- 8805, SYMBOL 4
 - 3 - CIRCUIT DIAGRAM, DATE CODE, FED. MFG. CODE
 AND CATALOG LISTING ARE SHOWN ON NAMEPLATE
- 4 HARDWARE MAY BE PACKAGED UNASSEMBLED PER MIL-PRF-8805

FORMTEK FO-52851-A DRAWN CEB 3 JAN 79 CHECK DJW 12 JAN 79
 REVISIONS
 A 44351 PART 5 CEB 2 JAN 79
 B C047573 JAP 4 AUG 80
 C 51729A CO 1 SEPT 82
 D C074101 GJW 23 JAN 93
 E 77808 SAO 14 MAY 94
 F 94005 PPF 14 DEC 98
 G 0018411 DVM 16 JAN 06
 ISSUE 1819
 DRAWING NUMBER M 1EN8-6 PAGE 1 OF 1
 RELEASE NO. PR-1750
 16 JAN 06 CHECK RJ
 REPLACES