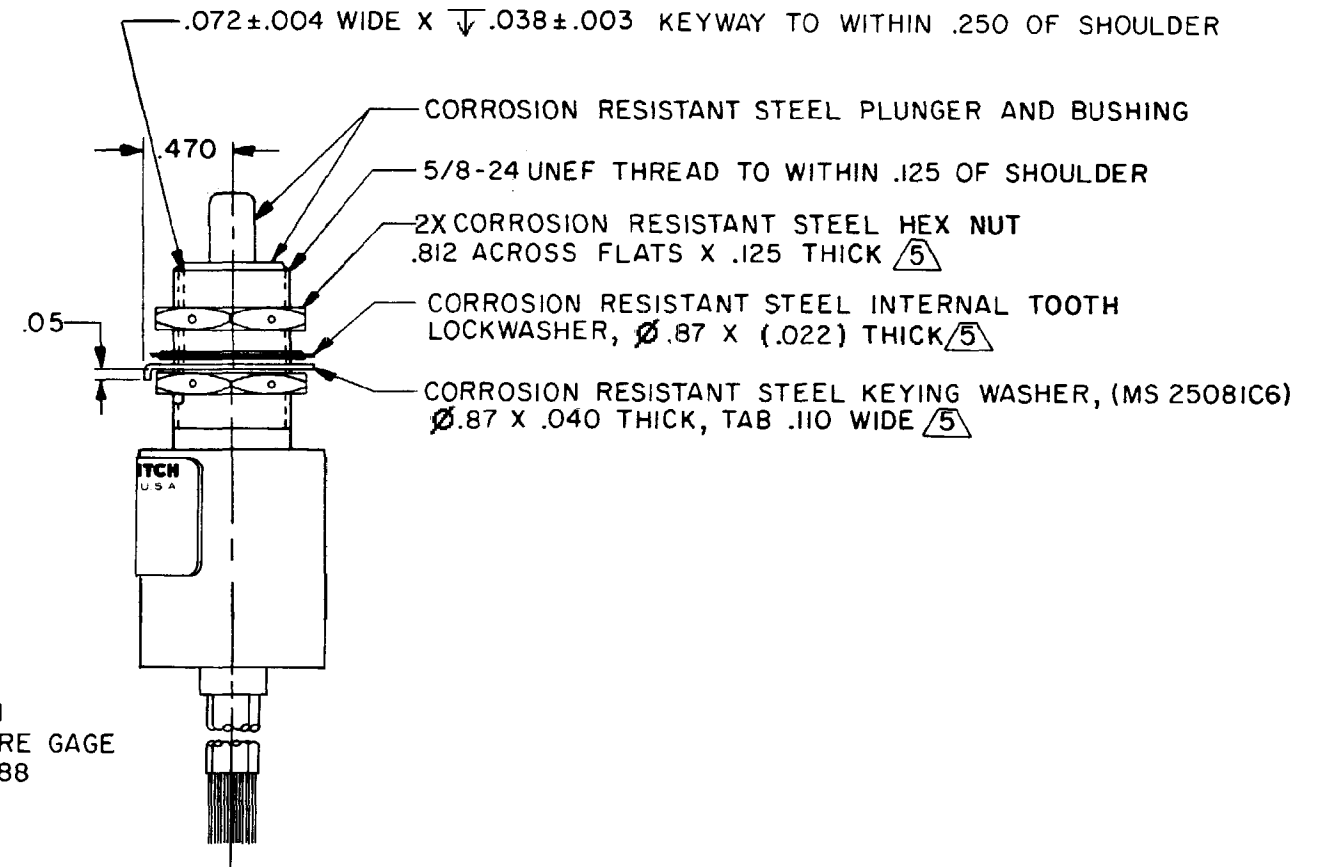
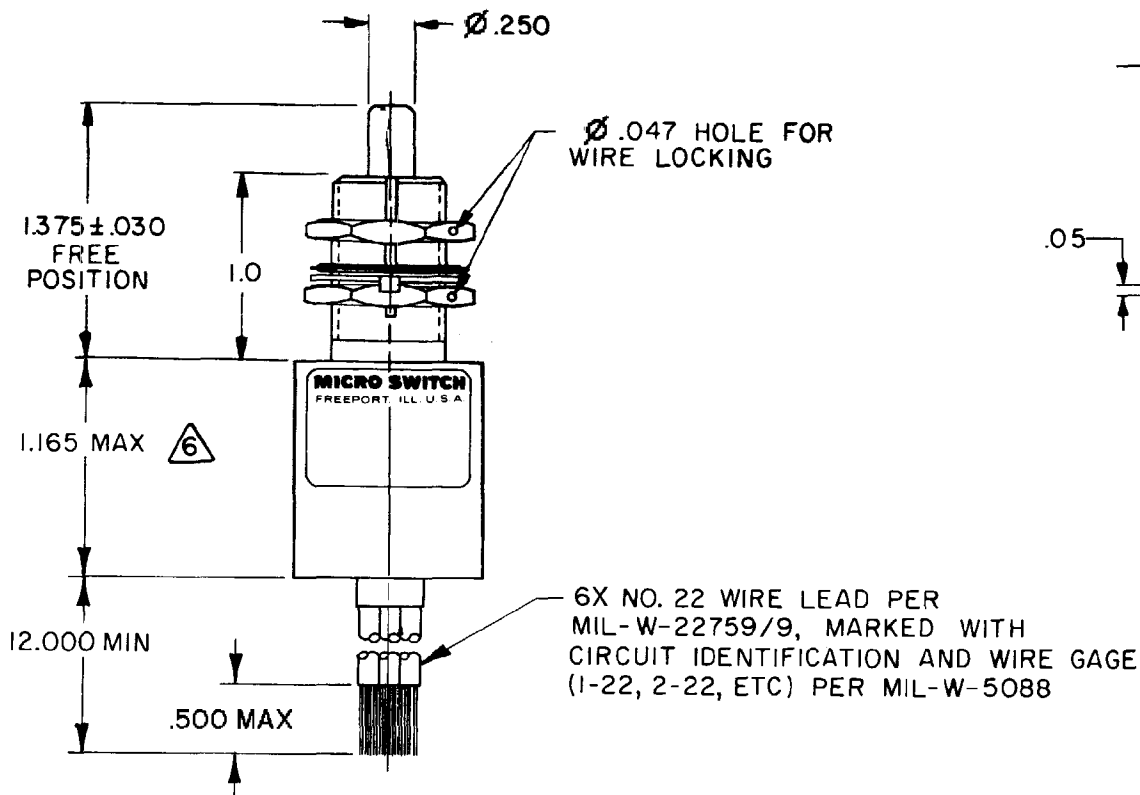
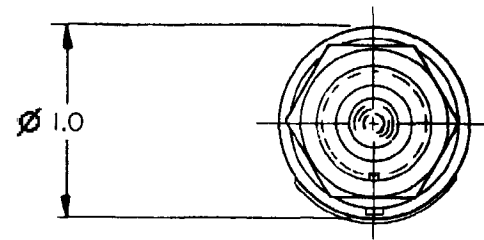
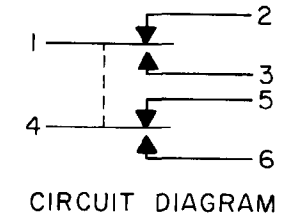


**MICRO SWITCH**  
 FREEPORT ILLINOIS U.S.A.  
 A DIVISION OF HONEYWELL  
 FED. MFG. CODE 91929

**SWITCH - ENCLOSED**

CATALOG LISTING  
**1EN51-1B**

WARNING- THIS PRODUCT IS SUBJECT TO THE U.S. INTERNATIONAL TRAFFIC IN ARMS REGULATIONS (ITAR), AND THE EXPORT CONTROL LAWS OF THE UNITED STATES. TRANSFER OF TECHNICAL DATA PERTAINING TO THIS PRODUCT BY ANY MEANS TO A FOREIGN PERSON PER ITAR DEFINITIONS, WHETHER IN THE UNITED STATES OR ABROAD, WITHOUT A PRIOR EXPORT LICENSE OR OTHER APPROVAL FROM THE U.S. DEPARTMENT OF STATE, IS PROHIBITED.

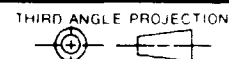


**NOTES**

- 1 - CORROSION RESISTANT STEEL ENCLOSURE
- 2 - SWITCH SEALED PER MIL-PRF-8805 SYMBOL 4
- 3 - CIRCUIT DIAGRAM, CATALOG LISTING, DATE CODE, FED. MFG. CODE AND CUSTOMER PART NO. 10654-1 ARE SHOWN ON NAMEPLATE
- 4 - COINCIDENCE OF OPERATING AND RELEASING POINTS: .010 OF PLUNGER TRAVEL
- 5 - HARDWARE MAY BE PACKAGED UNASSEMBLED PER MIL-PRF-8805
- 6 - THIS DIMENSION EXCLUDES THE RESILIENT POTTING MATERIAL ON THE BOTTOM OF SWITCH

ANSI Y14.5M-1982 APPLIES

THIS DRAWING COVERS A PROPRIETARY ITEM AND IS THE PROPERTY OF MICRO SWITCH, A DIVISION OF HONEYWELL. THIS DRAWING IS NOT TO BE COPIED OR USED WITHOUT THE APPROVAL OF MICRO SWITCH.



SCALE FULL

DO NOT SCALE PRINT

| CHARACTERISTICS       |           |
|-----------------------|-----------|
| OPERATING FORCE       | 6-12 LB   |
| FULL OVERTRAVEL FORCE | 30 LB MAX |
| RELEASE FORCE         | 4 LB MIN  |
| PRETRAVEL             | .040 MAX  |
| DIFFERENTIAL TRAVEL   | .020 MAX  |
| OVERTRAVEL            | .250 MIN  |

| ELECTRICAL DATA     |           |            |
|---------------------|-----------|------------|
| CONTACT ARRANGEMENT |           |            |
| 2X S P D T          |           |            |
| 28 VDC              |           |            |
| LOAD                | SEA LEVEL | 50,000 FT. |
| RES                 | 4         | 4          |
| IND                 | 2         | 2          |
| MOTOR               | 4         |            |
| LAMP                |           |            |

| TOLERANCES   |        |          |          |
|--|--------|----------|----------|
| APPLY TO DESIGN UNITS. CONVERSIONS ARE ONLY FOR REFERENCE. UNLESS NOTED TOLERANCES ARE ± |        |          |          |
| DIM.   | TOL.   | DIM.     | TOL.     |
| mm   | mm/in  | in       | mm/in    |
| NO PLACES  | X      | 1/04     | X        |
| ONE PLACE  | X, X   | 0.4/016  | X, X X   |
| TWO PLACES   | X, XX  | 0.15/006 | X, XX X  |
| THREE PLACES   | X, XXX | 0.13/005 | X, XXX X |
| ANGLES   |        |          |          |

| DESIGN UNITS | SI METRIC                | US CUSTOMARY                        |
|--------------|--------------------------|-------------------------------------|
|              | <input type="checkbox"/> | <input checked="" type="checkbox"/> |

RAW MATERIAL—COMMERCIAL STANDARD  
 MICRO SWITCH STANDARDS APPLY  
 DIMENSIONS ARE TO BE MET BEFORE  
 PROTECTIVE COATINGS ARE APPLIED

WEIGHT 4.0 OZ MAX

**FORMTEK**  
 FO-52851-A  
 DRAWN  
 CEB 9 JAN 79  
 CHECK  
 DWJ 12 JAN 79  
 CHECK  
 JAF 14 DEC 98  
 CHECK  
 PPF 14 DEC 98  
 E C094480  
 DLT 26 MAR 99  
 F 0006651  
 TCC-AP 27 AUG 04  
 D CO-94005  
 T J O DEC 89  
 C C066712  
 J A P 5 AUG 80  
 B C047573  
 C E B 9 JAN 79  
 A 44351 PART 5  
 REVISIONS  
 ISSUE 21  
 DRAWING NUMBER  
**M** 1EN51-1B  
 PAGE 1 OF 1  
 RELEASE NO. PR-432  
 REPLACES