

MICRO SWITCH

A DIVISION OF MINNEAPOLIS-HONEYWELL REGULATOR COMPANY
FREEPORT, ILLINOIS

FED. MFR. CODE 91929

GUARD

CATALOG LISTING
15PA17

15PA17

M

DRAWING NUMBER

ISSUE

REPLACES

SR 7979

RELEASE NO.

15 DEC 58

KAC

CHECK

16 DEC 58

RFB

CHECK

17 DEC 58

GCH

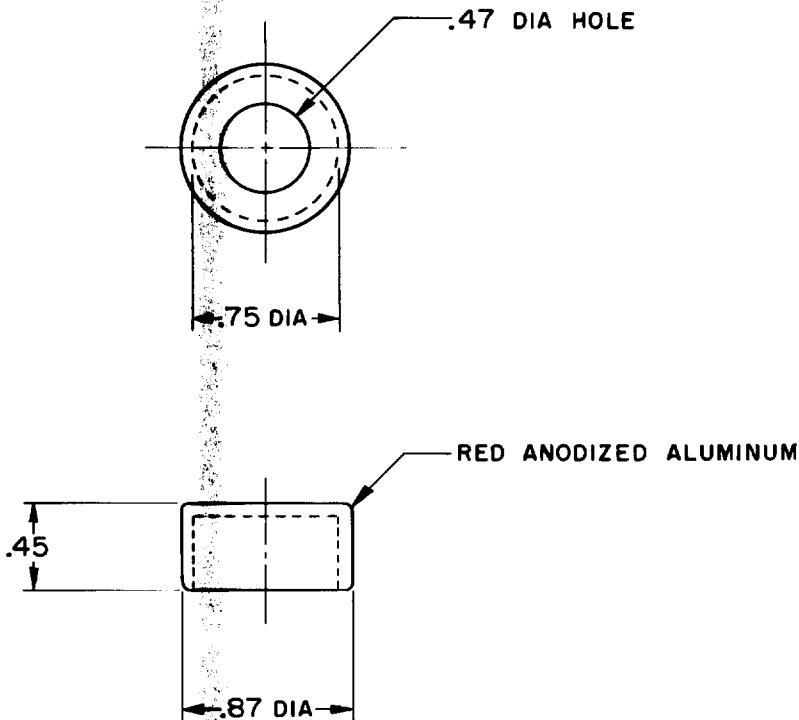
CHECK

58

DEC 58

OMW

DRAWN



NOTE -

1 - GUARD DESIGNED FOR USE WITH ANY UNLIGHTED "PB" TYPE SWITCH HAVING .47 DIA BUSHING

THIS DRAWING COVERS A PROPRIETARY ITEM AND IS THE PROPERTY OF MICRO SWITCH, A DIVISION OF MINNEAPOLIS-HONEYWELL REGULATOR CO. THIS DRAWING IS NOT TO BE COPIED OR USED WITHOUT THE APPROVAL OF MICRO SWITCH.

CHARACTERISTICS

ELECTRICAL DATA

SCALE - FULL

CONTACT ARRANGEMENT

BREAK DISTANCE

DO NOT SCALE PRINT

UNLESS OTHERWISE SPECIFIED DIMENSIONS ARE IN INCHES

TOLERANCES ARE:

ONE PLACE (.0) ±.030
TWO PLACE (.00) ±.015
THREE PLACE (.000) ±.005
ANGLES ±

WEIGHT