

MICRO SWITCH
a Honeywell Division

FED. MFG. CODE 91929

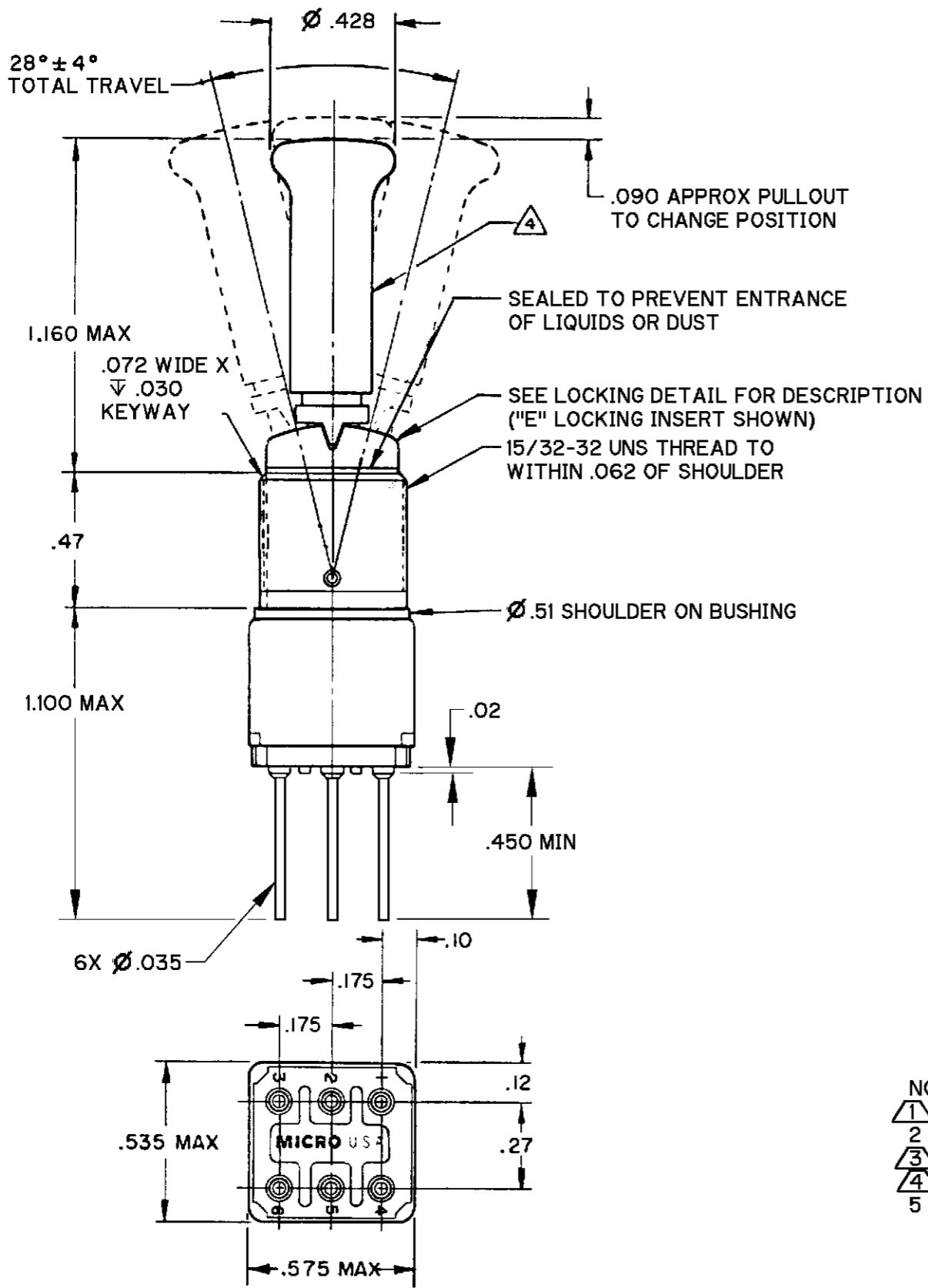
SWITCH-TOGGLE

CATALOG LISTING
12TW870 SERIES
CHART 2

THIS DRAWING COVERS A PROPRIETARY ITEM AND IS THE PROPERTY OF MICRO SWITCH, A DIVISION OF HONEYWELL. THIS DRAWING IS NOT TO BE COPIED OR USED WITHOUT THE APPROVAL OF MICRO SWITCH

CATALOG LISTING	RECOMMENDED LOCKING COMBINATIONS FOR CONFIGURATION SEE LETTERED DETAILS	CIRCUIT WITH TOGGLE IN			ELECTRICAL DATA L117 5A 125 VAC
		EXTREME POSITION KEYWAY SIDE 2-1 5-4	CENTER	EXTREME POSITION OPPOSITE KEYWAY 2-3 5-6	
12TW870-1	A,B,D,E,F,G,H,J,K,L,M,N,P	ON	OFF	ON	
12TW870-3	D,F,G	ON	NONE	ON	
12TW870-5	E,F,K,L,M,N	MOM ON	OFF	ON	
12TW870-7	E,L,N,R	MOM ON	OFF	MOM ON	
12TW870-8	F	MOM ON	NONE	ON	
12TW870-2	D,F,G	OFF	NONE	ON	

CATALOG LISTING
12TW870 SERIES CHART 2
 PAGE 1 OF 1
 RELEASE NO. PR-23095 REPLACES
 CHECK
 REVISIONS
 A PR-23095 TSM 12 JAN 98
 CHECK
 12 JAN 98
 TSM
 CHECK
 12 JAN 98
 TSM
 DRAWN
 12 JAN 98
 TSM



"A" LOCKED IN THREE POSITIONS	"B" LOCKED IN CENTER AND EXTREME POSITION (KEYWAY SIDE)	"D" LOCKED OUT OF CENTER POSITION	"E" LOCKED IN CENTER POSITION	"F" LOCKED IN EXTREME POSITION (OPPOSITE KEYWAY)	"G" LOCKED IN EXTREME POSITION (KEYWAY SIDE)	
"H" LOCKED OUT OF CENTER AND EXTREME POSITION (KEYWAY SIDE)	"J" LOCKED OUT OF CENTER AND EXTREME POSITION (OPPOSITE KEYWAY)	"K" LOCKED IN CENTER AND EXTREME POSITION (OPPOSITE KEYWAY)	"L" LOCKED OUT OF EXTREME POSITION (KEYWAY SIDE)	"M" LOCKED OUT OF AND INTO EXTREME POSITION (OPPOSITE KEYWAY)	"N" LOCKED OUT OF EXTREME POSITION (OPPOSITE KEYWAY)	
"P" LOCKED OUT OF AND INTO EXTREME POSITION (KEYWAY SIDE)	 $\varnothing .47$ $(.018)$ $\varnothing .60$ LOCKWASHER (PART NO. TS-10013)			 DIMENSIONS TO FIT KEYWAY IN BUSHING $\varnothing .72$ $\varnothing .72$ $\varnothing .60$ $.392$ $.05$ $.110$ $.040$ LOCKING RING (PART NO. EN-12449)		 15/32-32 UNS THREAD $\varnothing .56$ $.078$ HEX NUT (2X PART NO. TL-10632)
"R" 						

- NOTES**
- ① FURNISHED UNASSEMBLED
 - ② - TERMINALS ARE PLATED FOR SOLDERING
 - ③ SUFFIX MUST BE ADDED FOR DESIRED TYPE TOGGLE
 - ④ MATTE FINISH
 - ⑤ - GOLD PLATED CONTACTS

THIRD ANGLE PROJECTION

SCALE 2:1

DO NOT SCALE PRINT

UNLESS OTHERWISE SPECIFIED TOLERANCES ARE

ONE PLACE	(.0)	$\pm .030$
TWO PLACE	(.00)	$\pm .015$
THREE PLACE	(.000)	$\pm .005$
ANGLES		\pm

WEIGHT .045 LB MAX