



**MICRO SWITCH**  
 FREEPORT ILLINOIS U.S.A.  
 A DIVISION OF HONEYWELL

FED. MFG. CODE 91929

# SWITCH - TOGGLE

CATALOG LISTING

## 12TS95-10

12TS95-10

M

DRAWING NUMBER

ISSUE

10

REVISIONS

A	C080402
	JALA
	11 APR 95
B	0001107
	KED
	11AUG03

REPLACES

RELEASE NO. SR 12312

CHECK

CHECK

13 MAY '66

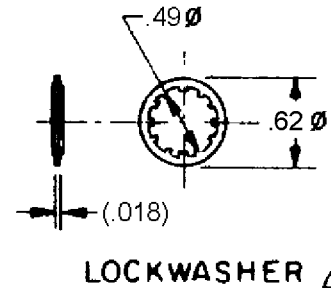
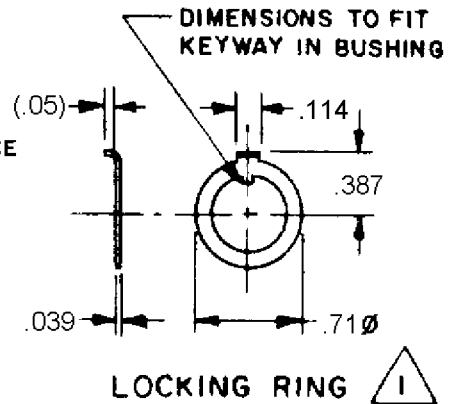
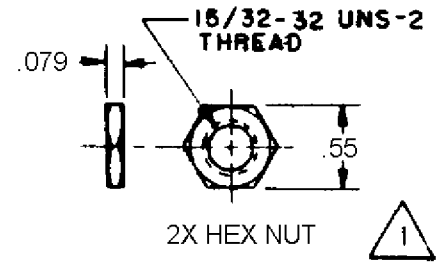
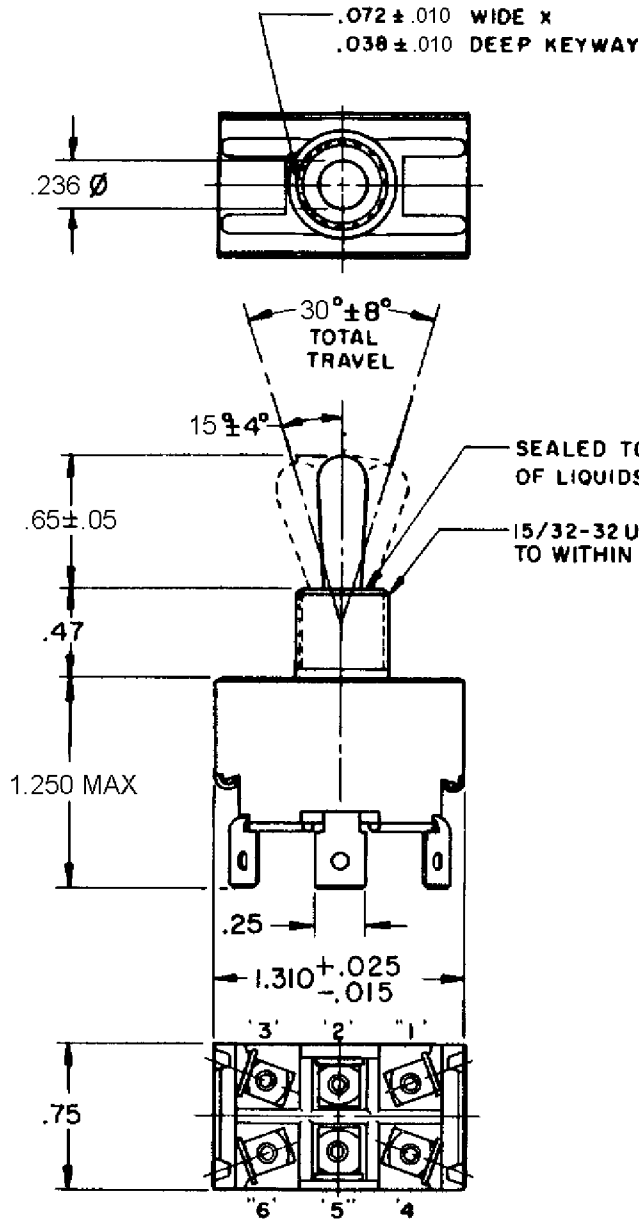
LSD

CHECK

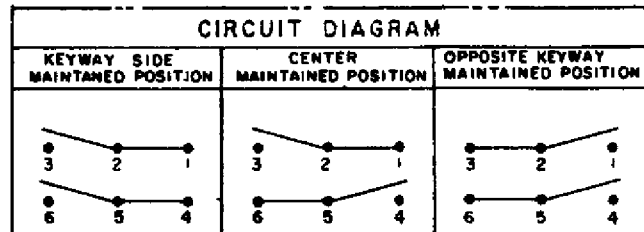
66 MAY 13

RASTER

DRAWN



NOTE  
 FURNISHED UNASSEMBLED



THIS DRAWING COVERS A PROPRIETARY ITEM AND IS THE PROPERTY OF MICRO SWITCH, A DIVISION OF HONEYWELL THIS DRAWING IS NOT TO BE COPIED OR USED WITHOUT THE APPROVAL OF MICRO SWITCH

CHARACTERISTICS

ELECTRICAL DATA

SCALE FULL

CONTACT ARRANGEMENT

DO NOT SCALE PRINT

10A 277VAC, 20A 125VAC  
 1.5HP 125-250 VAC



UNLESS OTHERWISE NOTED

DIMENSIONS ARE IN INCHES

TOLERANCES ARE:

ONE PLACE (.0)	± .030
TWO PLACE (.00)	± .015
THREE PLACE (.000)	± .005
ANGLES	±

WEIGHT .10 LB MAX